

Introducing HDL Lighting



CONTENTS

- HDL Lighting
- Common features
- SUN Series
- MOON Series
- STAR Series





HDL Lighting

Undoubtedly, lighting is an essential part of the living space. Good lighting design can add good credit to the interior design. And a reasonable design can even affect the occupants biologically and psychologically in a positive and healthy way.

HDL has released three series of lights for different usages to meet users' requirements. Users can adjust the lights conveniently with HDL smart systems.



SUN

Recessed Adjustable
Anti-glare Spotlight



MOON

Recessed Anti-glare
Linear Down-light



STAR

48V Low Voltage Magnetic
Linear System

Multiple modes of lighting control

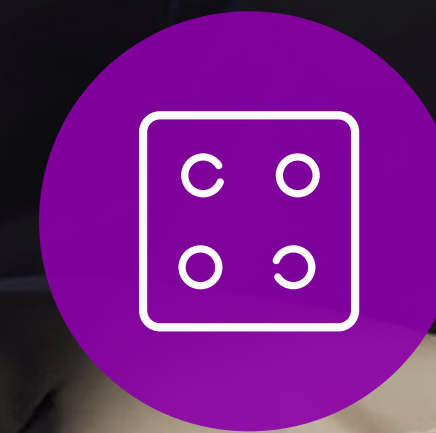
All the lights be can equipped with HDL smart control system to realized multiple modes of lighting control. Users are able to control the On/Off, brightness, colors and color temperature of the lights.



Voice control



App control



Panel control

Different color temperature available for you to choose from

There is always a color that suits best your living space. HDL smart system enables 2700K-6500K color temperature adjustment.



Warm light: 2700K, 3000K

This color helps create a loving, warm atmosphere and makes people feel warm, which is suitable for the bedroom.



Warm white: 3500K

This color is close to the sunlight about one hour after sunrise, which can better bring out the true colors and textures of any objects exposed to it, suitable for the dining room and wardrobe.



Natural light: 4000K

This color is close to natural light, the 4000K color temperature makes people feel warm while wide awake, suitable for the study and kitchen.



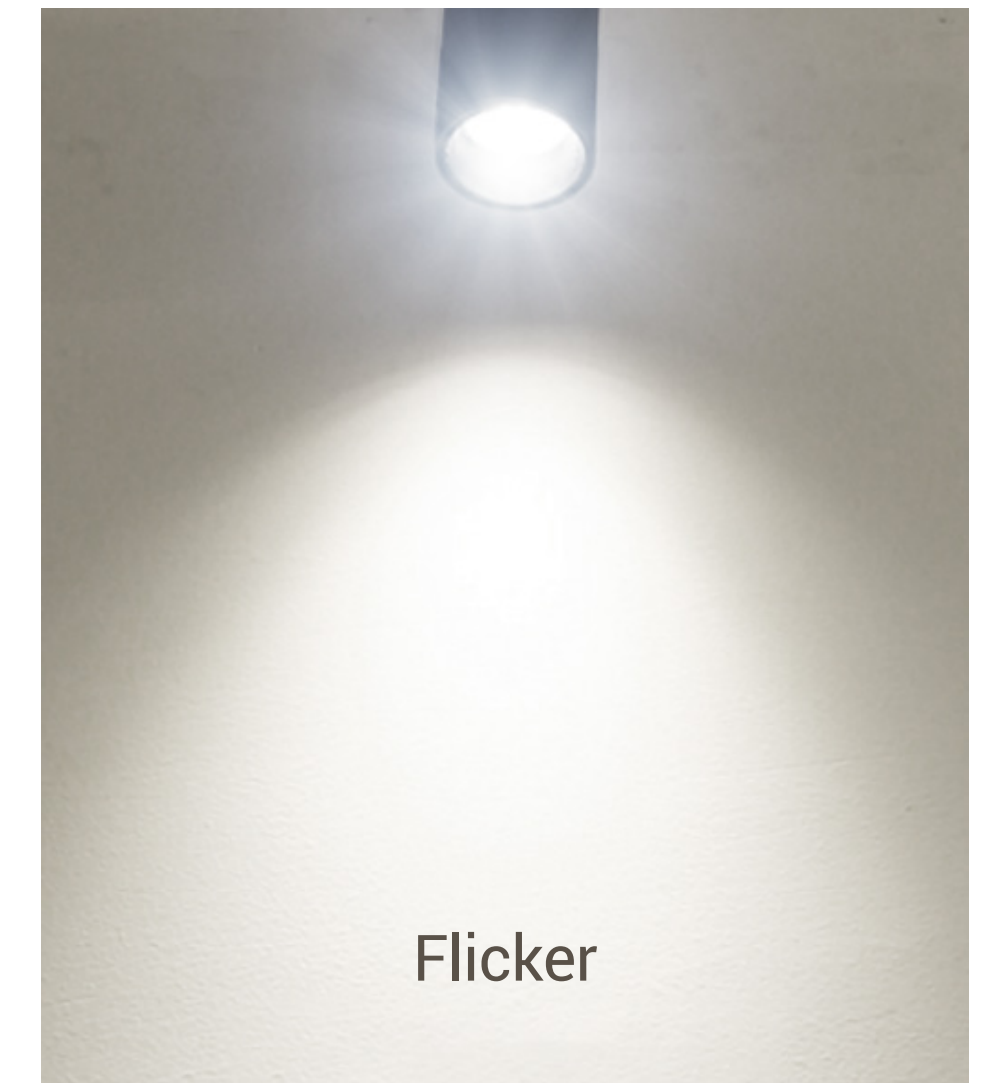
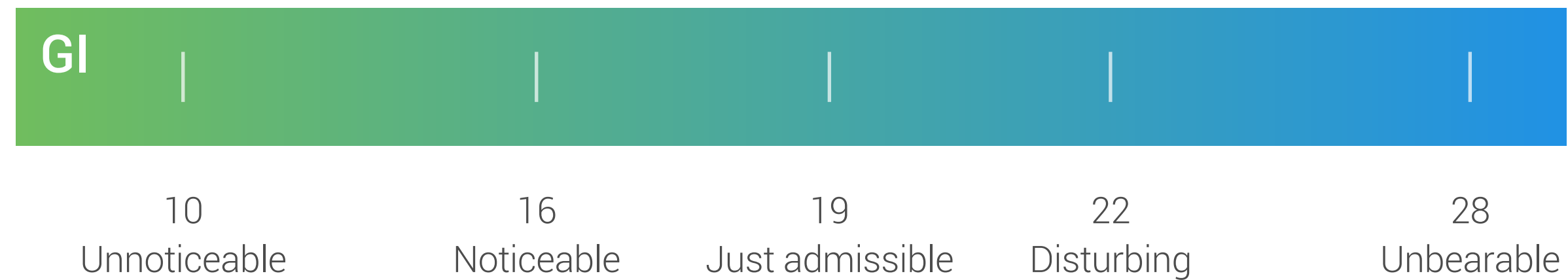
White: 5000K

This color is close to the sunlight two to three hours after sunrise. It is a "purer" white, stronger and more vivid to the users, suitable for the parlor and bathroom.

High glare-proof level

Unified Glare Rating (UGR) measures how comfortable people feel about indoor lighting. While UGR <19 is the industrial standard, HDL lights can achieve a level of UGR <10.

UGR < 10



Conceal the luminaire and cut off the glare

The lights inset deep the LED chip, keep it away from opening, and control the lighting accurately to prevent glare.

Black light technology

The lights install various reflectors for secondary filtering of glare, ensuring "visible light from invisible lamp". (Not suitable for STAR Series)



**Flicker-free. It will not be
harmful to the eyes.**



Restore true colors to everything in the space

Ra>90 R9 higher

High color rendering, reproduce
the true natural color



Ra< 70 R9 lower

Low color rendering, fail to show
objects in their true colors



Strong heat dissipation, durable construction

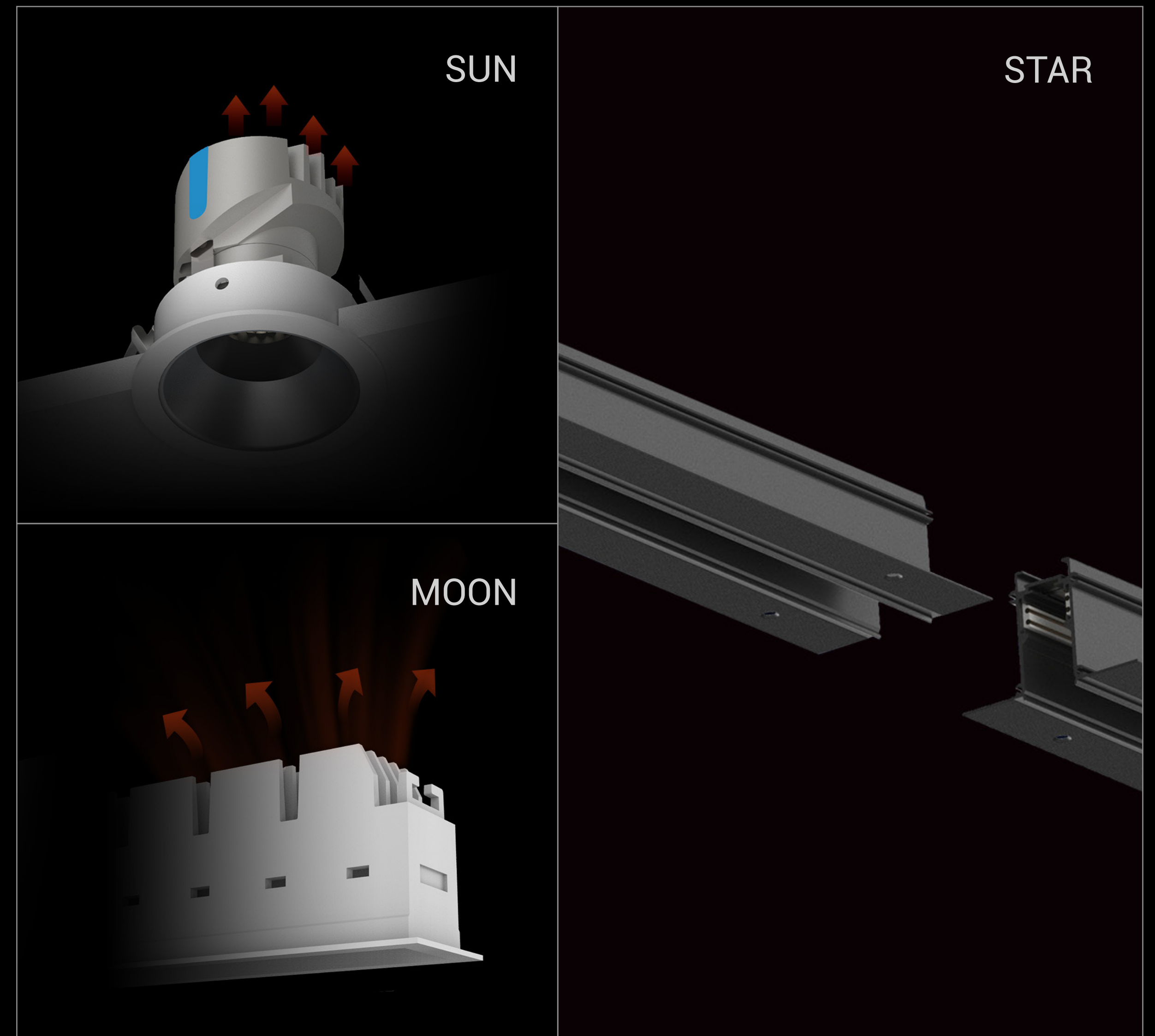
SUN / MOON

Thermal convection fin design for faster heat dissipation, slower luminance attenuation, and longer service life

STAR

6060 aluminum profile extrusion

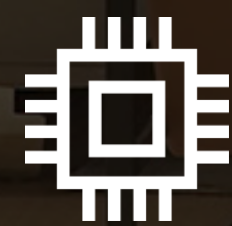
Excellent heat dissipation, durable construction, graceful and handsome design



SUN Series



UGR<10



LED chip: CITIZEN



SDCM<3



IP 20



Lifetime: 50000hrs

Simple Design

The Sun Series have the narrow trim & trim-free design, which are handsome and elegant.



Narrow trim



No trim

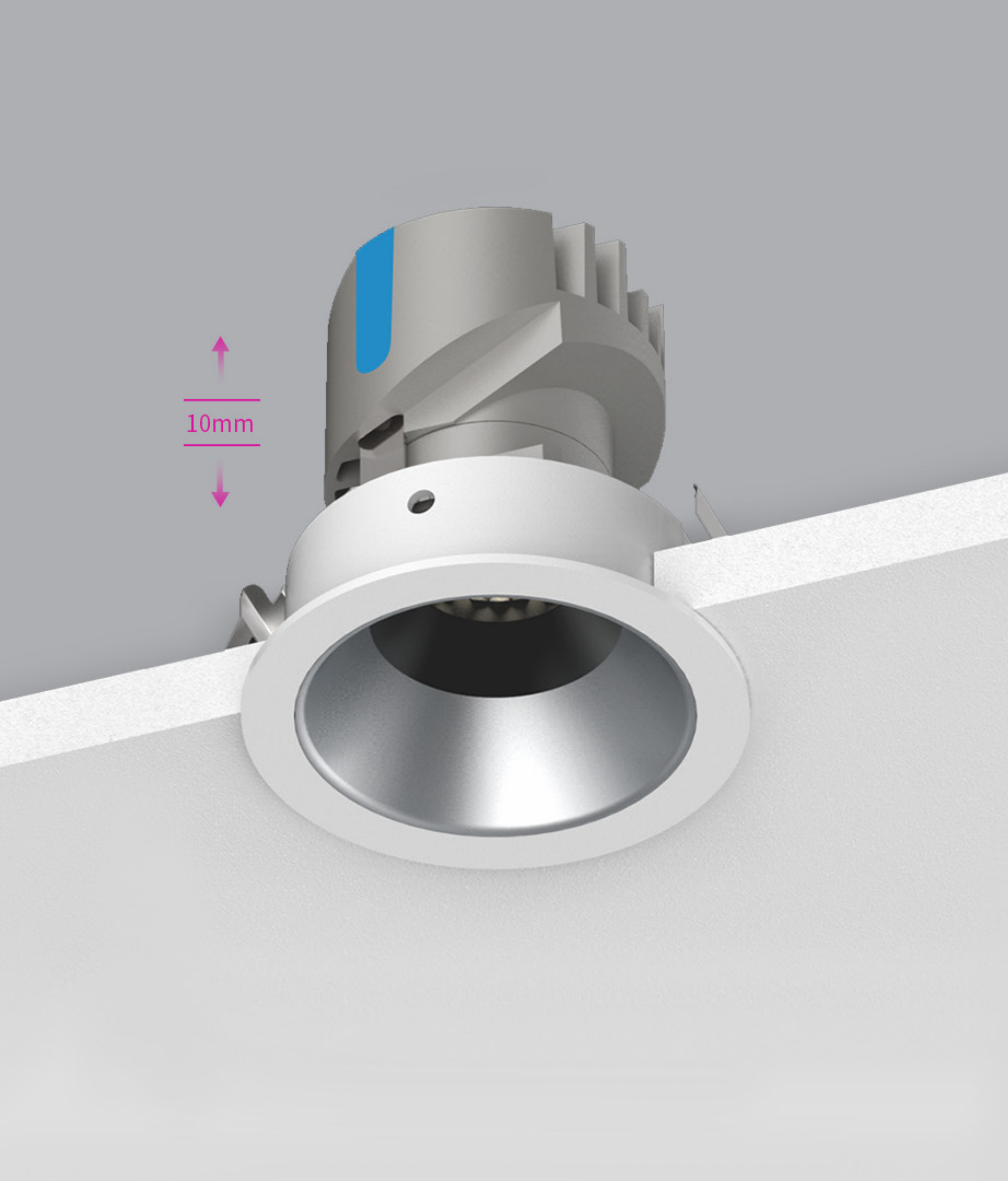
Free adjustment for accurate projection

Let the beam bring life into every corner of your home.

Horizontal rotation: 355°

Vertical adjustment: 30°

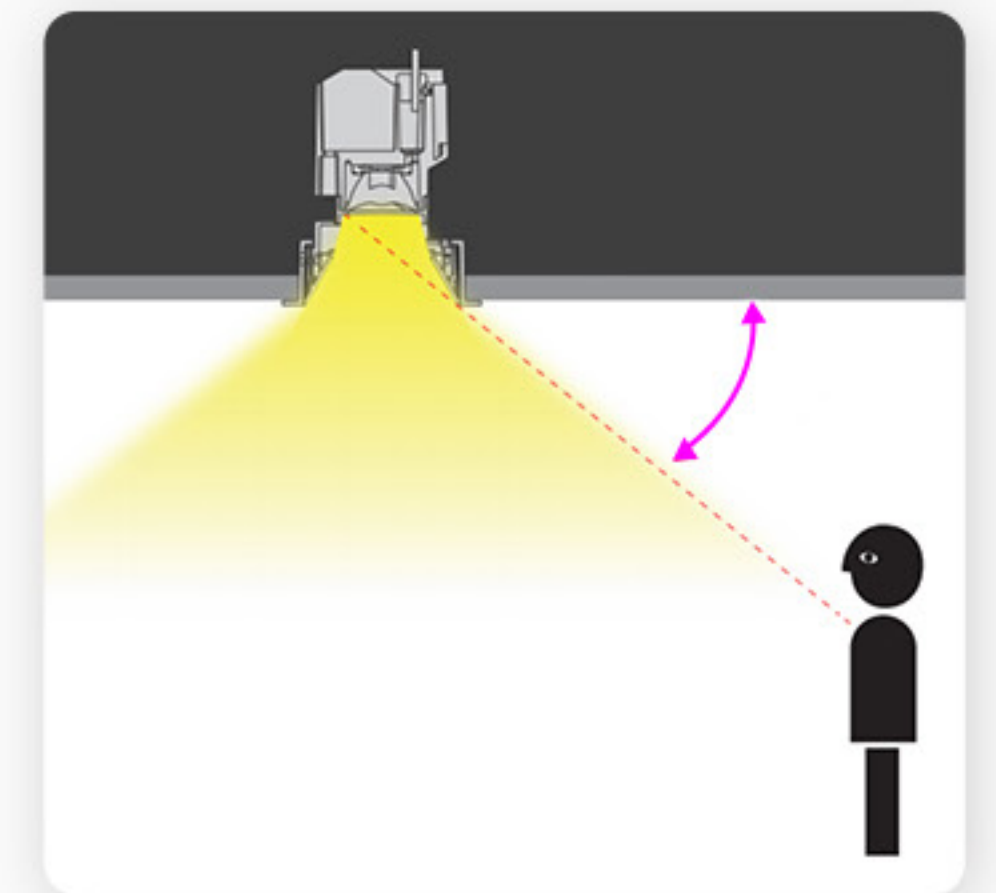
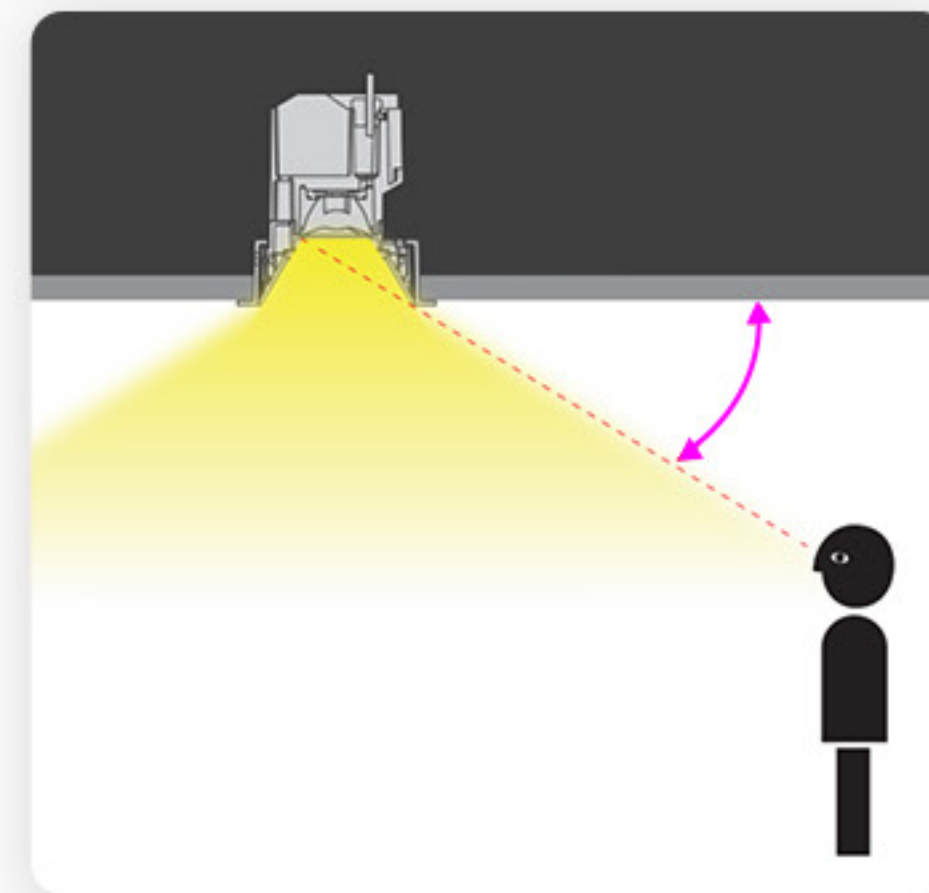




Adjustable height for various installation scenarios

The spotlight is adjustable in height to avoid glare and to match the ceiling conditions, suitable for various installation scenarios.

Cut-off angle



Layered shadow and light for a space of classy life

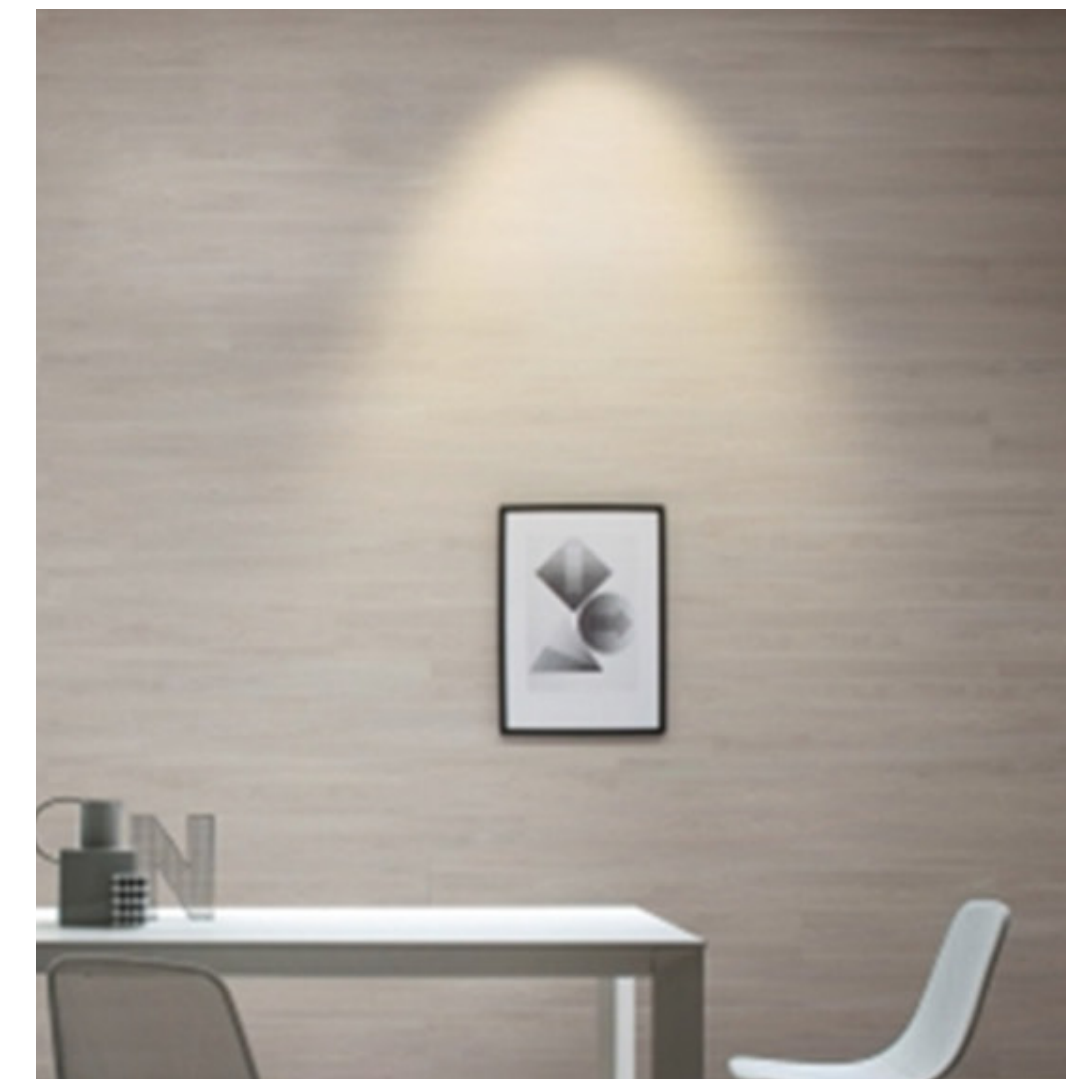
There are three beam angles for different application scenarios, which can create an ideal lighting effect and add a unique touch of aesthetics to space.



18°



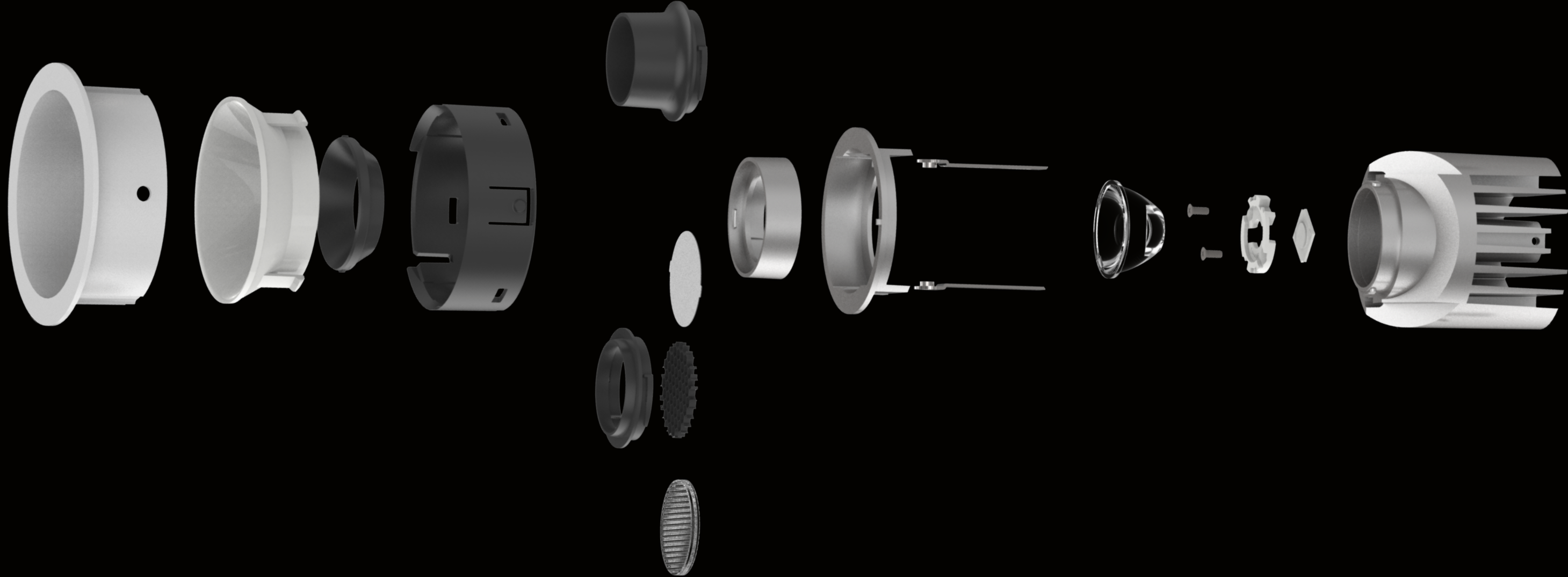
36°



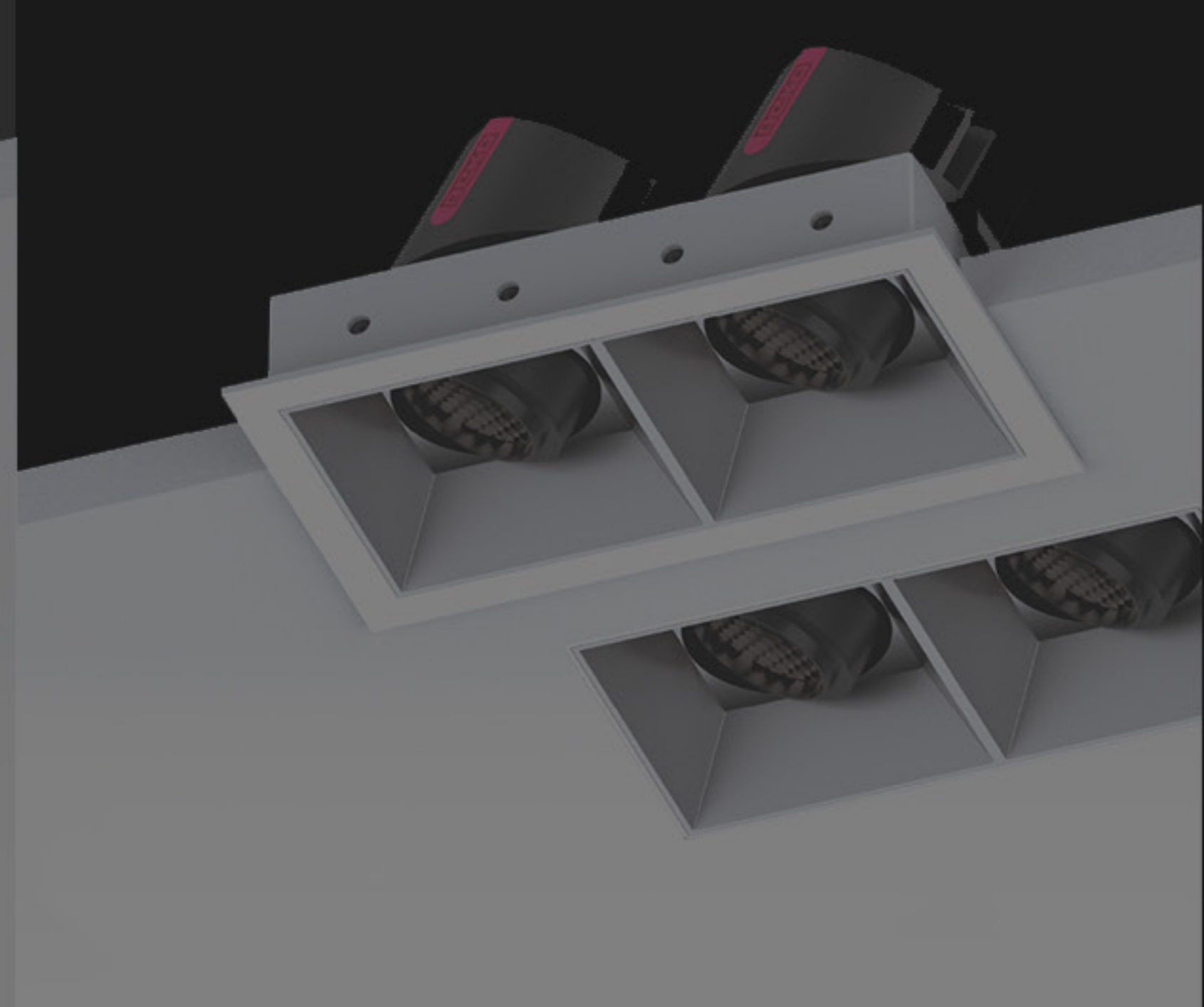
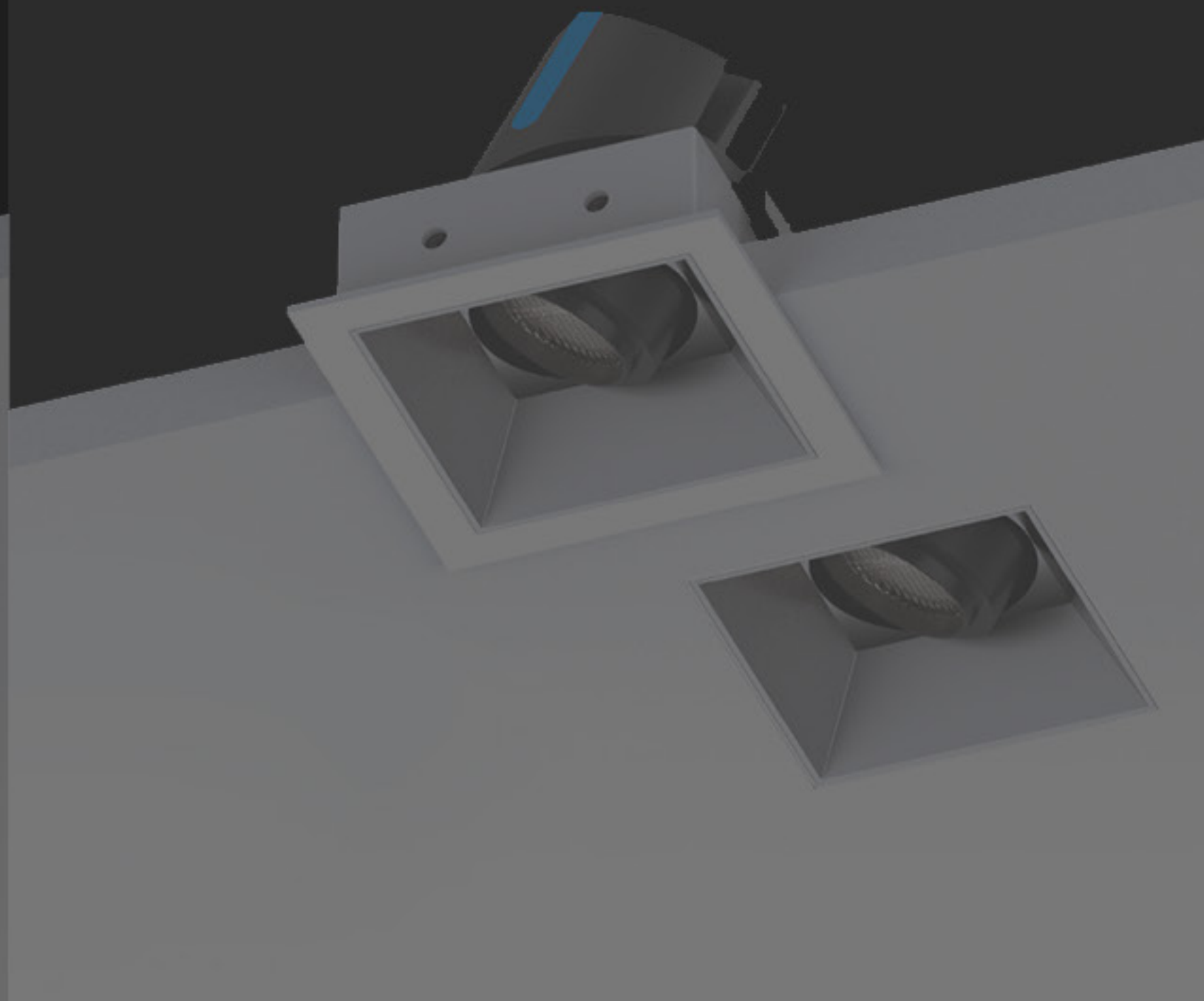
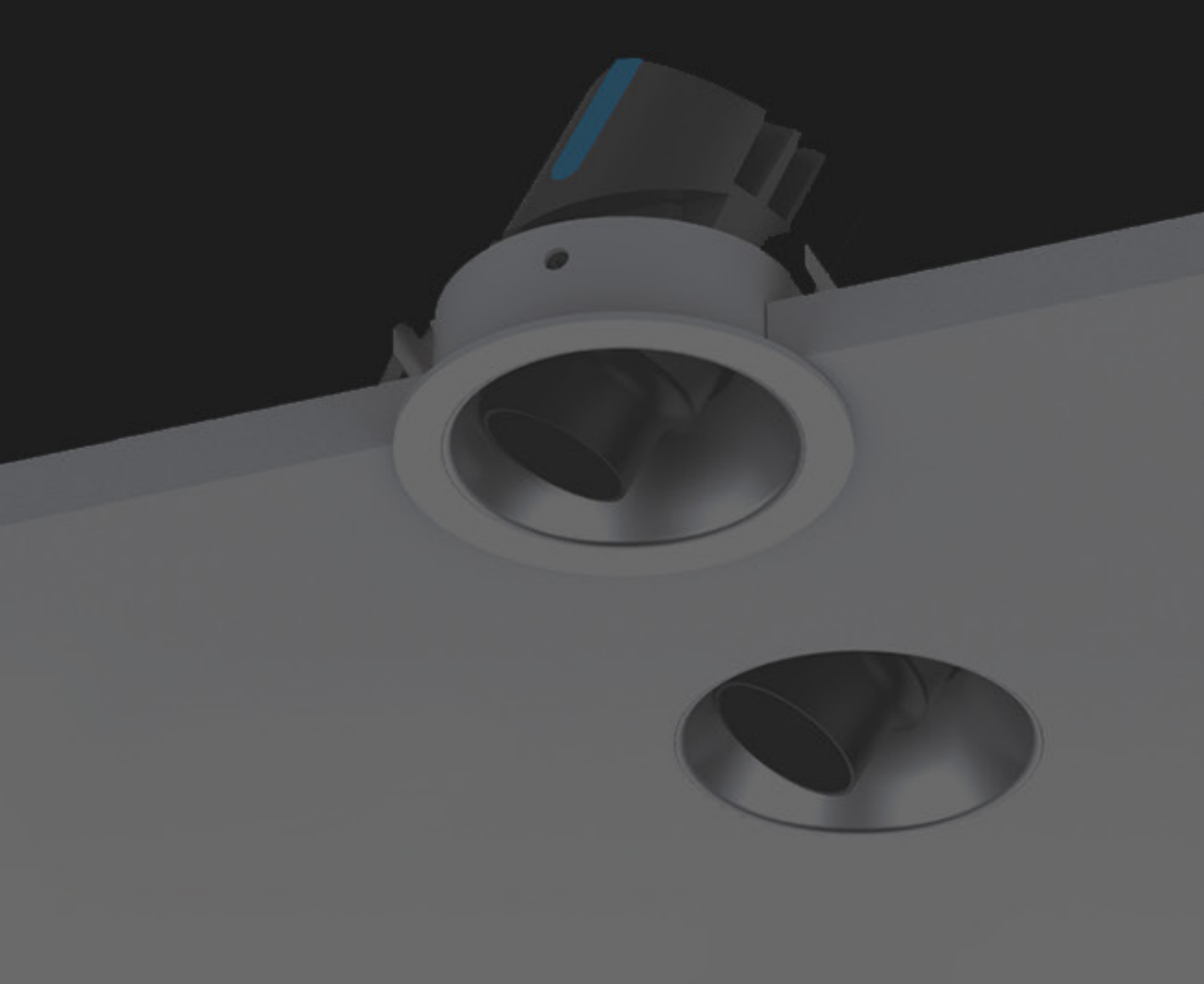
50°

Easy and convenient installation

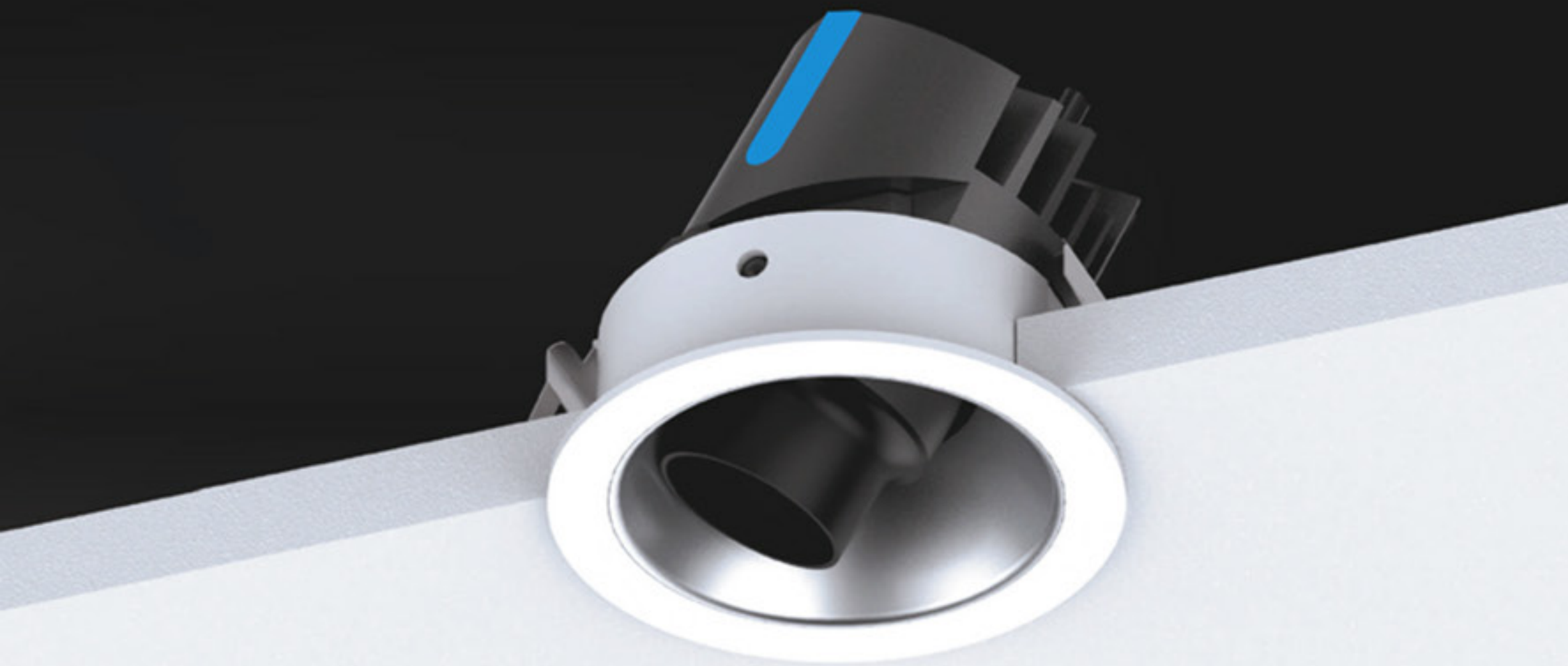
The removable front opening makes the installation and maintenance easier and engineering efficiency higher.



Different cutouts for different spaces



Round

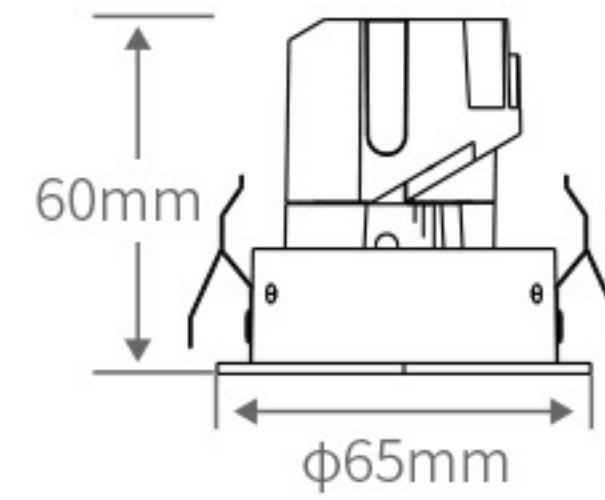


Narrow trim

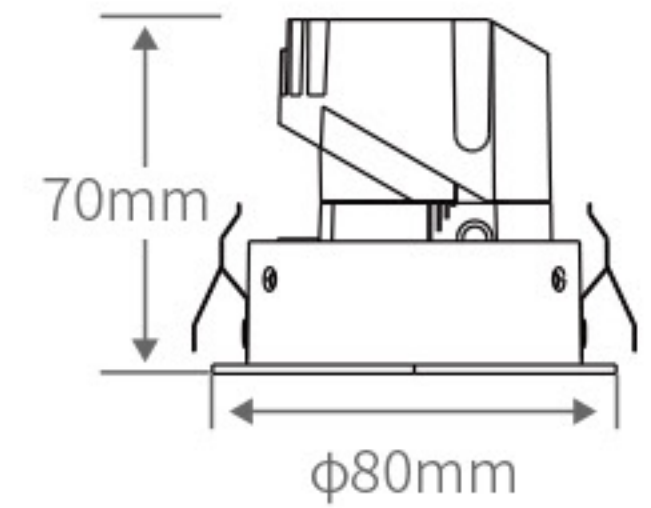


No trim

Narrow trim:

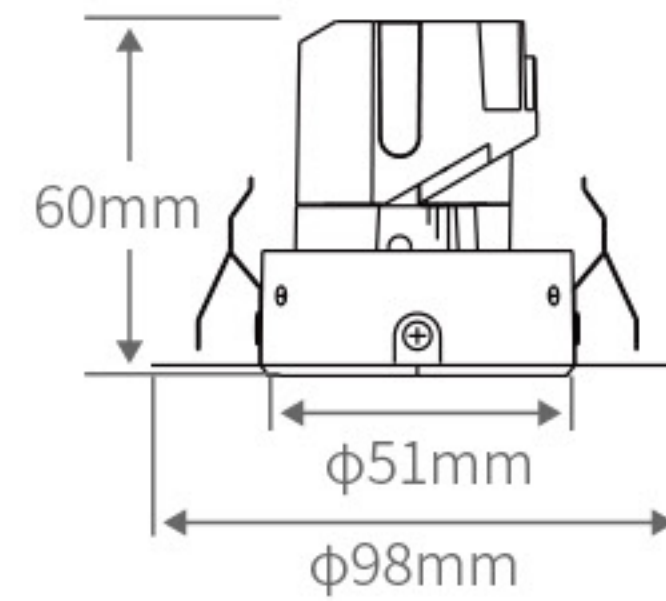


Cutout: φ55mm

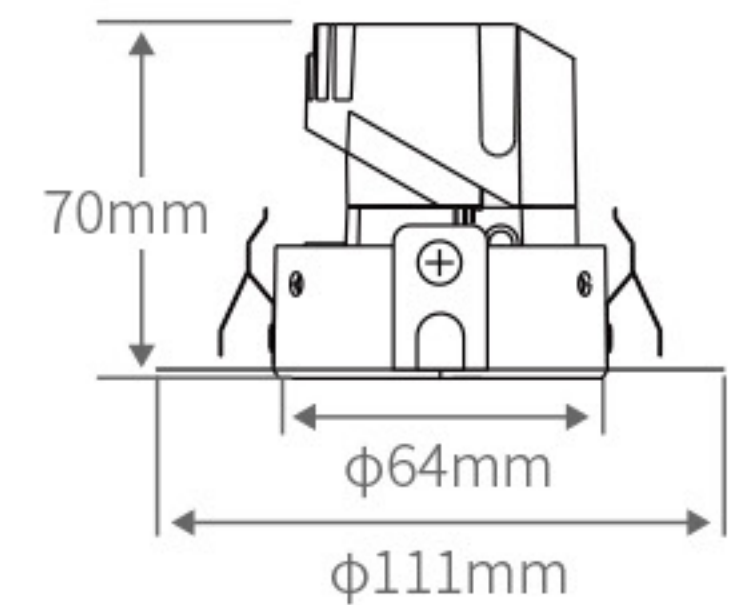


Cutout: φ68mm

No trim:

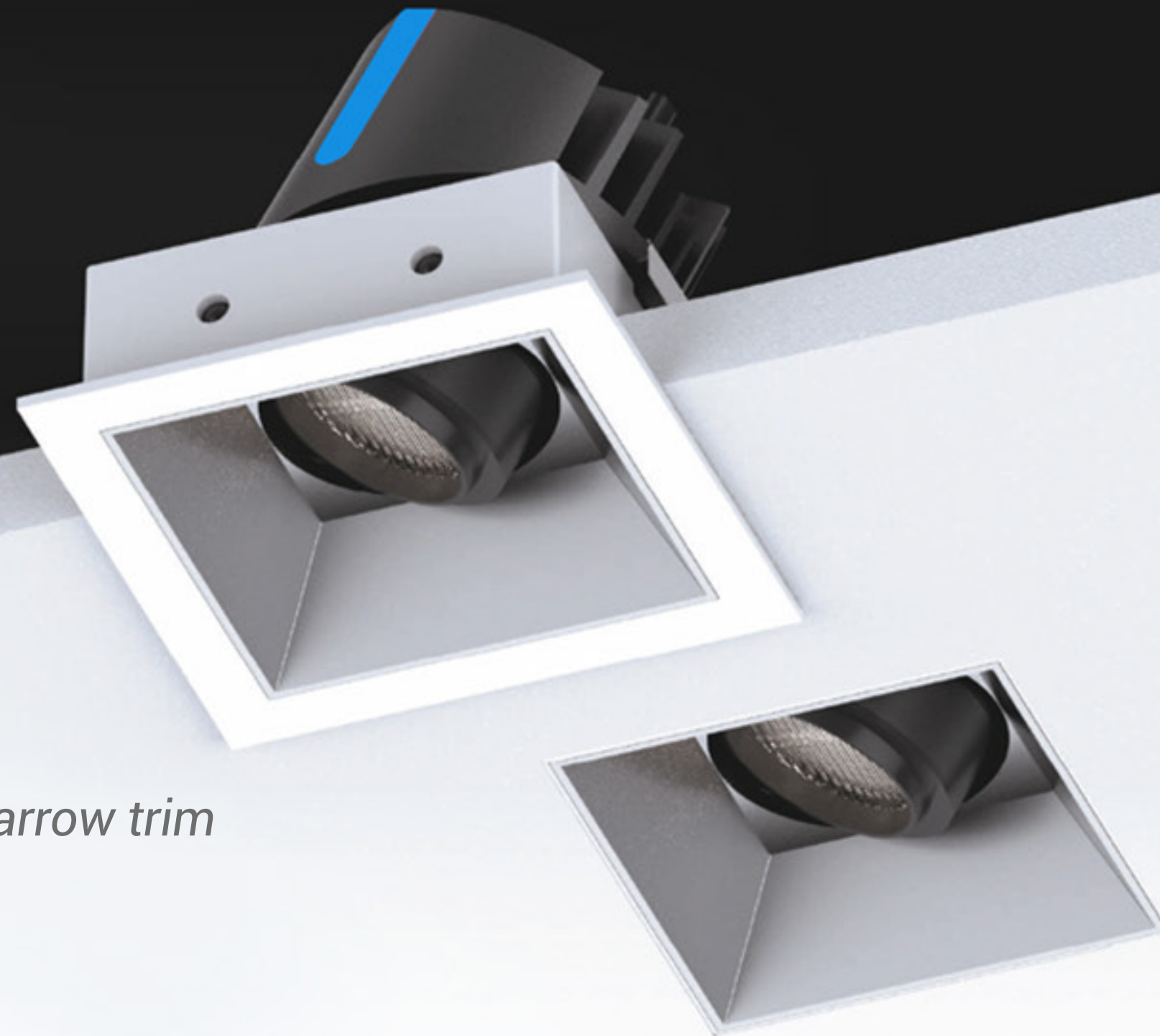


Cutout: φ59mm



Cutout: φ72mm

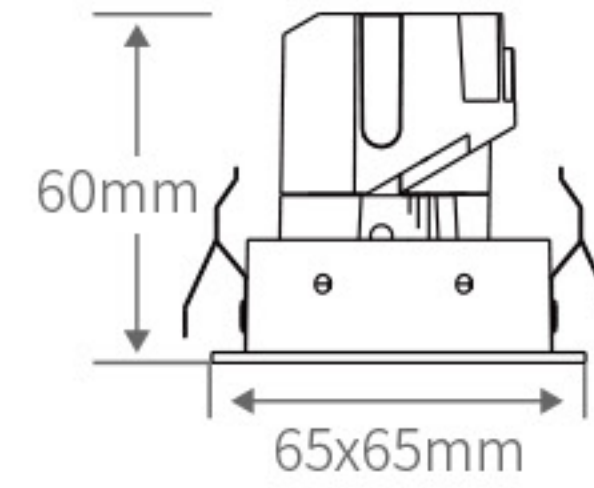
1-head accent light



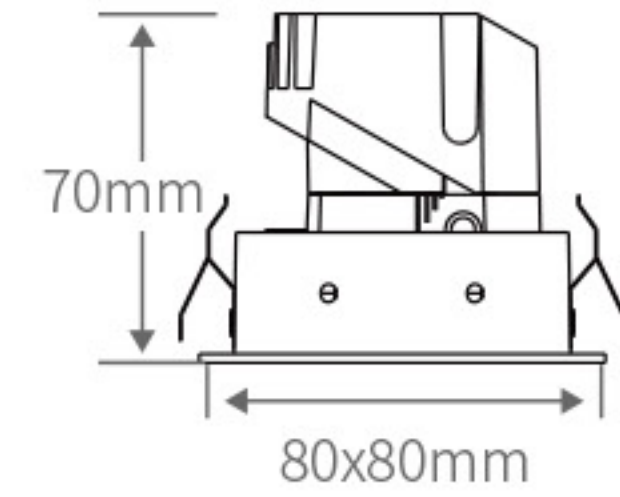
Narrow trim

No trim

Narrow trim:

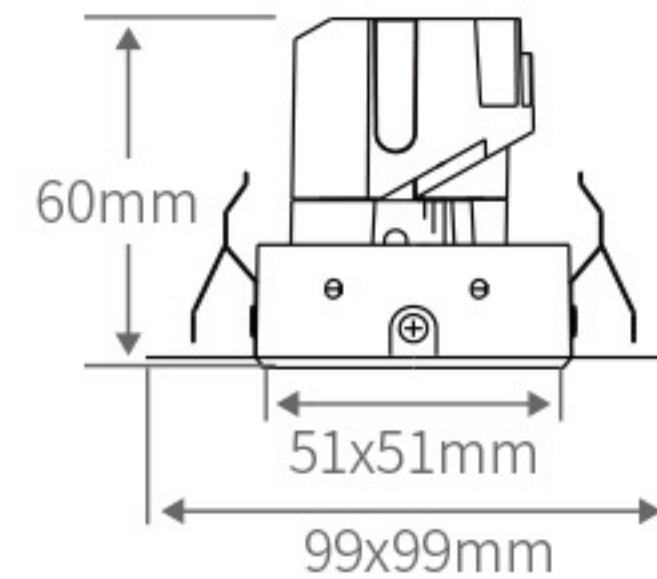


Cutout: 55x55mm

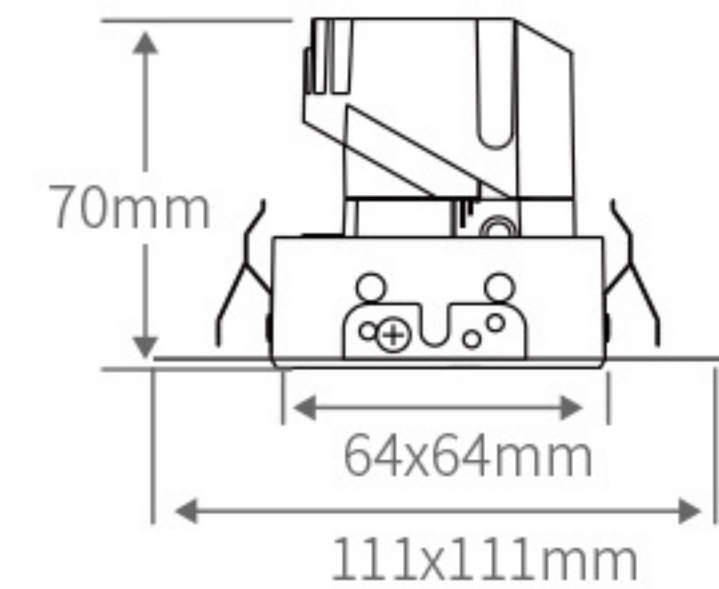


Cutout: 68x68mm

No trim:

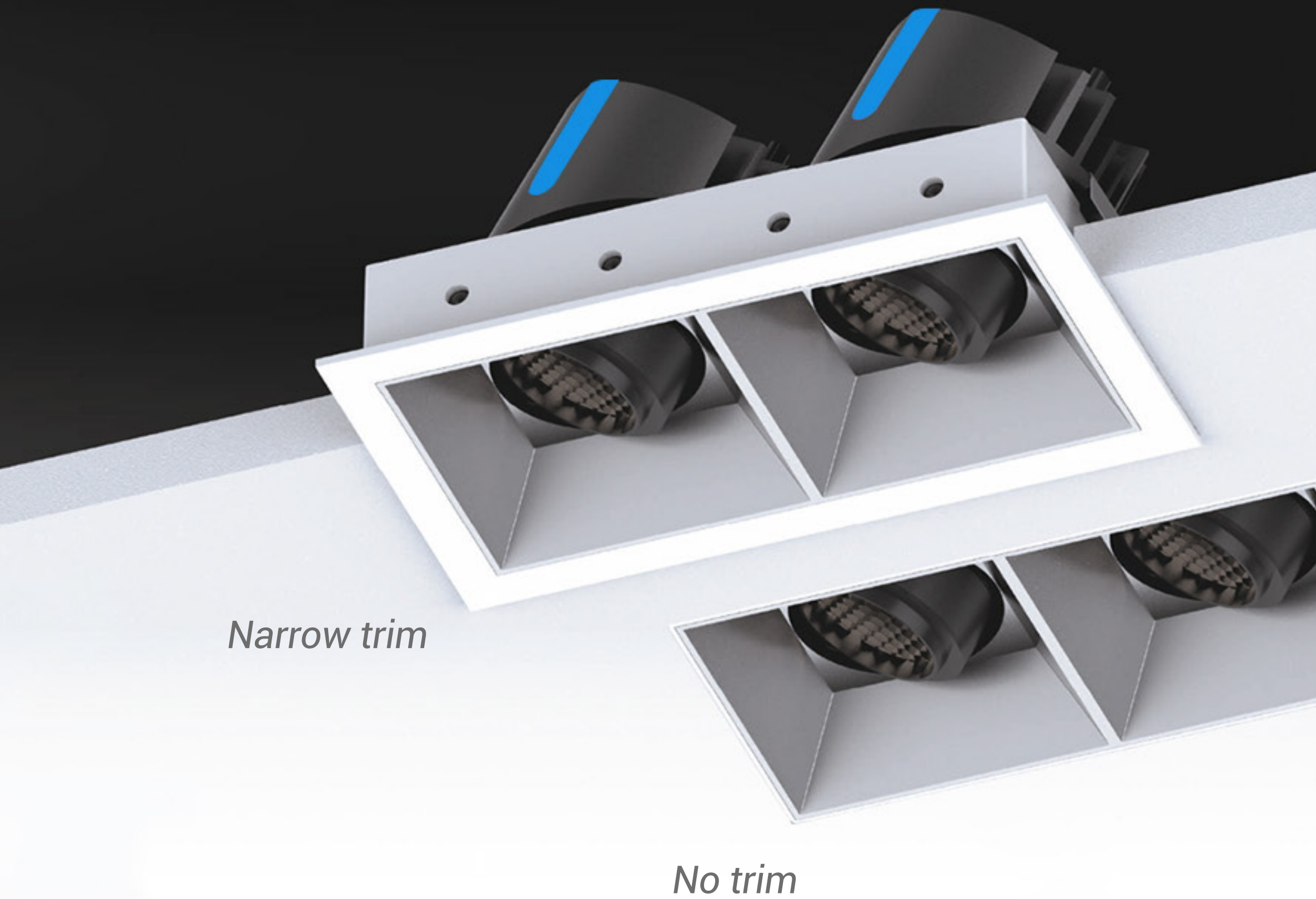


Cutout: 59x59mm

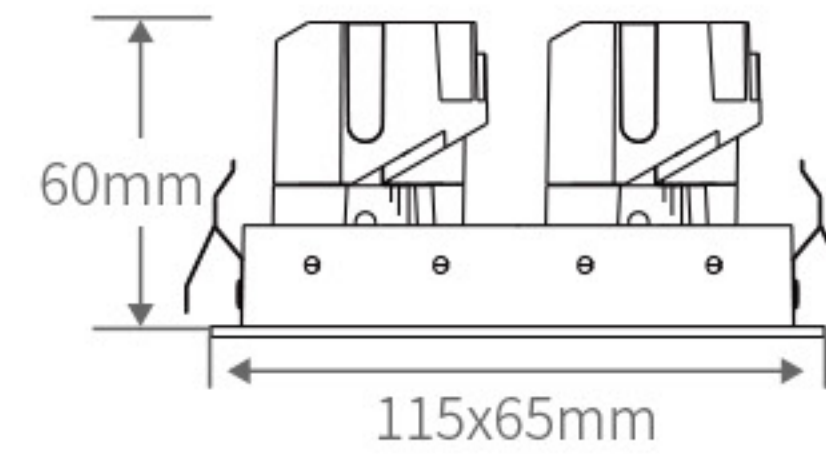


Cutout: 72x72mm

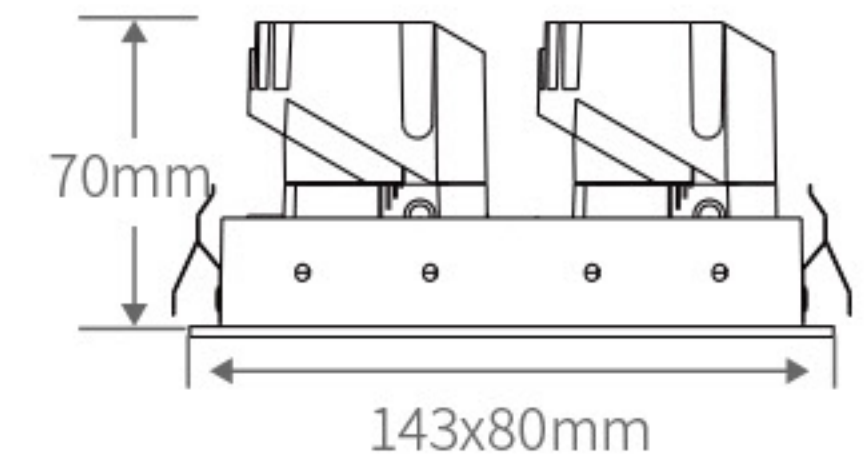
2-head accent light



Narrow trim:

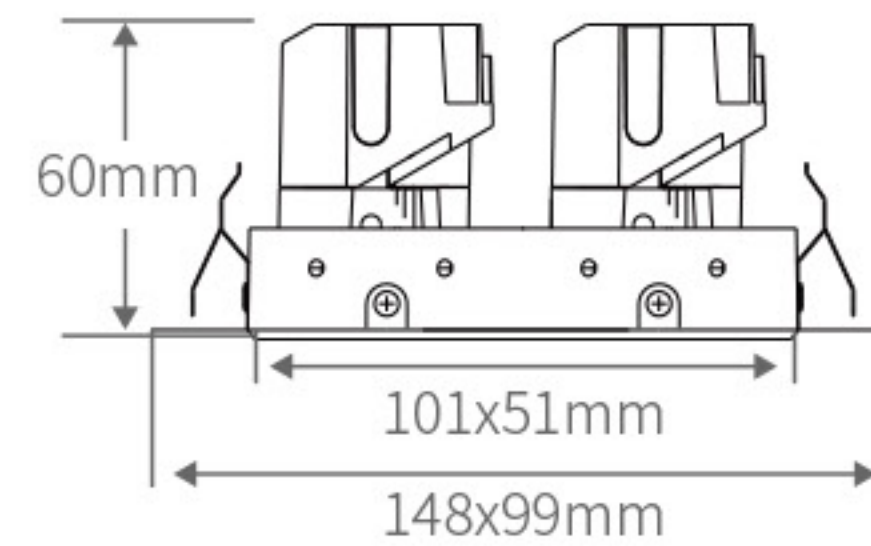


Cutout: 106x55mm

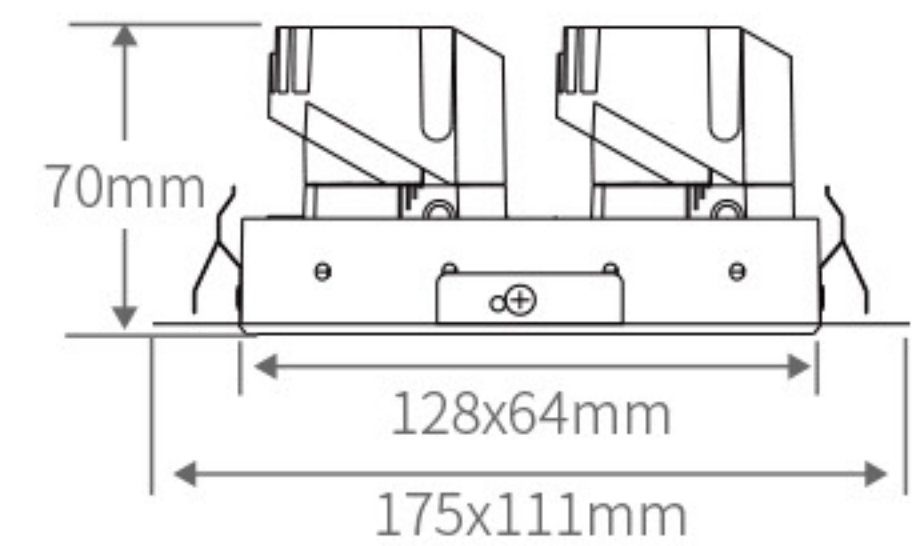


Cutout: 132x68mm

No trim:

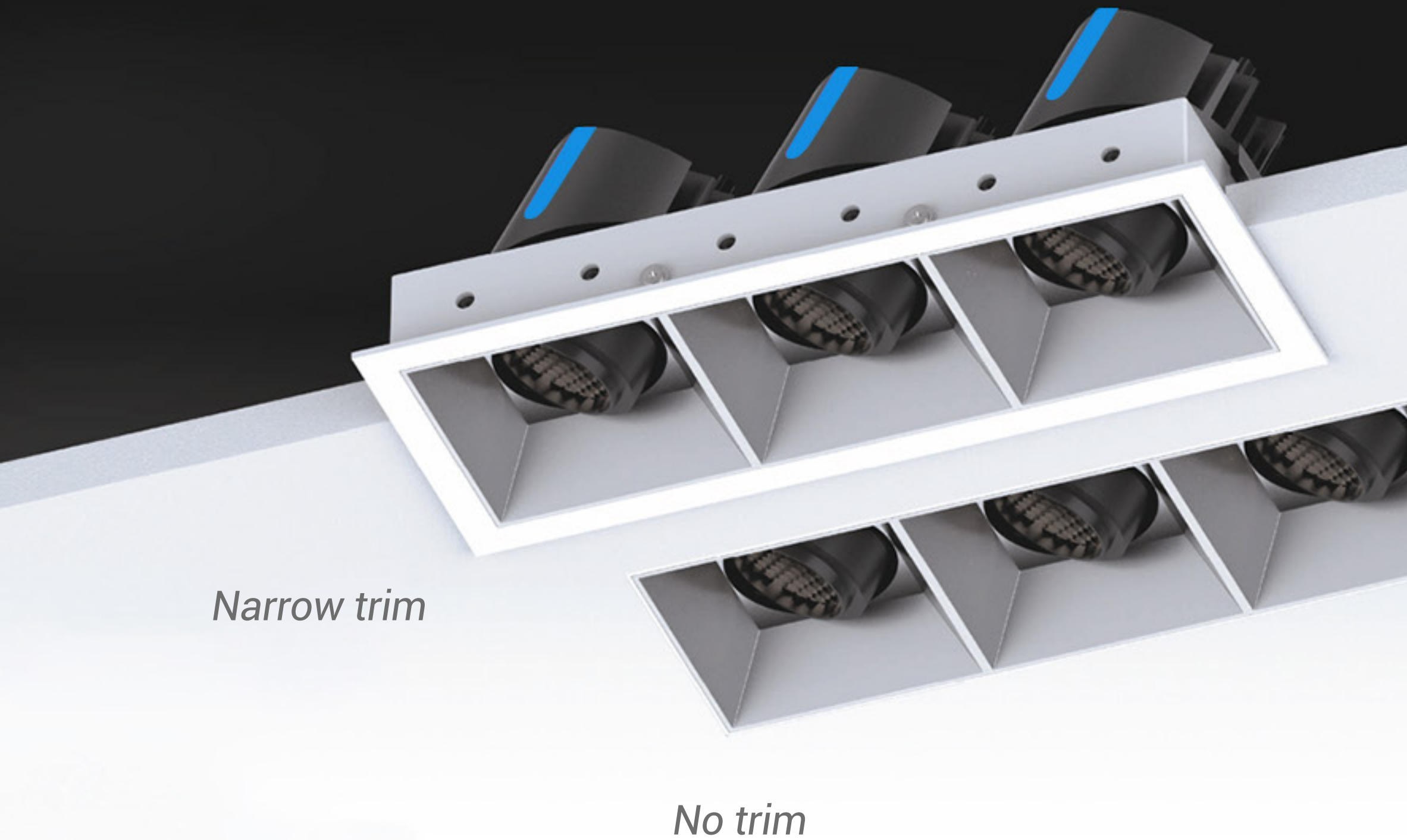


Cutout: 110x59mm

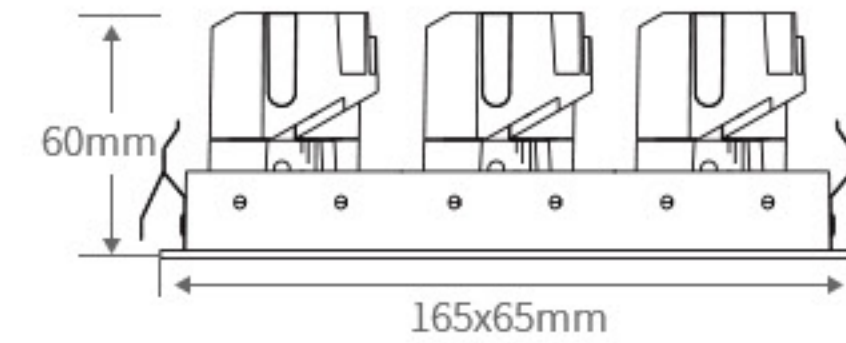


Cutout: 136x72mm

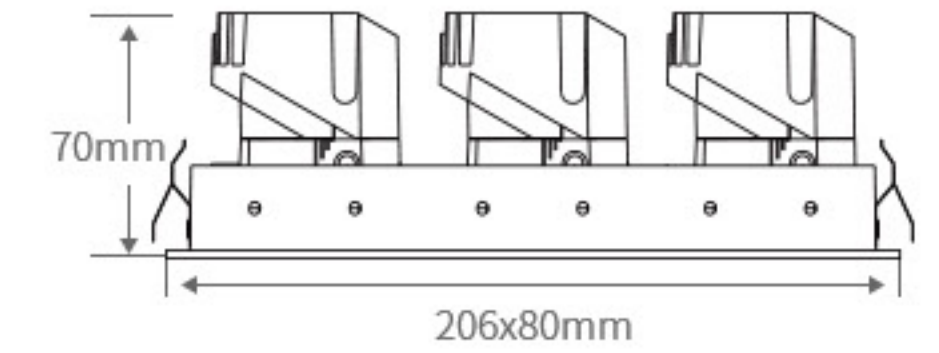
3-head accent light



Narrow trim:

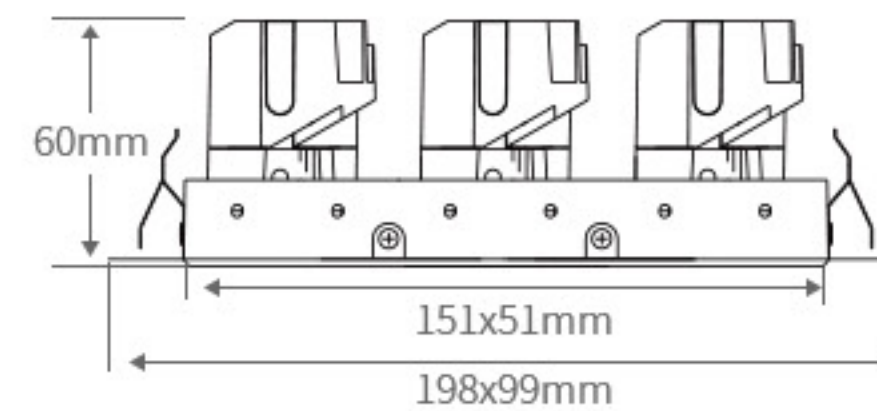


Cutout: 156x55mm

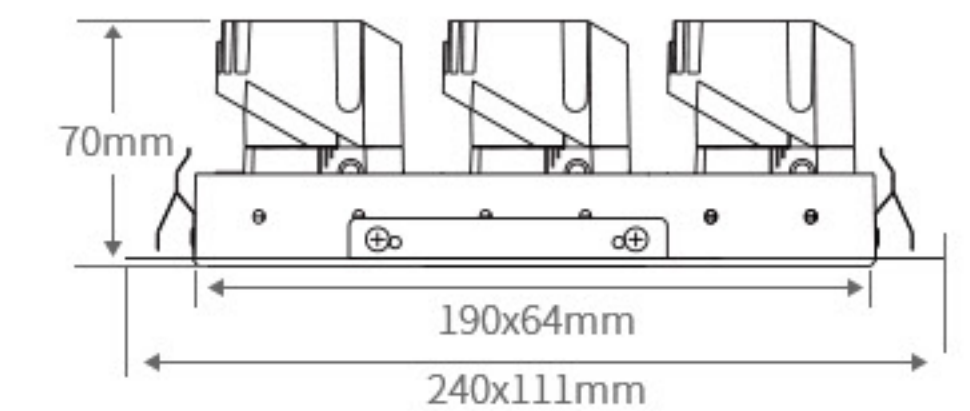


Cutout: 156x55mm

No trim:



Cutout: 160x59mm



Cutout: 200x72mm

Moon Series

Recessed Anti-glare Linear Down-light



SDCM<3



IP 20



Lifetime: 50000hrs

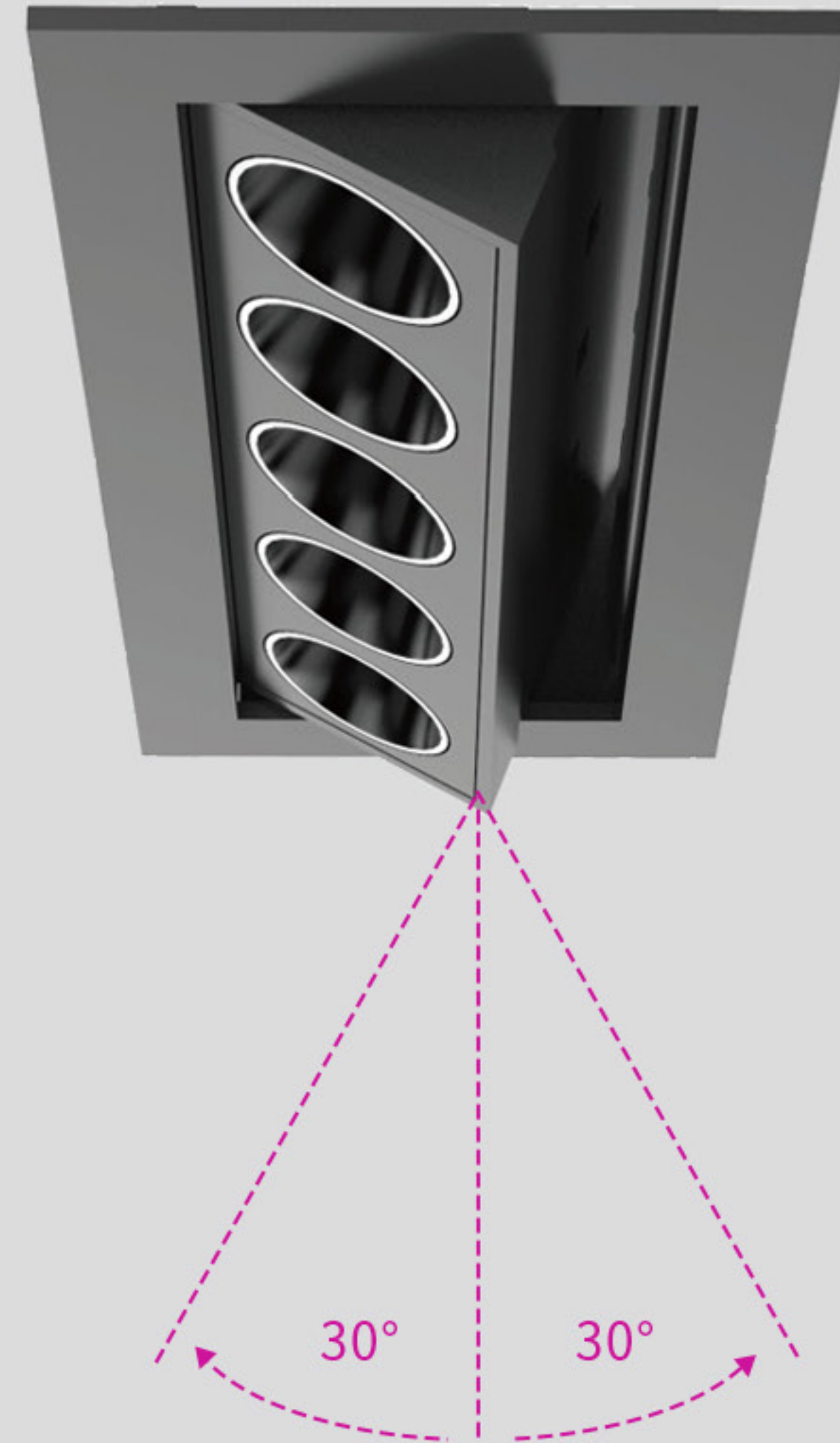


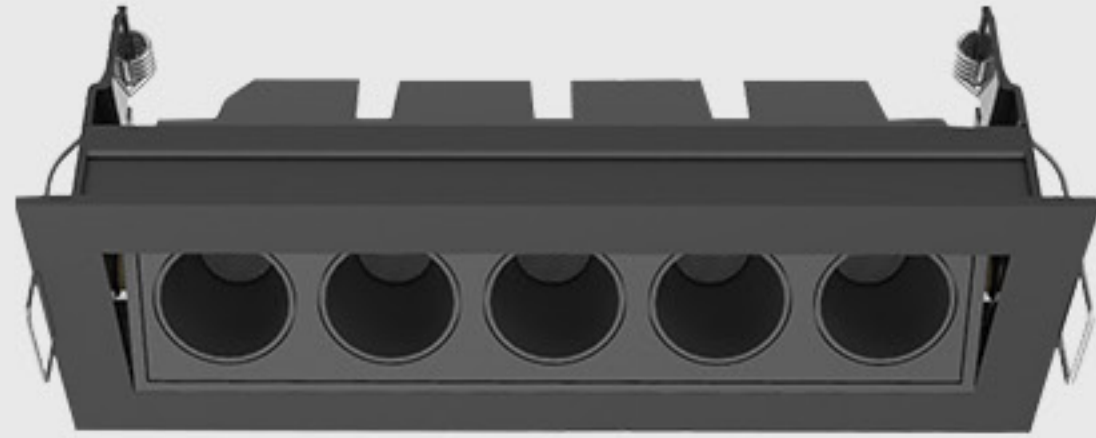
Minimalist style of choice

The graceful narrow trim helps MOON Series perfectly merged with the ceiling. Instead of traditional general lighting, the users can choose more layered, artistic and quality lighting to structure a comfortable space. The eternal classical colors of black and white also blend perfectly well with all decoration styles.

30° adjustable

30° left/right adjustment, free arrangement
in indoor lighting.





FA5

Rated power: 14W

Measurements: 171mm×70mm

Cutout: 160mm × 53mm

Height: 60mm

NW: 480g

Pivot: Max. 40°

Material: Die-cast aluminum

Inset: Black/white

Reflector: Black/silvery

Housing protection: IP 20

Lifetime: 50000hrs

SDCM: < 3

LED chip: OSRAM

Beam angle: 24°, 40



FF5

Rated power: 13W

Measurements: 152.5mm ×45mm

Cutout: 144mm×37mm

Height: 60mm

NW: 290g

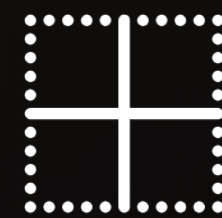


STAR Series

48V Low Voltage Magnetic Linear System



DC 48V



No-trim mounted



SDCM < 3



IP 20



Lifetime: 50000hrs

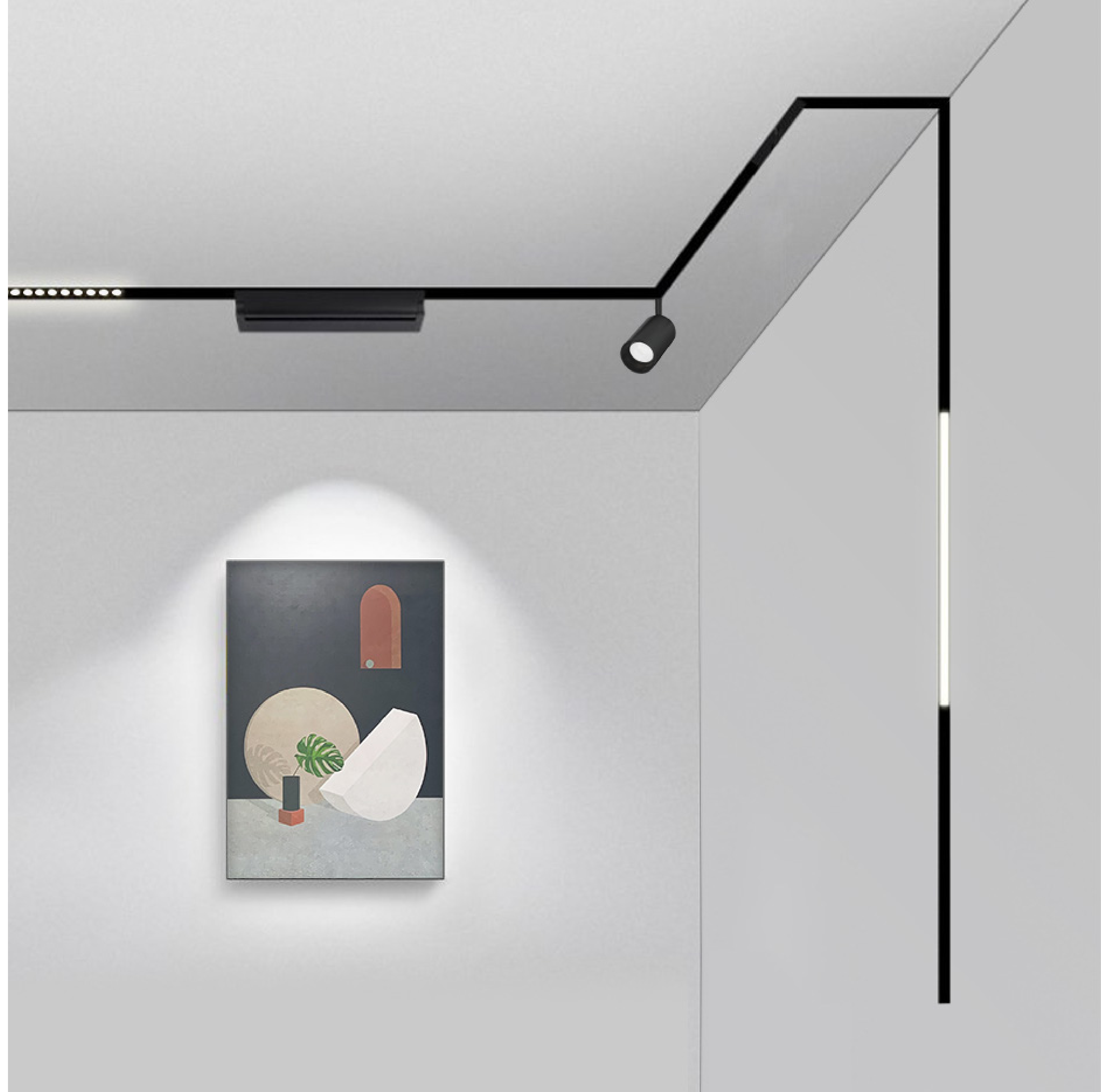
Redefine optics design

Flexible deployment of spot, linear and surface lighting in free combination, makes the interior space more interesting and plentiful.

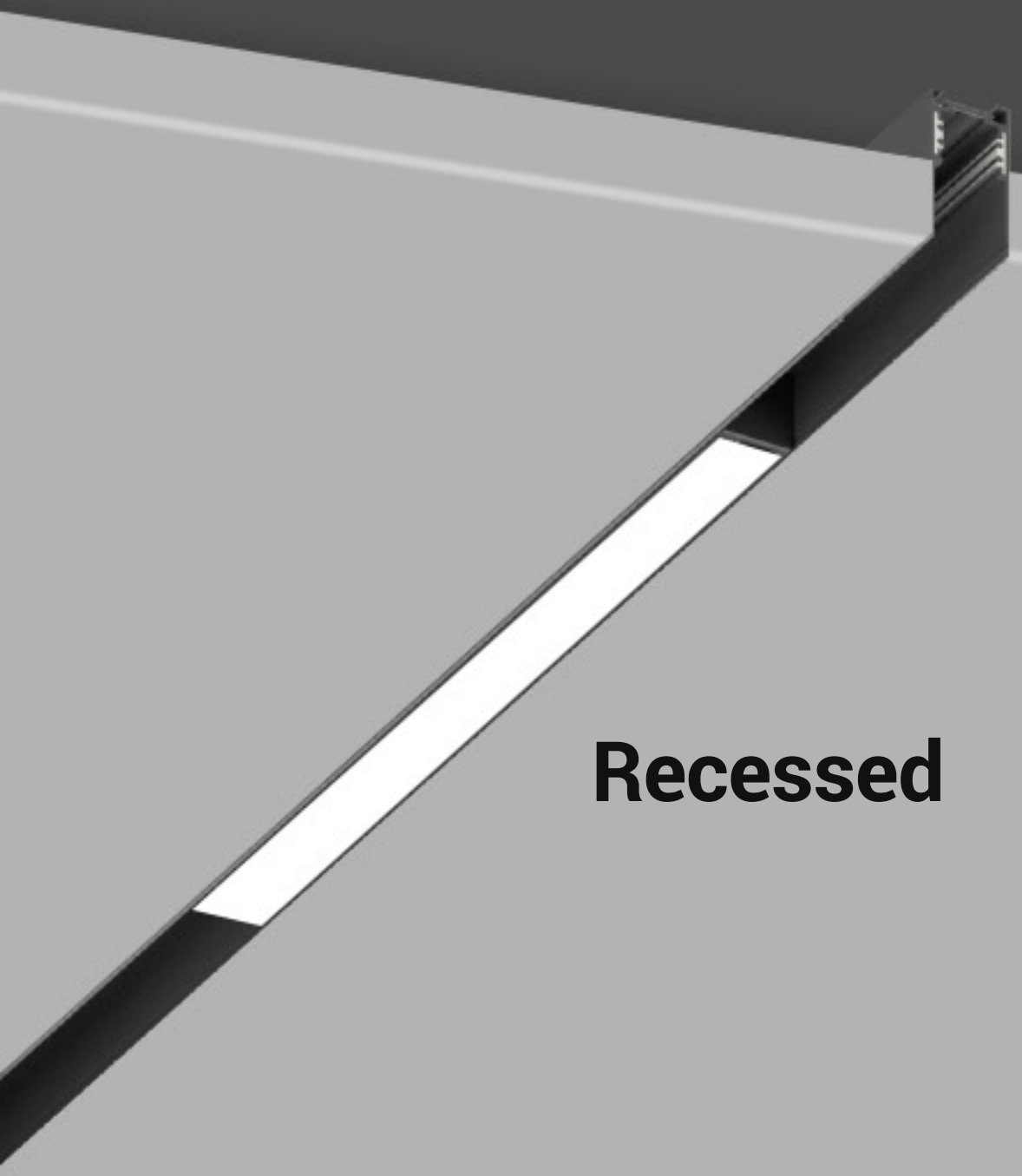
Spotlight

Linear light

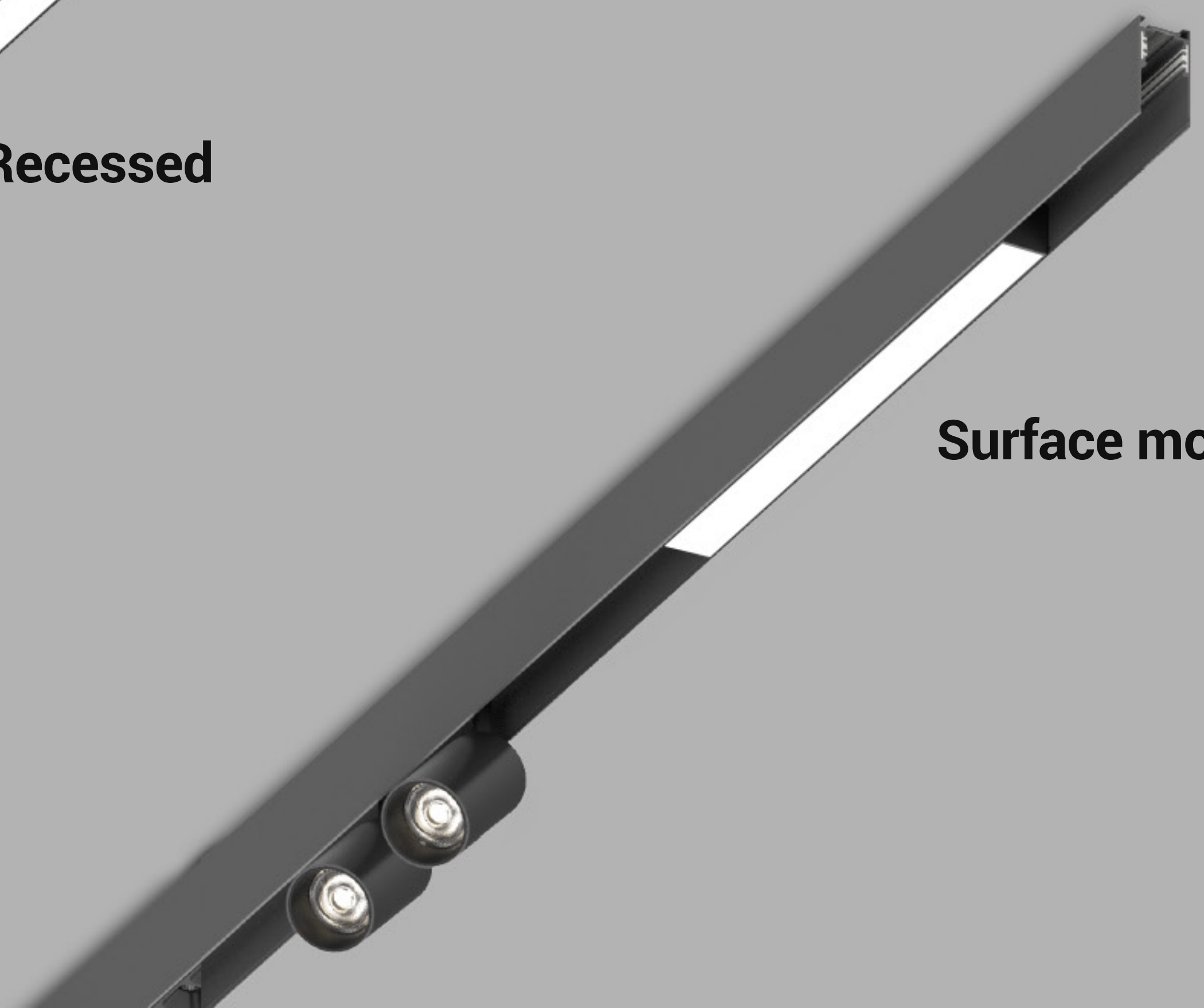
Accent light



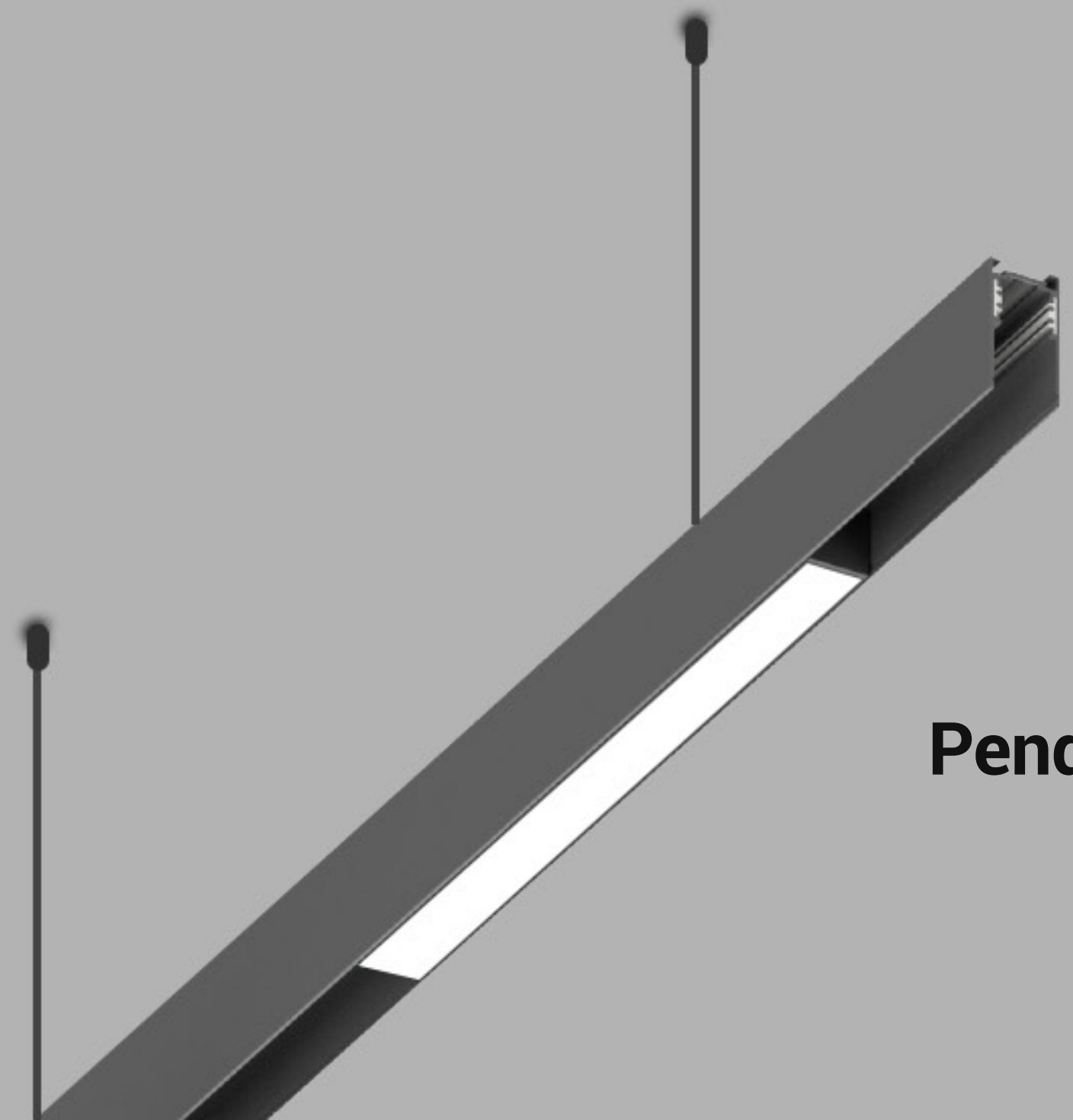
Free combination of three mounting methods



Recessed



Surface mounted

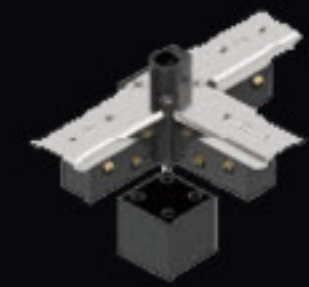


Pendant

Various types of connectors for free extension



L-type

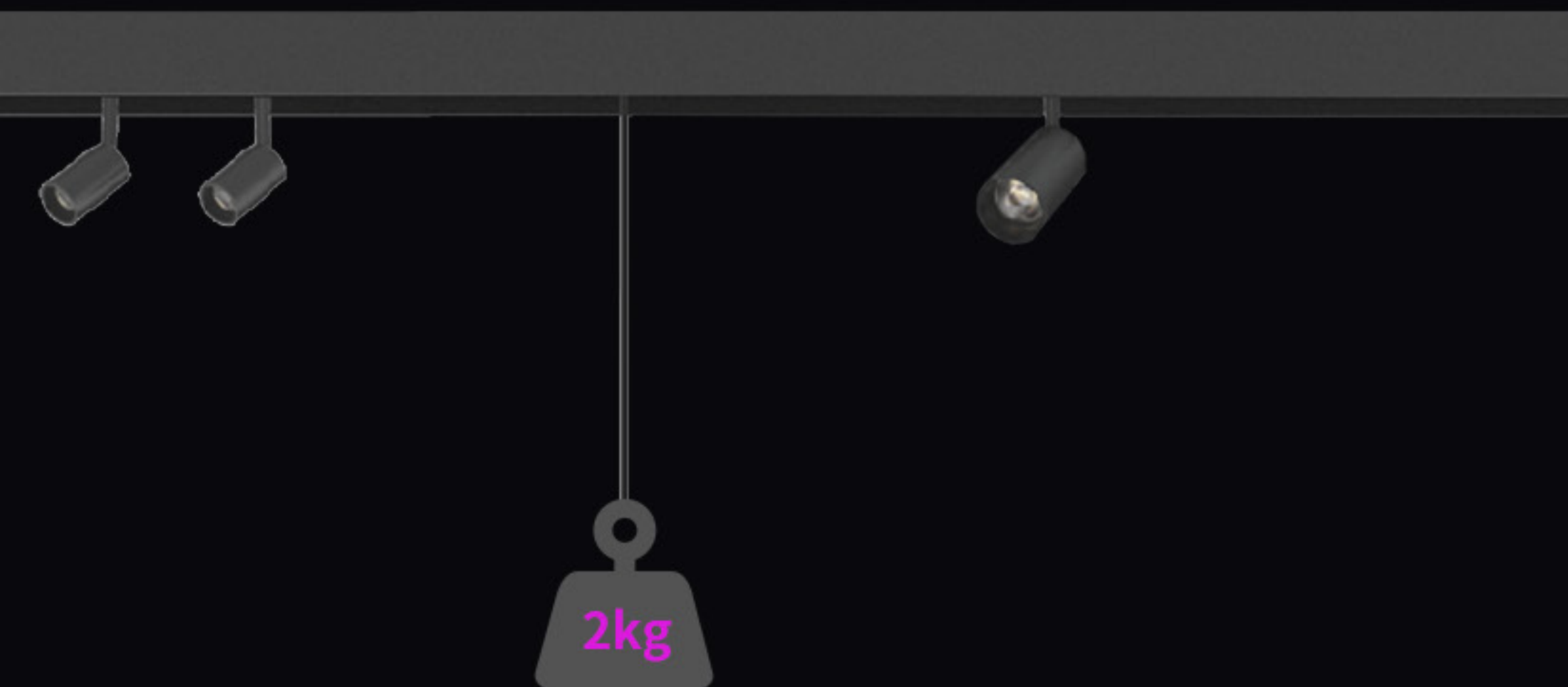


T-type

X-type



More secure, greater load

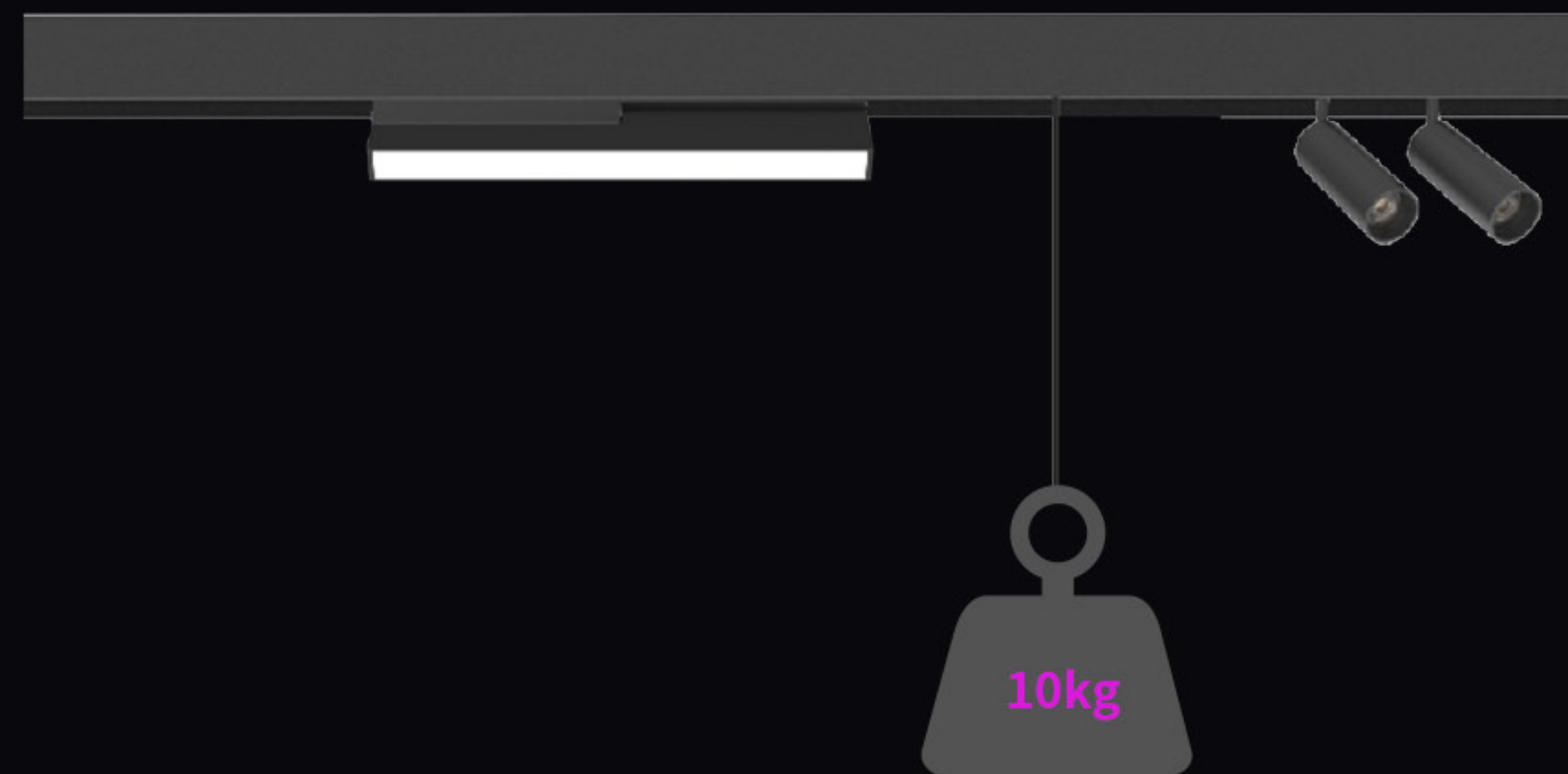


Common magnetic track:

The magnetic attraction is the only force able to retain a maximum of 2kg lamp, which threatens to fall at any moment with a shock or vibration.

HDL magnetic track:

The combination of magnet and latch buckle can bear up to 10kg lamps.



Easy to replace

The magnetic suction and latch double locking installation enables the users to install and maintain the lights without the aid of tools.



Optical zoom spotlight module

The users are free to adjust the beam characteristics and projecting direction to have a brand-new interactive experience.



Pivot: 360° rotation



Inset: 180° adjustable



ML26-RS40-24W

Ø40mm×105mm*2
LED chip: OSRAM



ML26-RS40-8W

Ø40mm×70mm
LED chip: CITIZEN



ML26-RT72-25W

Ø72mm×137.5mm
LED chip: OSRAM



ML26-RS25-5W

Ø25mm×40mm*2
LED chip: OSRAM

■ Beam angle: 18°, 30°, 45°

■ Track length: 190mm

Linear light module

Flooding effect, higher space brightness

ML26-GL280-7W/ 13W

284mm x 22mm x 43mm



ML26-GL560-13W/ 25W

564mm x 22mm x 43mm



ML26-SG280-7W/ 13W

283mm x 22mm x 90 mm

Pivot: +/- 90°



■ Beam angle: 110°

■ LED chip: SAMSUNG

Accent light module

Strong light effect, heightened space



ML26-AL190-7W

194mm x 22mm x 43mm



ML26-AL280-13W

284mm x 22mm x 43mm



ML26-SA280-13W

283mm x 22mm x 90 mm

Pivot: +/- 90°



■ Beam angle: 20/35°

■ LED chip: SAMSUNG