

Source 10

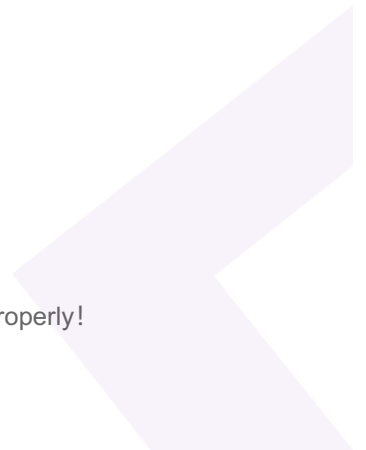
Instruction Manual



MGWSIPD10-LK.18

Before using this product, please read this manual carefully and keep it properly!

Document Version: C



◆◆ Overview

Source 10 (hereinafter referred to as “the product” or “the device”) is a smart home control center with a 10-inch capacitive control screen, achieving intelligent linkage control of the lights, curtains, fresh air, music, scenes and so on through knob and interactive interfaces.

Note: The pictures and illustrations provided in this instruction manual are for reference purposes only, and the actual product may differ.

Key Functions:

1. Supporting multiple Source intelligent central control at the same time; master-slave gateway function
2. Knob control with rotary use
3. Proximity detection: Built-in proximity sensor for detecting human motion. Once the sensor detects near human motion, the touch screen automatically wakes up.
4. Physical buttons for turning off or enabling the microphone and the display with one touch.
5. This device must be used with the base, can be optional with one of the power interfaces, details are as follows:

Name	Model No.	Functions
Source_Zigbee Power Interface (hereinafter referred to as "Zigbee interface")	MPWS2R1ETH-ZB.18	Provides power for the whole device, built-in 2CH 10A relay circuit output, when the Zigbee interface is selected and connected to the network using the network port, the device is equipped with Zigbee gateway function.

<p>Source_Buspro Power Interface (hereinafter referred to as "Buspro interface")</p>	<p>MPWS2R1ETH-BP.18</p>	<p>Provides power for the whole device, built-in 2CH 10A relay circuit output, when the Buspro base is selected and connected to the network using the network port, the device is equipped with Zigbee gateway function and Buspro gateway function, supporting Zigbee system and Buspro system mixed networking.</p>
<p>Source_KNX Power Interface (hereinafter referred to as "KNX interface")</p>	<p>MPWS2R1ETH-KT.18</p>	<p>Provides power for the whole device, built-in 2CH 10A relay circuit output, when the KNX interface is selected and connected to the network using the network port, the device is equipped with Zigbee gateway function and KNX gateway function, supporting Zigbee system and KNX system mixed networking.</p>

◆◆ Appearance

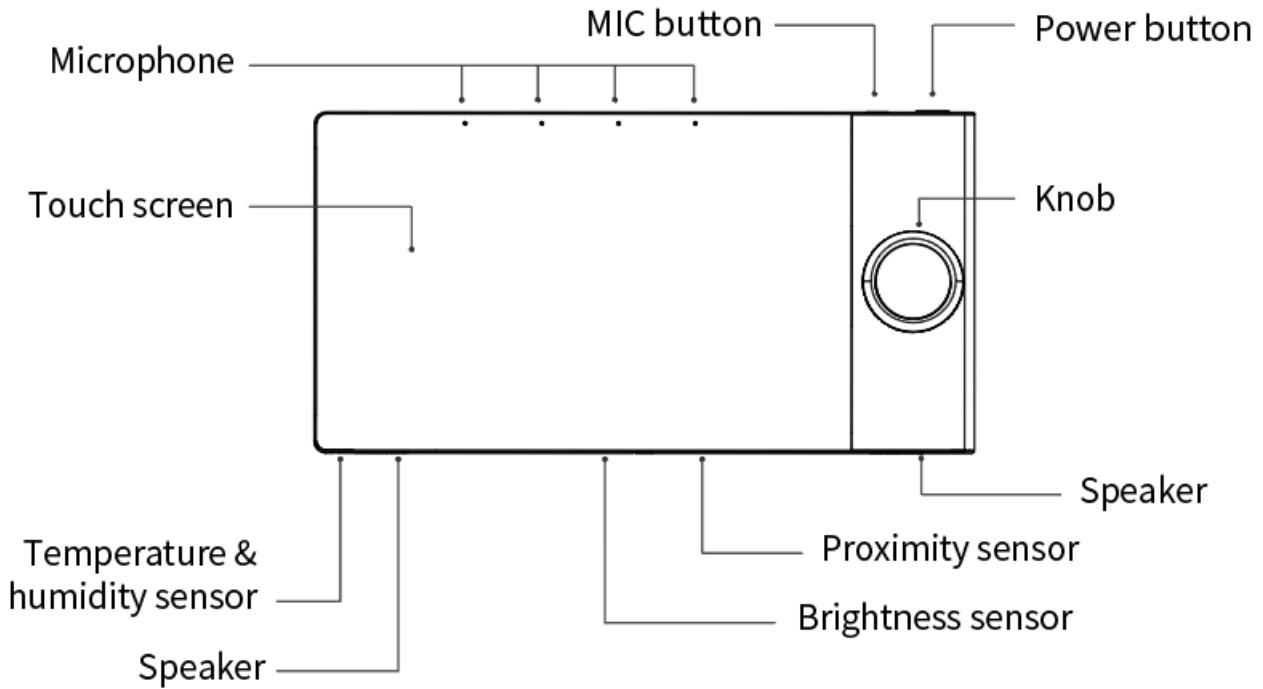


Figure 1

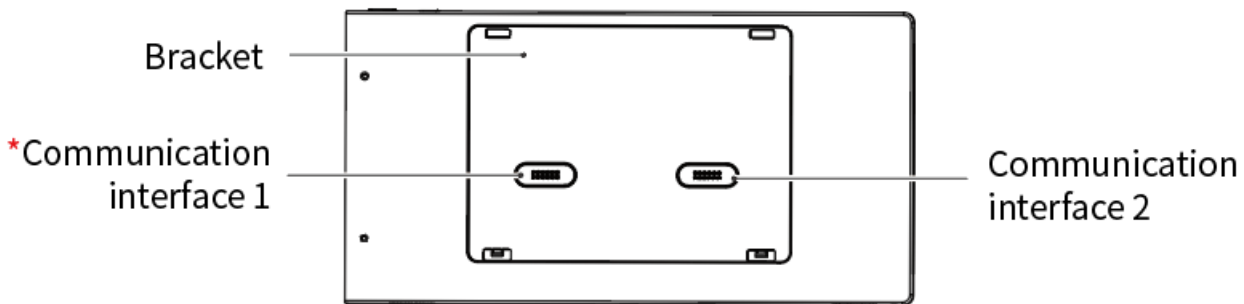


Figure 2

Note:

- If configured with one power interface, please connect the power/communication interface 1.
- If configured with two power interfaces, please connect the power/communication interface 1 and power/communication interface 2 respectively.
- Only the power/communication interface 1 supports wired network connection, if necessary, please connect the network cable to the corresponding power interface.
- This device supports connecting to the home wired network (for smart home control), please choose according to the actual needs.
- This device supports connecting to Wi-Fi for smart home control. However, in order to ensure stable communication, it is

recommended to use the wired network.

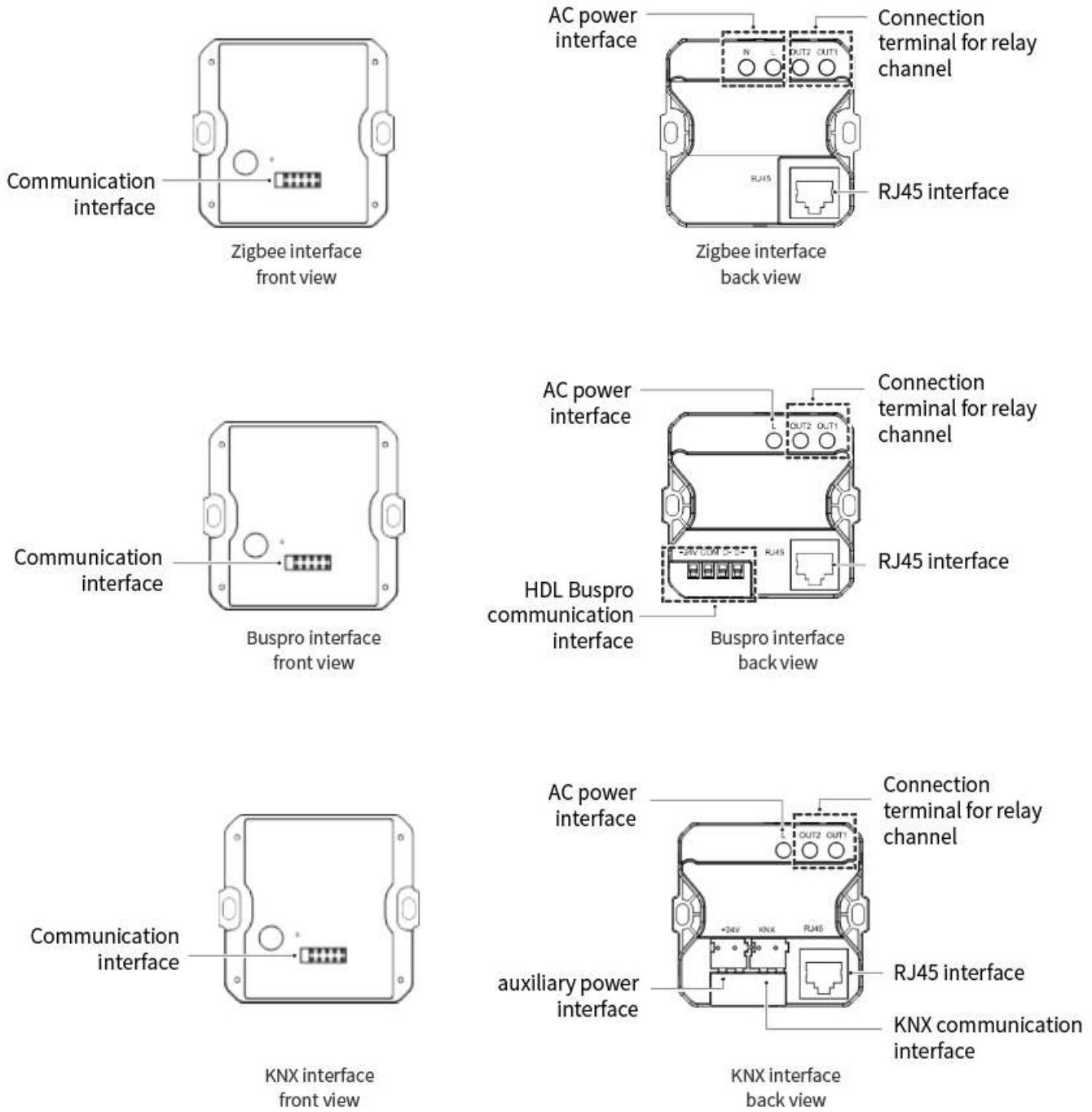


Figure 3

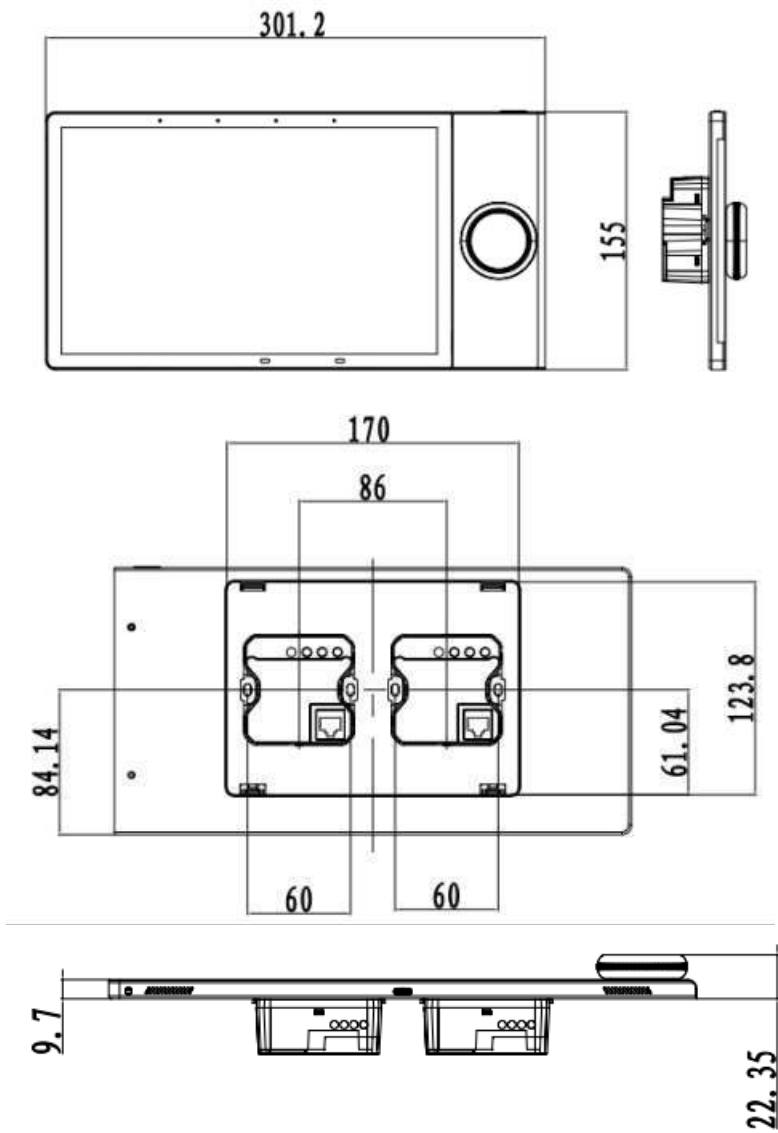
◆◆ Technical Data

Item	Parameter
Power consumption	≤15W
Input voltage	Zigbee interface: 100 ~ 240V AC, 50/60Hz; Buspro interface: 18 - 28V DC; KNX interface: 21 - 30V DC
KNX auxiliary voltage	18 - 28V DC

Output channel	Zigbee / Buspro / KNX interface: 2CH, 3A/CH; Resistive load: ≤660W/CH; Capacitive load: ≤200W/CH
Communication protocol	HDL LINK, WiFi 2.4G
Main chip	RK3566
Storage capacity	2+16GB
Operating frequency	2.4GHz, 5GHz
Indoor communication distance (barrier-free)	≤50m
Operating system	Android 11
Ethernet interface	RJ45
Touch screen	10-inch capacitive touchscreen, resolution: 1200*2000, with multi-touch technology
Knob	30 levels of feedback for rotating, clicking and long-pressing; Turning the knob to adjust the light, curtains, volume, temperature, wind speed, etc.; Knob light: RGB light beads
Microphone	4 microphones
Speaker	1W*2
Proximity sensor	A maximum sensing distance of 100cm, default: 50cm (can be modified in the settings page)
Light Sensor	Automatically adjusts screen brightness according to light level
Temperature & humidity sensor	Monitor the temperature and humidity of the environment
MIC button	Enable/disable microphone
Power button	Short press to close the display, long press to restart the device
Type-C interface	For upgrading or temporarily powering panels
Working temperature	-5°C ~ 45°C
Working relative humidity	≤90%RH, non-condensed
Storage temperature	-20°C ~ 60°C
Storage relative humidity	≤93%RH

◆◆ Specifications

Dimensions (W X H X D)	301.3*155.2*9.8mm (Without power interface, see Figure 4)
Net weight	Source 10 (With bracket, without power interface: 1000g)
Housing material	Source 10: Metal; Zigbee/Buspro/KNX interface: PC
Installation	Wall box (up to 2 power interfaces installed)
IP degree (compliant with EN 60529)	IP20



◆◆ Safety Precaution

Danger:

Do not disassemble or replace parts without authorization, as this may result in mechanical failure, electric shock, fire, or body injury.

Warning:

- Installation and commissioning of this equipment must be carried out by us or by an organization appointed by us. The planning and construction of the electrical connection of this equipment must comply with the relevant local safety

standards and regulations.

- Any consequences caused by failure to install and wire according to this instruction are not related to our company.
- Please refer all maintenance work to our after-sales department or designated organization, the warranty of this product does not apply to the failure caused by the user's disassembly of the product.

Caution:

- Before use, please tear off the protective film of the touch screen of this device, so as not to affect the effect of use.
- Before installation, please cut off the power supply, it is strictly prohibited to operate with electricity.
- It is a MUST to install the device with wall box.
- It is a MUST to use the device with power interfaces. The optional power interfaces include Source_Zigbee power interface, Source_Buspro power interface and Source_KNX power interface. Please select according to actual needs.
- The maximum distance for wireless transmission is 40 meters. Since obstacles can shorten the wireless transmission distance, to ensure a stable and reliable communication, it is imperative to install the device in an open area, away from large metallic objects.
- Do not use corrosive liquid to wipe the device body and the interface, so to avoid damage to the interface. Simply use a dry rag to wipe away dust from the device.
- Prior to performing maintenance or cleaning on the device, disconnect the device from all voltage sources, to avoid electric leakage and electric shock.
- This unit is for indoor use only, do not use in wet environments or outdoors.



This symbol indicates that: The device is only available for use at an altitude of below 2000 meters.

◆◆ Wiring

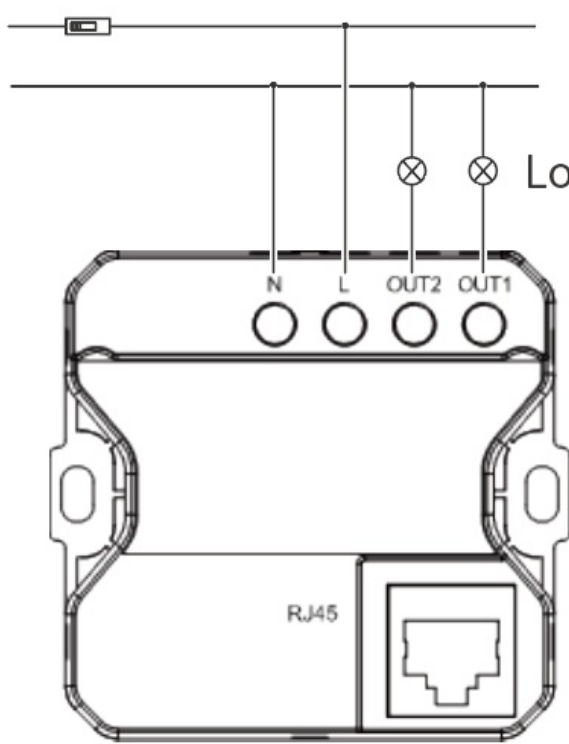
It is a MUST to make the device connect with power interface. The wiring for the optional power interfaces are as below.

Wiring for Zigbee interface

AC power cables

Live cable

Neutral cable



Load (e.g., lighting device)

Figure 6

Wiring for Buspro interface

Tips: For Buspro connection, a hand-in-hand connection is recommended.

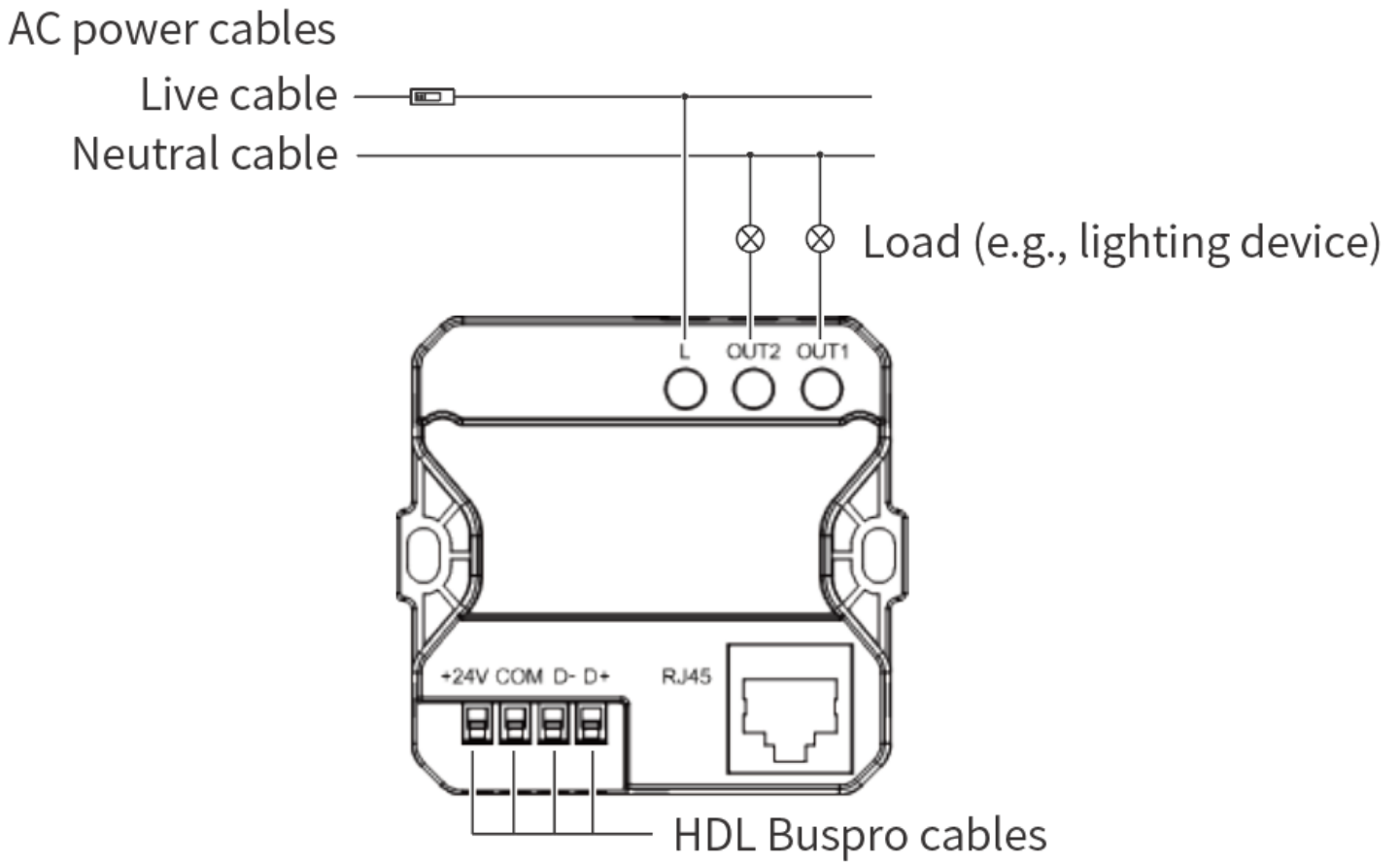


Figure 7

HDL Buspro Cable Guide

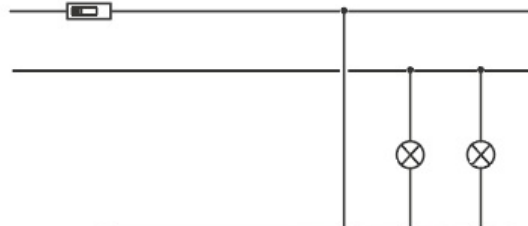
HDL Buspro	HDL Buspro Cable	CAT5 / CAT5E
DATA+	Yellow	Blue/Green
DATA-	White	Blue white/Green white
COM	Black	Brown white/Orange white
24V DC	Red	Brown/Orange

Wiring for KNX interface

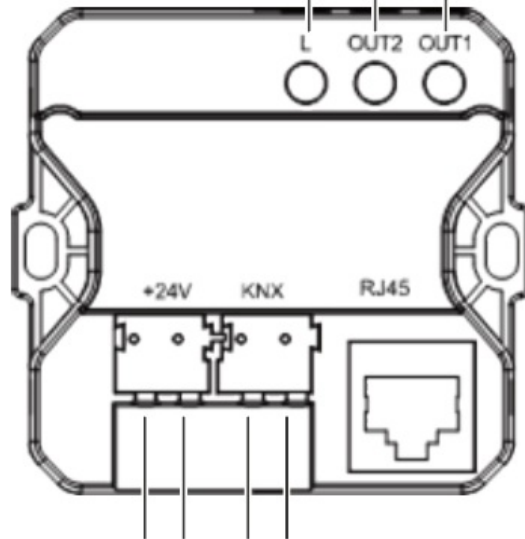
AC power cables

Live cable

Neutral cable



Load (e.g., lighting device)



Auxiliary power cables KNX cables

Figure 8

KNX Cable Guide

KNX	KNX Cable
-	Black
+	Red

◆◆ Installation

Note: Before installation, if the bracket has not been separated from the panel assembly, please refer to the disassembly instructions.

WARNING: Disconnect the power supply before installation and do not operate with electricity.

Caution:

- If configuring 1 power interface, please install it in slot 1.
- If configuring 2 interfaces, please install them in slot 1 and slot 2 respectively.
- Only the interface corresponding to slot 1 supports wired network connection, if necessary, please connect the network cable to the interface corresponding to slot 1.

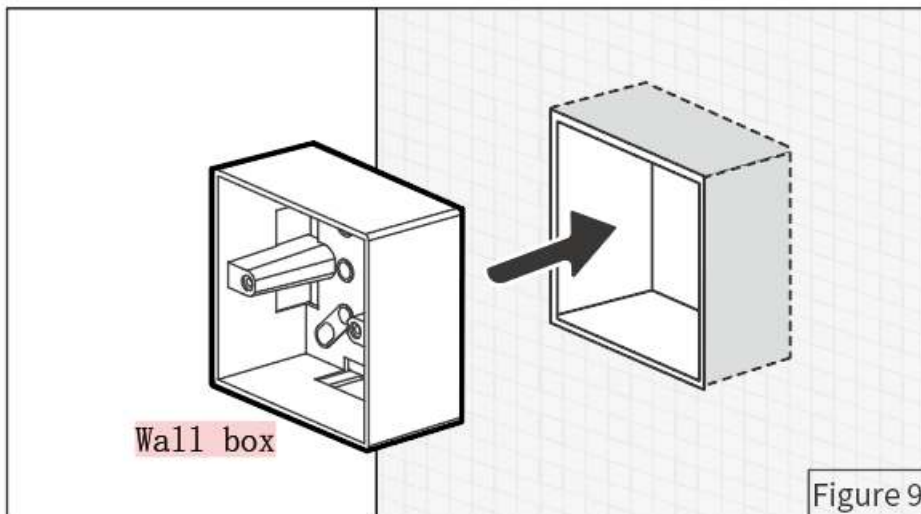
- This device supports connecting to the home wired network (for smart home control), please choose according to the actual needs.
- This device supports connecting to Wi-Fi for smart home control. However, in order to ensure stable communication, it is recommended to use the wired network.

Step 1. Make an opening in the wall.

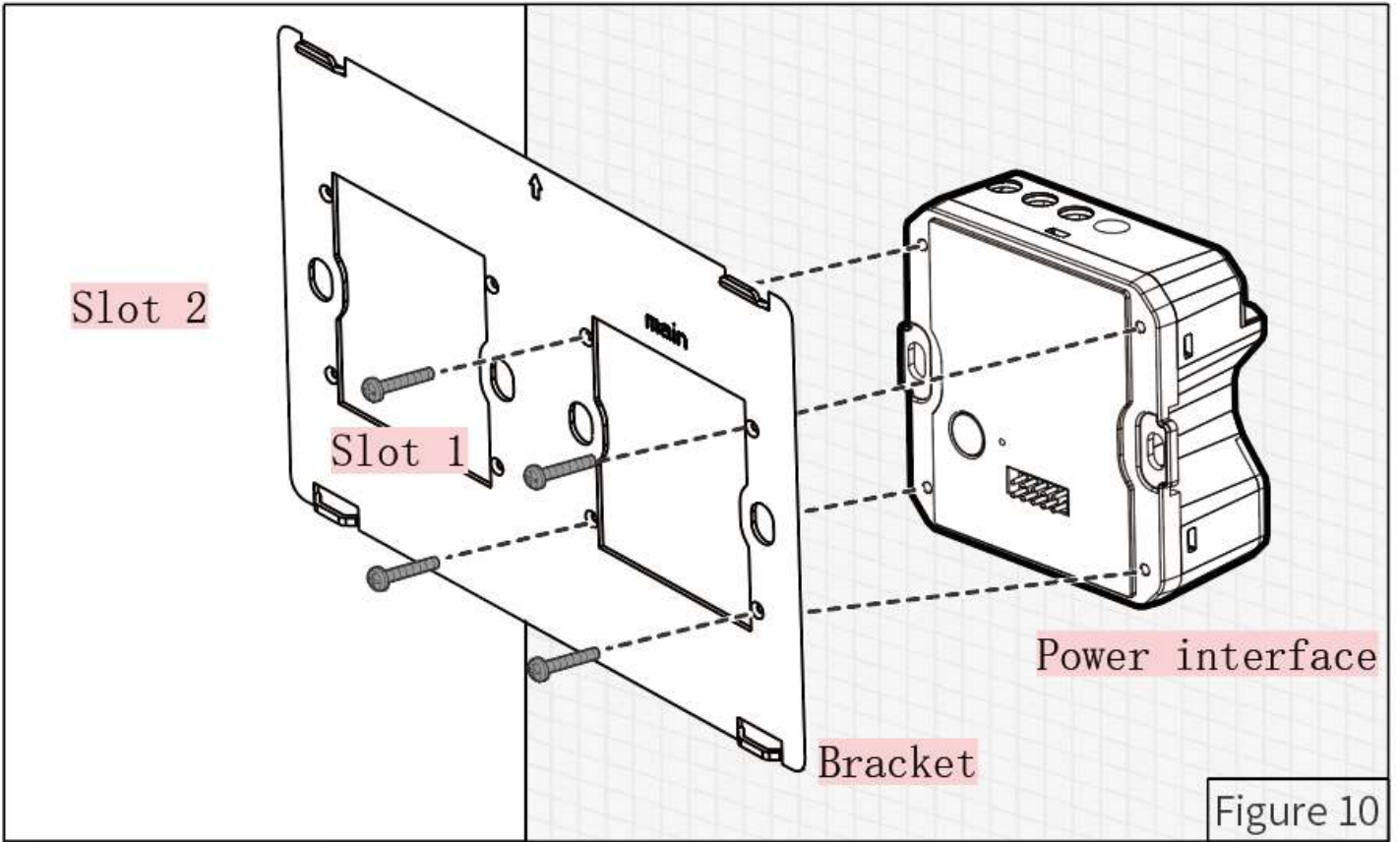
Note: To facilitate the wiring, please bury the live wire, the neutral wire and other cables into the wall before installation.

Step 2: Place the wall box into the wall.

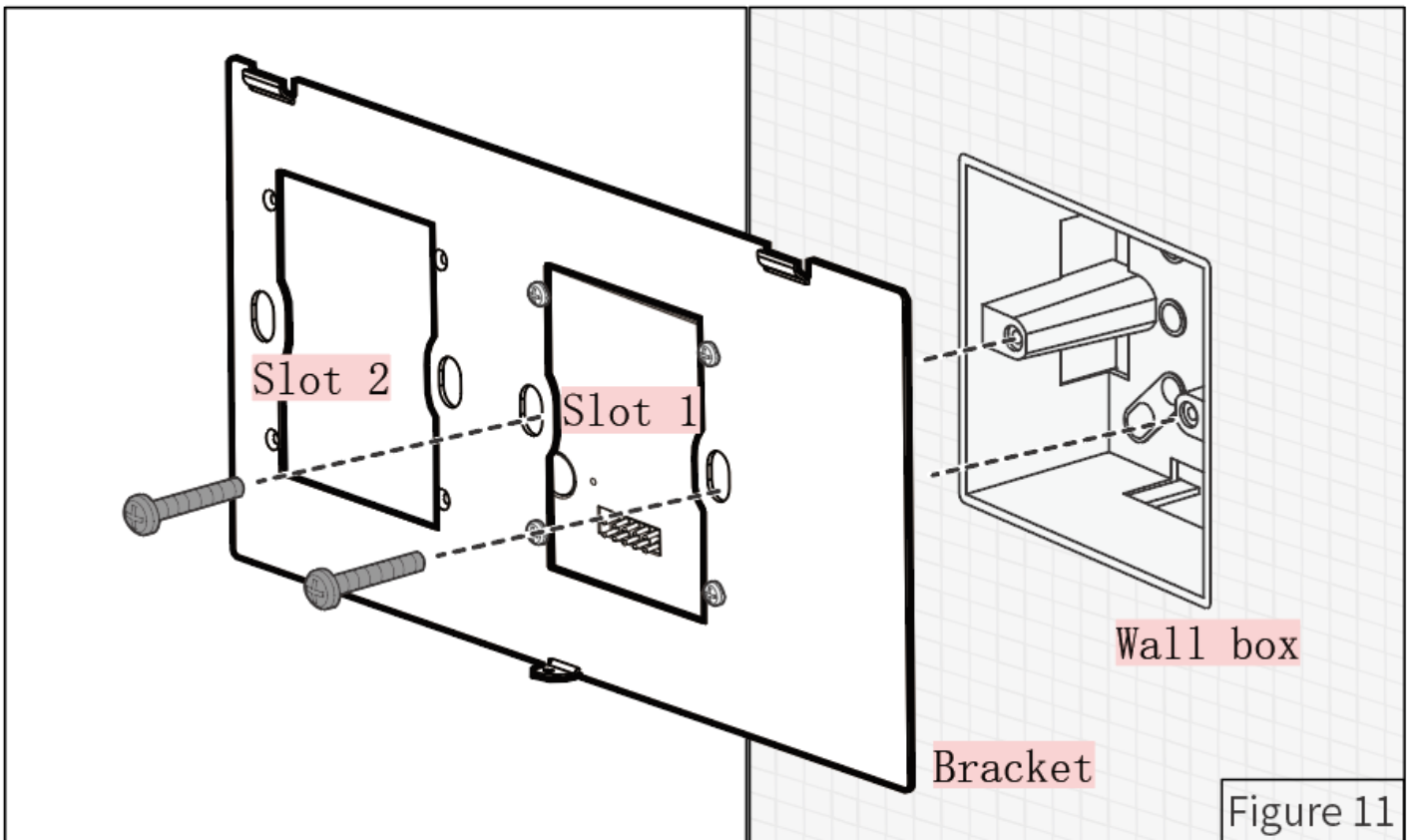
Note: Only 86 type wall box with depth \geq 70mm is supported.



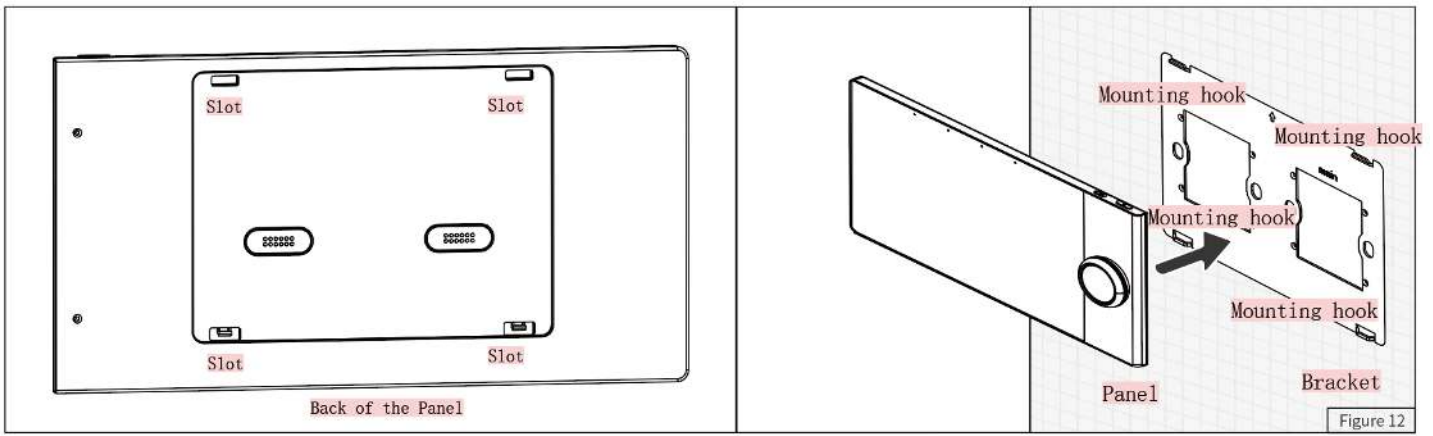
Step 3: Fix the bracket to the interface with screws.



Step 4: Secure the interface with the bracket into the wall box with screws.



Step 5: Align the mounting hooks with the slots, then assemble the panel onto the bracket.

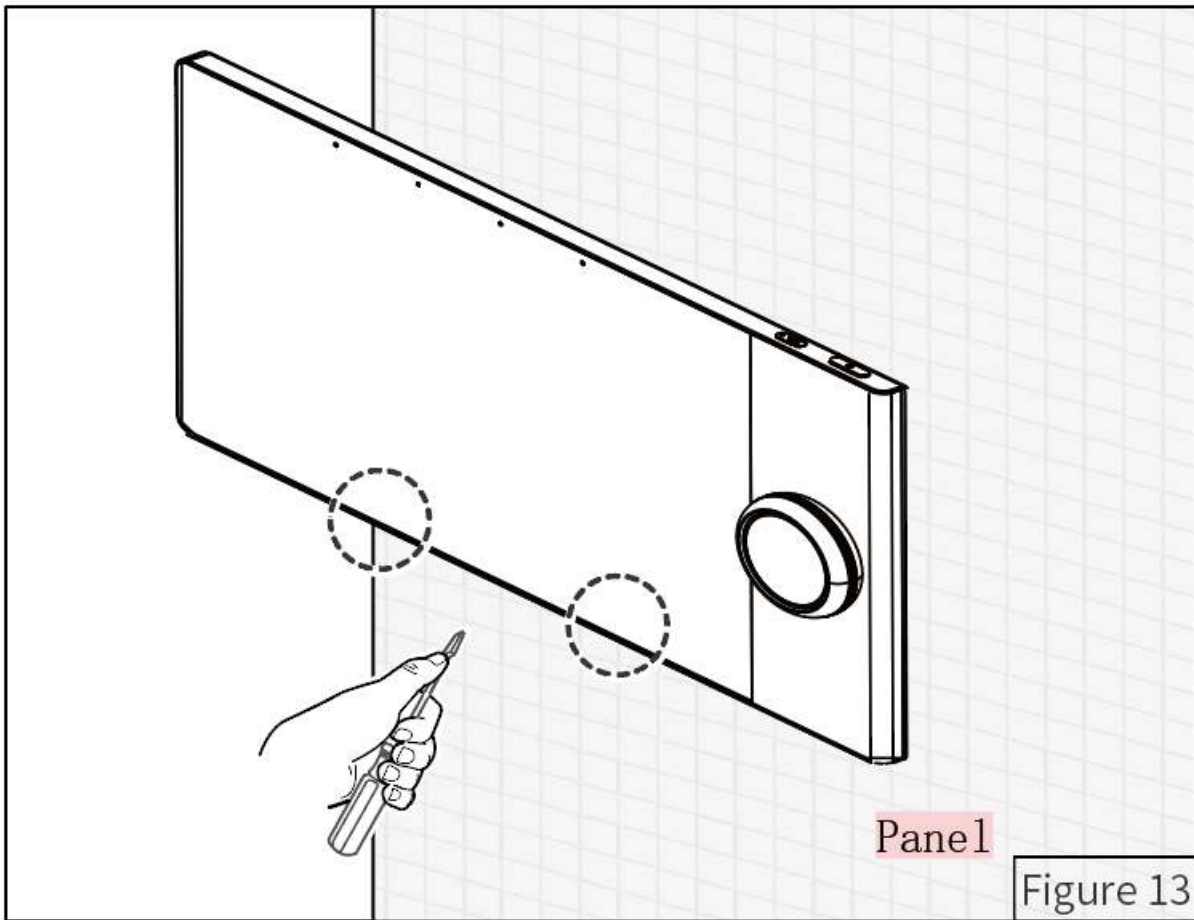


◆◆ Disassembly

Warning: Before performing any disassembly procedures on the device, it is crucial to disconnect the device from all voltage sources. This step is necessary to ensure the safety of the technician and prevent any potential damage to the device.

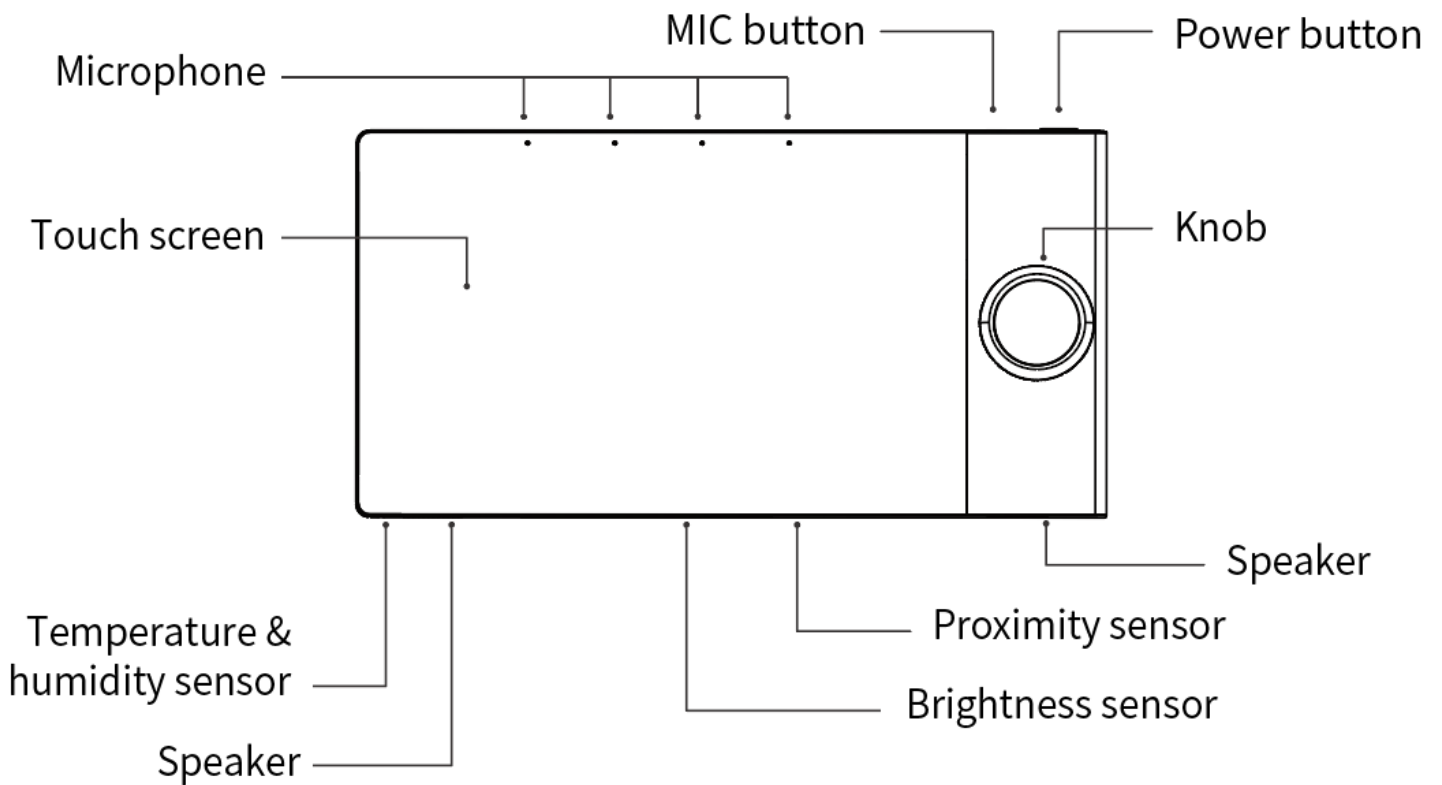
Step 1. It is recommended to place a screwdriver between the gap of the panel and power interface until the panel is separated from the bracket.

Step 2. To remove the panel and power interface, please refer to the reverse steps in the section Installation.



◆◆ Operation

The device is equipped with 1 knob, 1 MIC button, 1 power button, 1 touch screen, 1 proximity sensor, 1 brightness sensor, 1 temperature and humidity sensor:



- **Knob**

Procedures	Operation results
Clockwise rotation/ Counterclockwise rotation in device control pages	<ol style="list-style-type: none"> 1. In the light control interface, adjust the light brightness. 2. In the open/close curtain control interface, adjust the opening/closing percentage. 3. In the air conditioner control interface, adjust the temperature.
Clockwise rotation/ Counterclockwise rotation in other pages	Call out the quickpage and select some device or scene to control.

- **Touch Screen**

This section mainly introduces the related pages and voice control.

Note: Before operation, please get the required residential projects through On Pro, please refer to “On Pro Commissioning Instructions” in the commissioning part for details.

1. Home

The “Home” page displays the collected device functions, scenes, automation, etc.

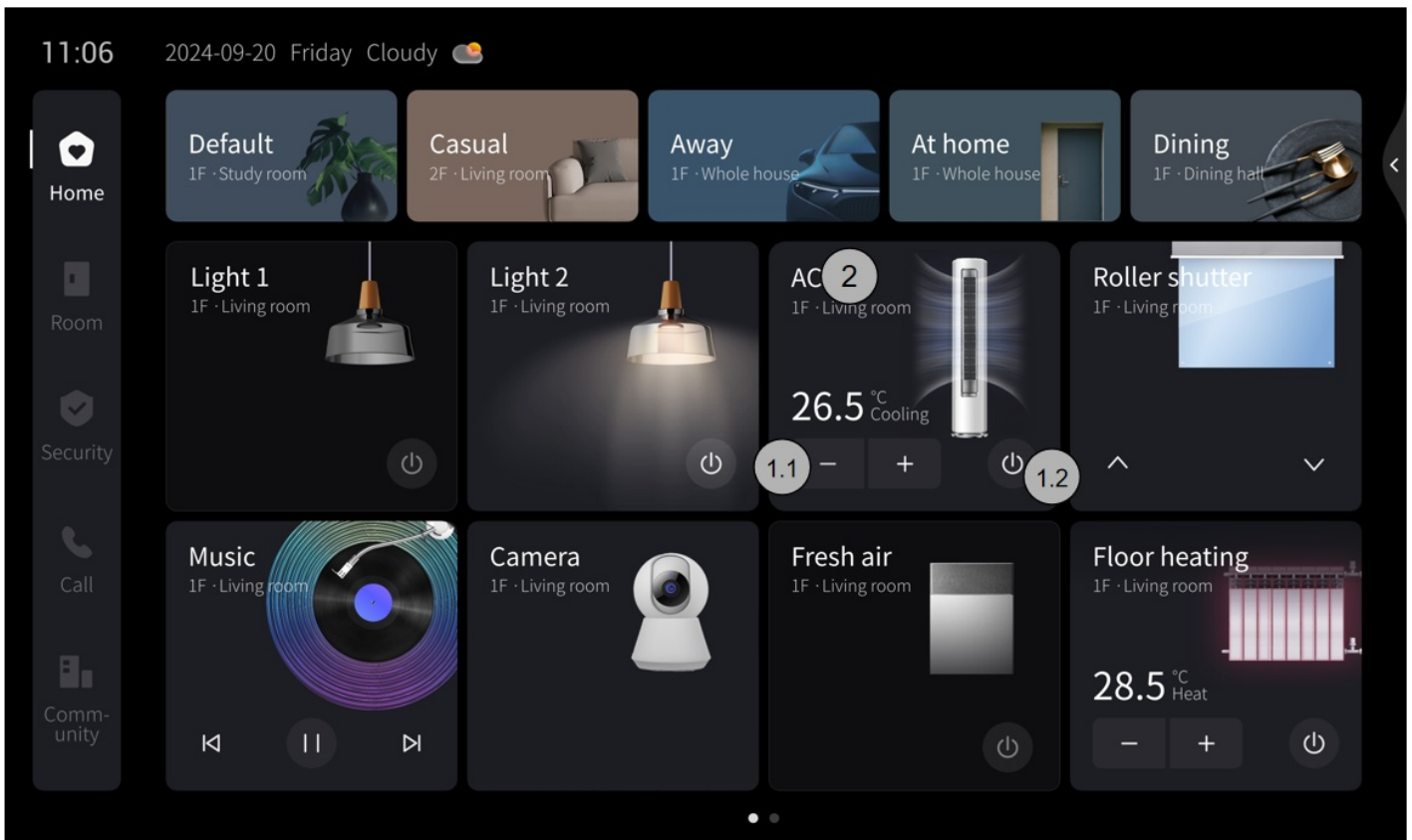
Step 1: Click the corresponding function icon for quick control.

Note: The function icons are different for different devices, so we will not go into details in this section. This section will not go into details here. We will only take “Air Conditioner” as an example for illustration.

Step 1.1: Click the icon to adjust the temperature up/down.

Step 1.2: Click the icon to turn on/off the object.

Step 2: For more configurations, please click on the icon to enter the corresponding page.



2. Device/Scene

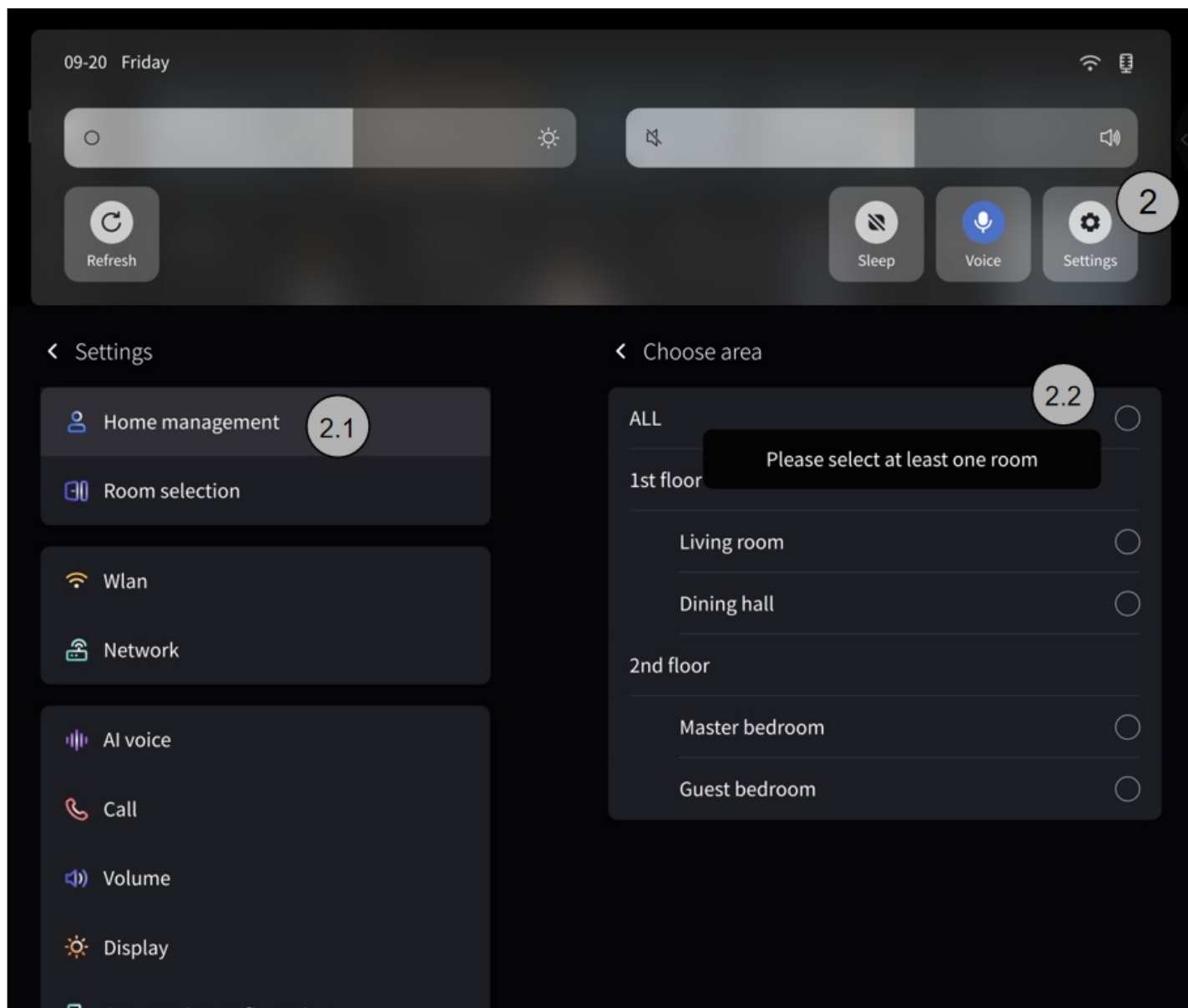
The “Device” page displays the configured functions for the current region. The “Scene” screen displays the configured scenes in the current region.

Step 1: Select an area. If you need to reset, skip to Step 2. If you don't need to reset, you can configure quick control or more configuration for the desired object (as described in the previous section).

Step 2: Scroll down the screen and click on the icon to enter the setup page.

Step 2.1: Select “Home Management” and enter “Choose Area”.

Step 2.2: Check the desired area.



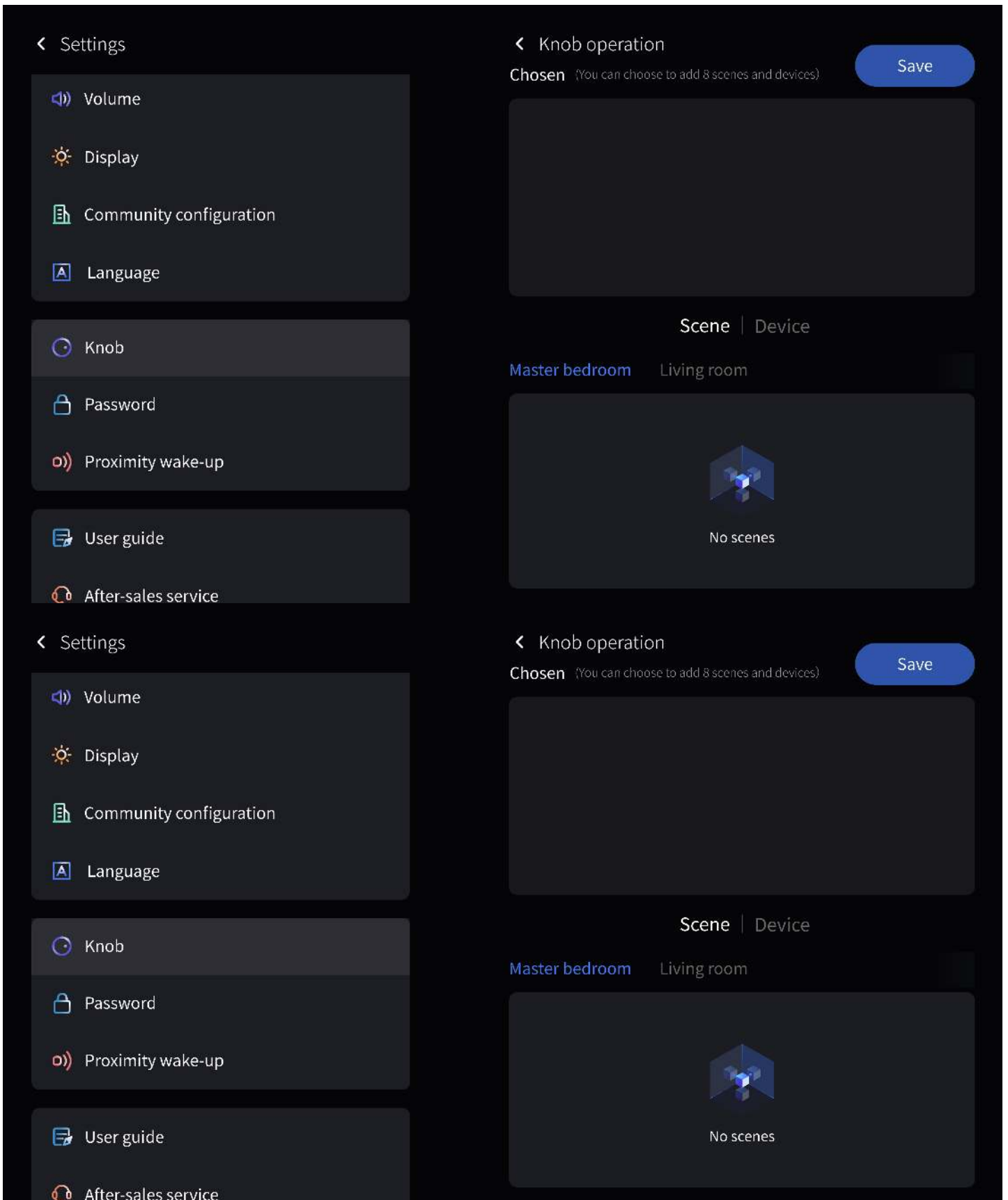
Note: There are three ways to operate the scene by the knob, if you need to set it, please refer to the following steps.

Step 3: Pull down the screen, click the icon to enter the setting page.

Step 3.1: Select “Knob”.

Step 3.2: Select the desired knob operation mode.

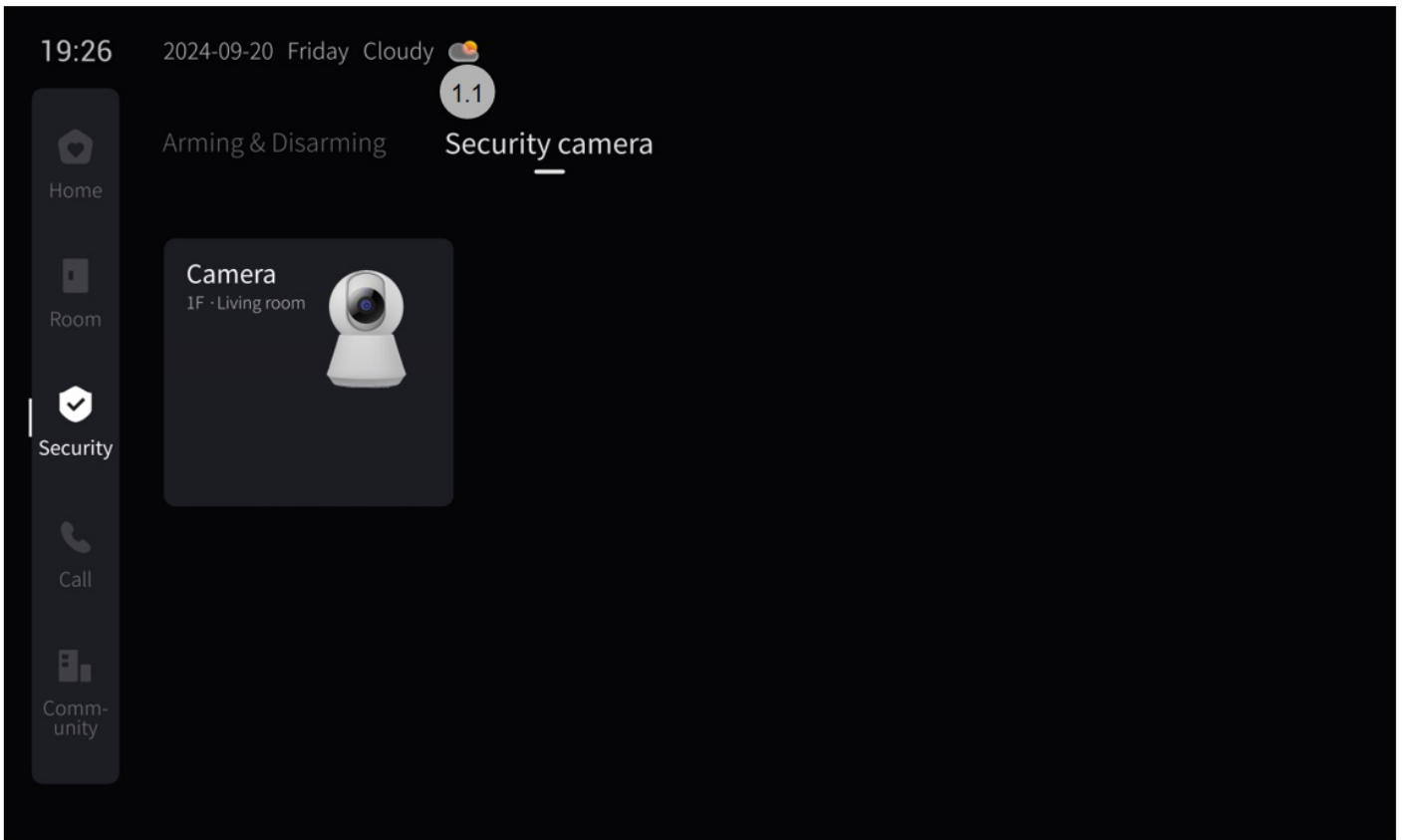
Step 3.3: Check the desired scene.



3. Security

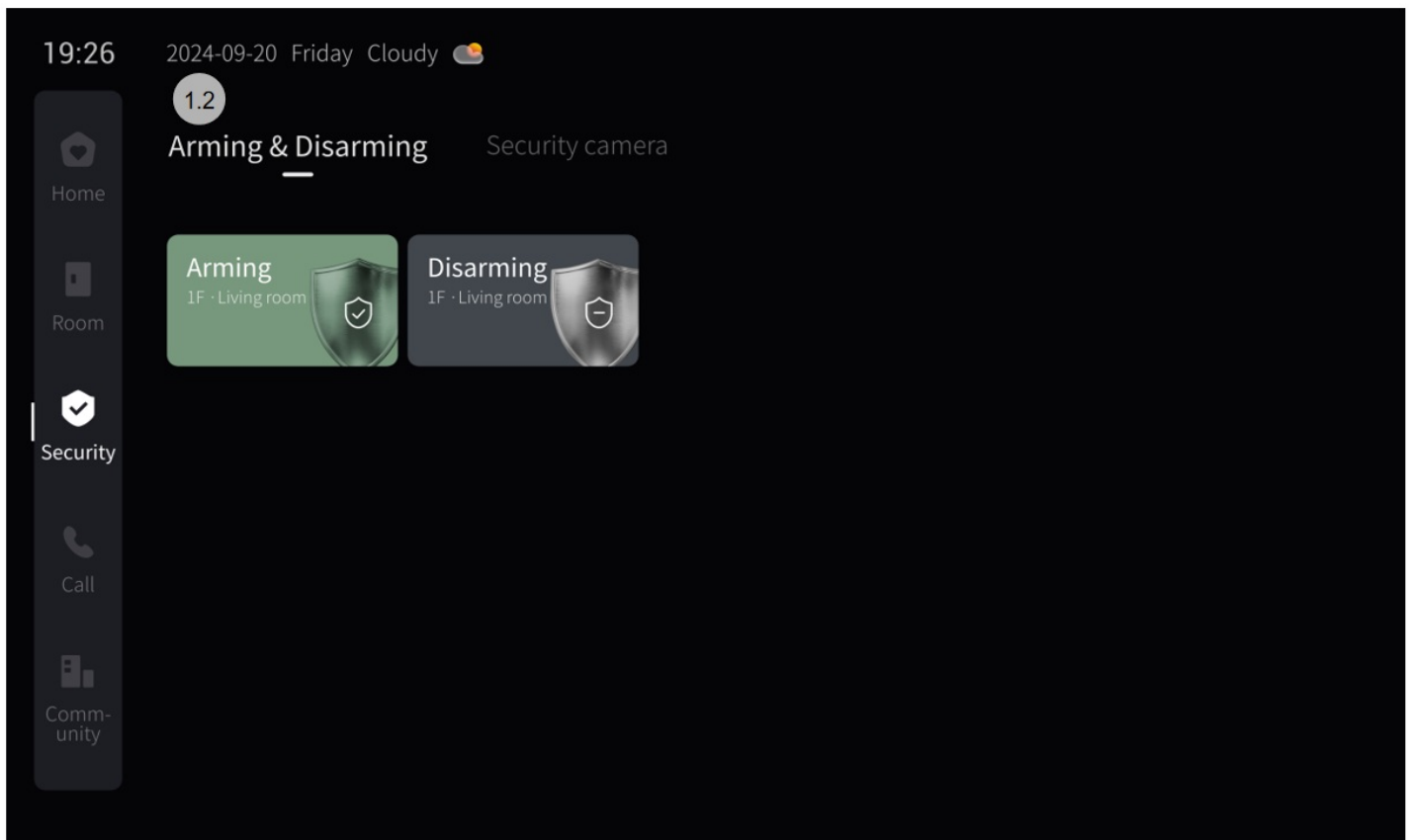
The "Security" screen is used to view the camera screen of the door unit.

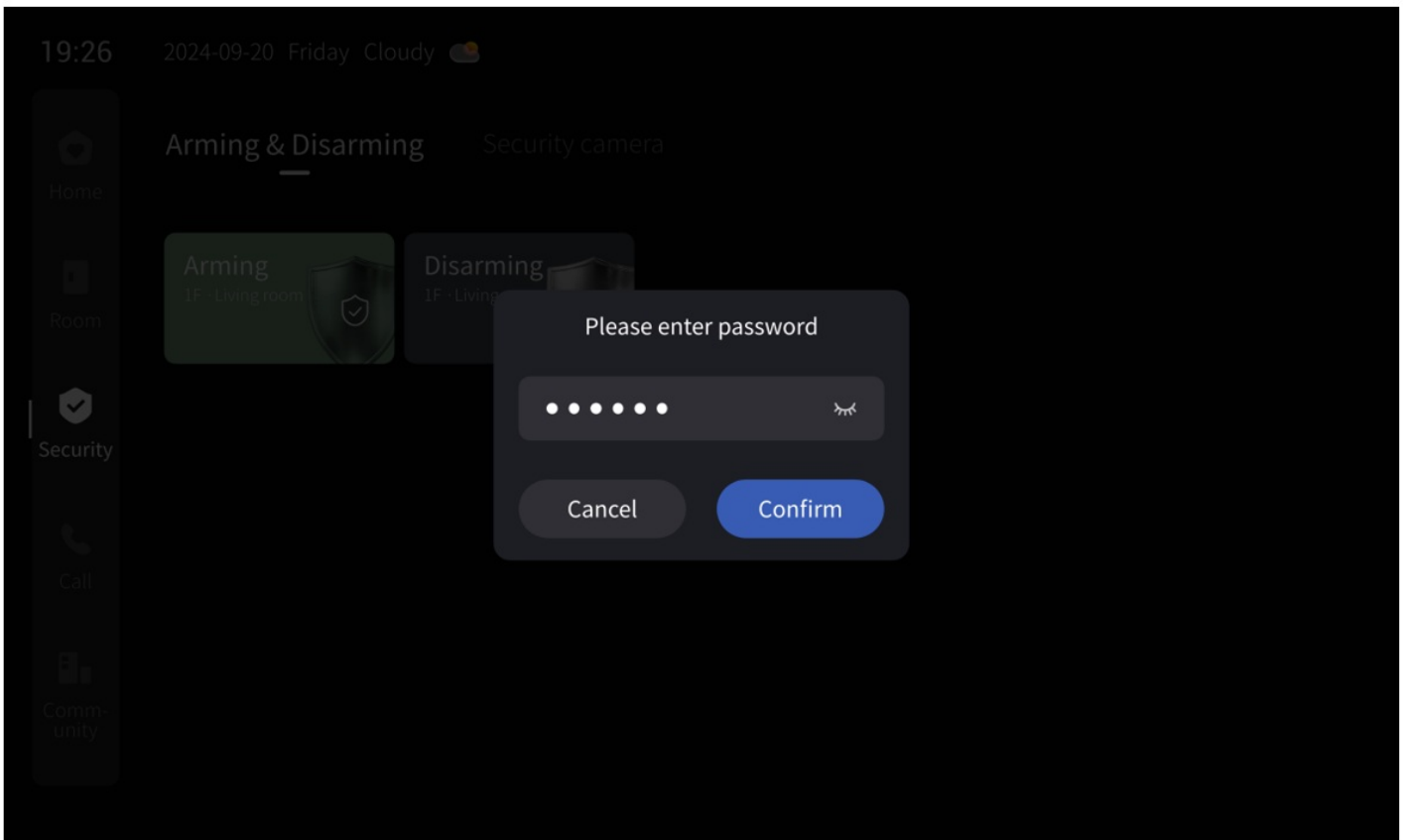
1.1. Click "Security Monitor", select the door unit, and view the camera screen of the door unit.



1.2. Arming and Disarming: Click to enter the “Arming and Disarming” page to view all security events; click on the desired object to enable or disable it.

Tip: If you want to disarm, please follow the instruction to enter the password. The default password is “123456”.



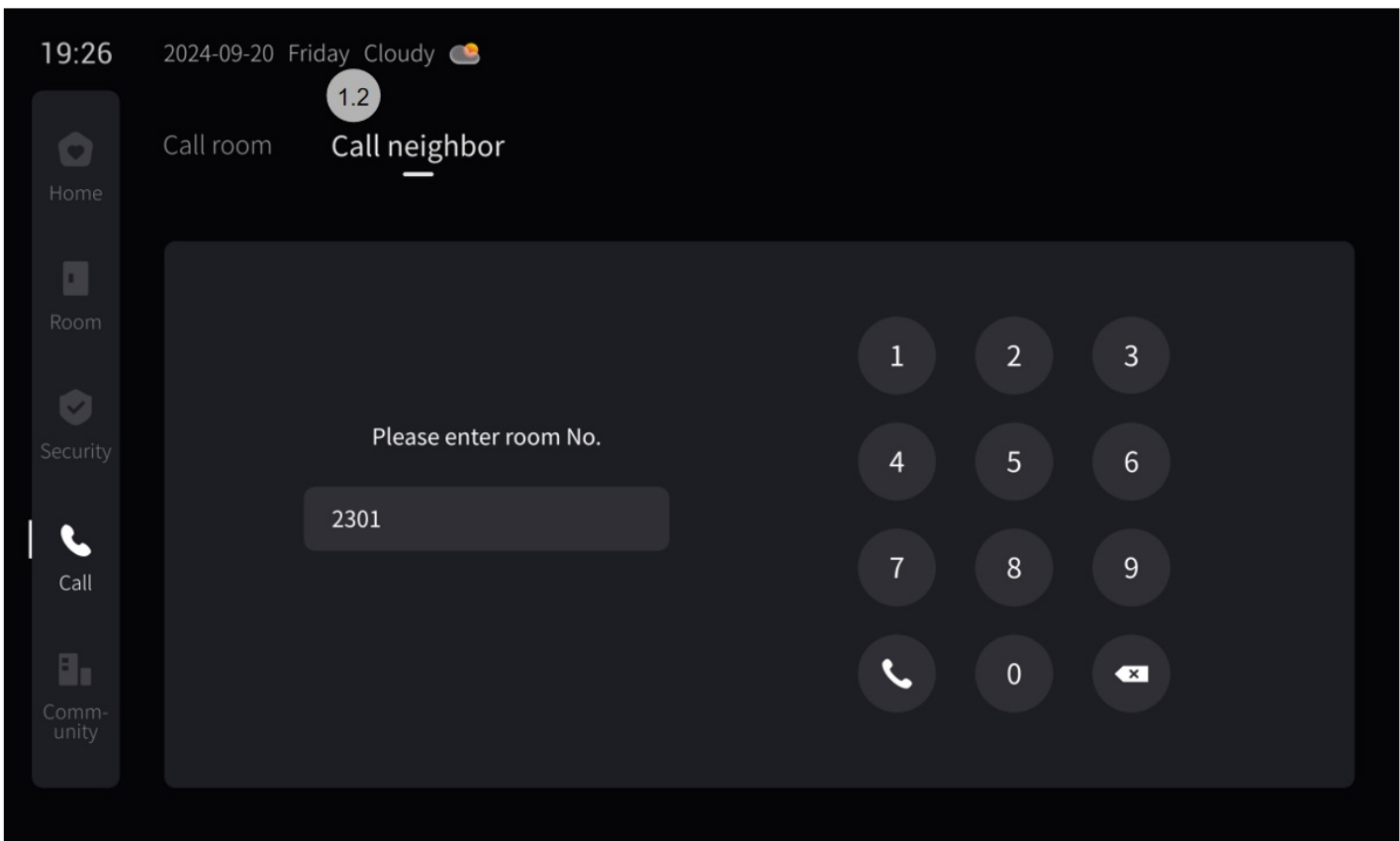
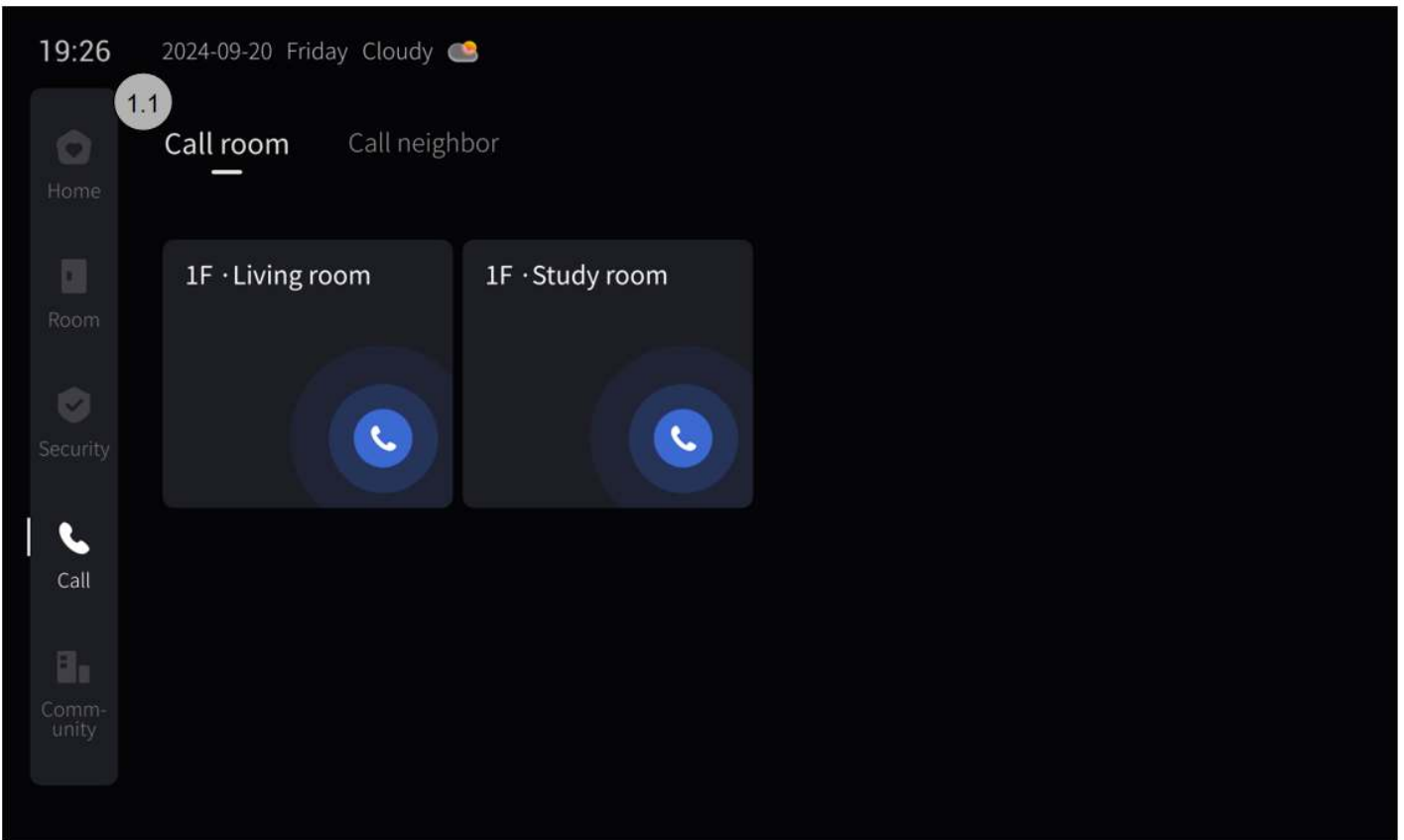


4. Calls

If other Source panels are also bound to the current residential project, users can enter the "Call" page to view the configured area of the device, and make a call to the call.

1.1 Call Room: Click "Call Room" to display the rooms that have been configured by other Source devices; select the desired object and make a call.

1.2. Call Neighbor: Click "Call Neighbor", enter the room number and make a call.



◆◆ Packing List

- Source 10*1

- Bracket * 1
- Instruction manual QR code and certificate of conformity * 1

◆◆ Warranty

Warranty period (five years from the date of invoice), if the product fails in normal use, the user can go to the nearest authorized institution with a valid warranty card to obtain free maintenance.

In the following cases, HDL regards the user as giving up the relevant services promised under the warranty and the user shall bear the corresponding responsibility and shall not be entitled to the free warranty:

- Failure of the device caused by force majeure factors.
- The user has placed the device in a transportation or use environment that does not comply with the statements in the product instructions or technical manuals.
- Unauthorized disassembly of the product by the user.
- Promises not made officially by HDL to the user that are beyond the scope of the warranty are the responsibility of the promisor.

HDL reserves the right to update or change the product without prior notice to the user, please visit the HDL website for answers to your questions and the latest product information.

The final interpretation right of the warranty regulations belongs to HDL.

◆◆ Copyright Statement

HDL has all the intellectual property rights to this document and contents thereof. Reproduction or distribution for third parties are prohibited without written authorization from HDL. Any infringement of HDL's intellectual property rights will be investigated the legal liability.

The contents of this document will be updated as the updates of product versions or other reasons. Unless otherwise agreed upon, this document is to be used as a guidance only. All the statements, information and recommendations in this document makes no warranty expressed or implied.

© 2024 HDL Automation Co., Ltd. All rights reserved.

Update History

The form below contains the information of every update. The latest version contains all the updates of all former versions.

Version	Update Information	Date
V1.0	Initial release	August 30, 2024
V1.1	Revision of overview, operating instructions	September 7, 2024

◆◆ Technical Support

E-mail: hdtickets@hdlautomation.com

Website: <https://www.hdlautomation.com>