

M/MPTLC43.1

KNX 4.3-Inch Enviro Touch Screen

Hardware Version: A2



Datasheet

Issued: March 31, 2022

File Edition: V1.0.1



Figure 1. KNX 4.3-Inch Enviro Touch Screen

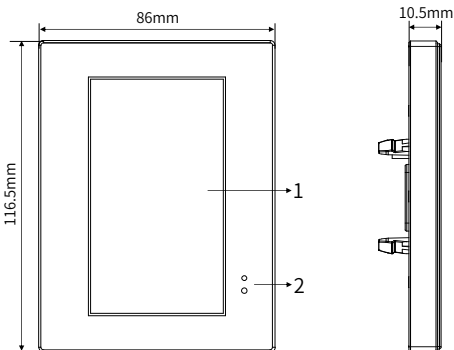


Figure 2. Dimensions - Front View Figure 3. Dimensions - Side View

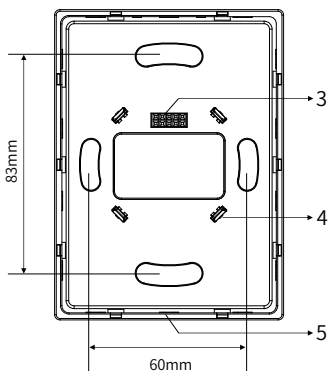


Figure 4. Dimensions - Back View

Overview

KNX 4.3-Inch Enviro Touch Screen (See Figure 1) is a multi-function touch panel which supports the control of lighting, switches, air conditioners, FCU, music and floor heating etc. The 4.3-Inch Enviro Touch Screen adopts 4.3-inch true color LCD screen and supports full touch screen control, which is easy and convenient to operate.

Its functions include:

- Built-in temperature sensor
- Adjustable backlight brightness
- The interface icons can be replaced.
- The screen wakes up automatically.
- Displays current time and temperature
- The controller will automatically switch to the clock standby interface according to the preset time. Then the panel will dim and enter power-saving mode.
- With multiple control pages, the panel can control lighting, switches, air conditioners, FCU, music playback, floor heating, etc.
- Supports various control types: Switch Control, Dimming Control, Shutter Control, Flexible Control, Scene Control, Sequence Control, Percentage Control, Threshold Control, String (14 bytes) Control, Alternate Control, Pulse Control, RGB Control, Fan Control, Combination Control.

Components and Operation

Dimensions - See Figure 2 - 4

- 1. LCD screen:** 4.3-inch touch screen, used for icon display and touch control. The LCD brightness can be adjusted and the icons can be changed.
- 2. Proximity sensor:** IR detection, when someone approaches the panel, the LCD screen will wake up.
- 3. Communication interface:** KNX connector for connecting to KNX Panel Power Interface US (with External Power Supply) (M/PCI2PU.2)
- 4. Mounting slot:** Connects to KNX Panel Power Interface US (with External Power Supply) .
- 5. Split gap:** Insert a slotted screwdriver to the split gap, then separate the panel and power interface.

Important Notes

- The panel must be wall box installation.
- The panel must work in conjunction with KNX Panel Power Interface US (with External Power Supply) (M/PCI2PU.2).
- The device is compliant with the KNX standard and the parameters are set by the Engineering Tool Software (ETS).
- Change icons via HDL KNX Assistant Software.



Safety Precautions

- The installation and testing for the product must be carried out by HDL Automation Co., Ltd. or its appointed service agencies. The electric construction shall comply with local laws and safety regulations.
- HDL will not be responsible for any consequence caused by the inexpert or faulty installation and wiring methods, which are not in accordance with the instructions contained in this operating instruction.
- Please do not privately disassemble or replace any parts of the product. Otherwise, it may cause mechanical fault, electric shock, fire or personal injuries.
- Please contact our after-sales departments or our designated service agencies for your maintenance service. Product failures caused by private disassembly are not subject to this warranty.

Package Contents

M/MPTLC43.1*1 / Datasheet*1

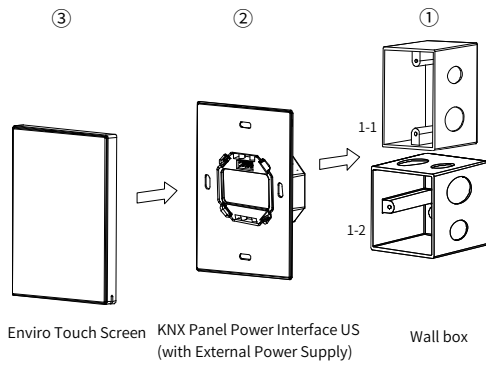


Figure 5. Installation

Technical Data

Basic Parameters

Working voltage	21~30V DC
Working current	21mA/30V DC
Auxiliary voltage	20~30V DC
Auxiliary current	10mA/24V DC
Communication	KNX
Cable diameter of KNX terminal	0.6 - 0.8mm

External Environment

Working temperature	-5°C~45°C
Working relative humidity	≤90%
Storage temperature	-20°C~60°C
Storage relative humidity	≤93%

Specifications

Dimensions	86×116.5×10.5(mm)
Net weight	137.5g
Housing material	Glass, Aluminum, PC, ABS
Installation	Wall box (See Figure 5)
Protection rating (Compliant with EN 60529)	IP20

Approved

CE, RoHS

KNX

KNX Cable Guide

KNX	KNX Cable
-	Black
+	Red

Installation

Installation - See Figure 5

Step ①: Install the wall box (1-1 or 1-2) in the wall.

Step ②: Fix the KNX Panel Power Interface US (with External Power Supply) onto the wall box with screws.

Step ③: Hold the edge of panel, and insert the panel in the slots of power interface vertically.

Technical support

E-mail: hdltickets@hdlautomation.com

Website: <https://www.hdlautomation.com>

©Copyright by HDL Automation Co., Ltd. All rights reserved.
Specifications subject to change without notice.