

51CH Hotel Room Control Host 2.0

Datasheet



MH48IP-II-HT.231



Please scan the QR code above to check the latest version of datasheet!

Before using this product, please read this datasheet carefully and keep it properly!

Document Version: C

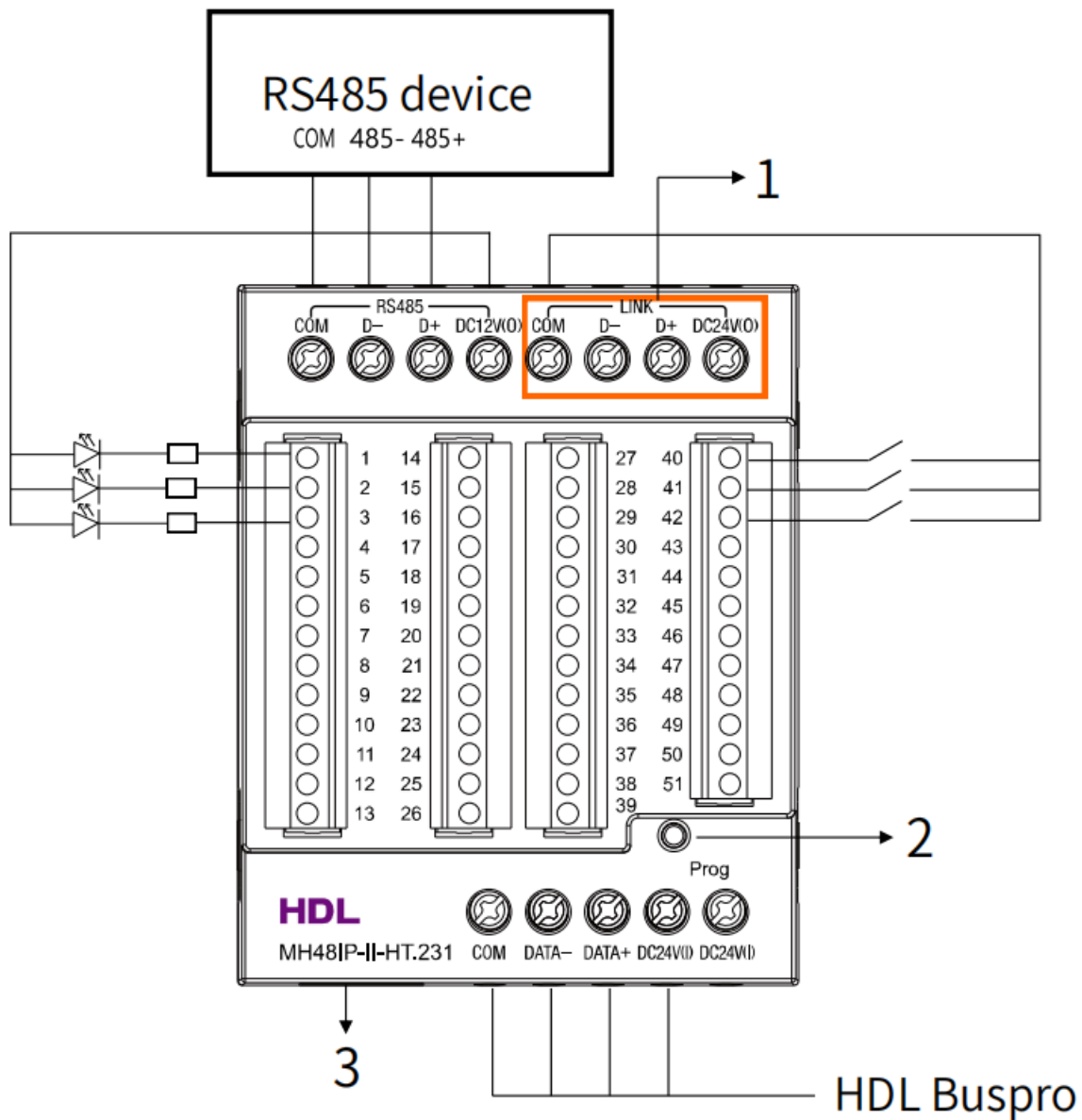
◆◆ Overview

Hotel Room Control Host 2.0 has 51 dry contacts, 2 RS485 expansion interfaces, 1 Buspro bus interface and 1 UDP network communication interface. The control host can control doorbell panels, curtains, lights, fans, air conditioners, floor heating and other devices.

Key functions:

- Through RJ45 port, UDP network communication is adopted, so that rooms, hotel room management software, debugging software and hotel property management system are interconnected, and information such as hotel room check-in, check-out and service is realized.
- Two RS485 interfaces, one RS485 interface is used for docking of third-party devices; the other Link interface supports HDL Inner Bus control.
- Buspro interface, supports HDL Buspro standard control.
- The control host has 48 common channels, which can be used to control relays and dimmers.
- Two modes are available: card-free power-taking and card-inserting power-taking
- Supports up to 8 air conditioners, 8 curtain motors, 4 fans, and 3 floor heating devices. The control status of air conditioners, curtains, lamps and other equipment can be synchronized to various control terminals.
- 51 dry contacts, support multiple mode selection and input and output settings.
- Personalized doorbell control methods are available.
- Supports 50 scenes, each scene can be configured with 32 targets.
- 48 general logics and 8 normally used fixed logics.
- Supports system time setting.
- Saves the last history record.

◆◆ Appearance



Input/ Output channel

The hotel host supports 51 channels. Each channel can be set as input or output channel. The user is recommended to make a plan for cable connection in advance.

Take No.1-3 channels as example, they are LED lights output channels, and a resistor should be connected to the LED. (Resistance range 470Ω-2kΩ is recommended.)

Take No.40-42 channels as an example, they are dry contact input channels.

1. INNER Buspro cable connects to hotel host

2. Programming button & indicator

When the hotel host runs normally, the indicator flickers in green. Keep pressing the programming button for 10 seconds, the indicator turns red, then restore the factory settings.

Default setting parameters:

- IP: 192.168.10.250
- Router IP:192.168.10.1 Port: 6006 (Port 6000 is used for manual upgrade.)

3. RJ45 port: UDP/IP port

HDL Buspro:

Buspro interface. This module has 2 independent 24V DC terminals, one of which can work as backup power supply. When only one of them is connected, the module can work properly.

◆◆ Technical Data

| Item | Parameter |
|---------------------------|---------------------------------|
| Working voltage | 20~30V DC |
| Working current | 600mA/24V DC |
| RJ45 interface | UDP/IP network Interface |
| Communication interface | HDL Buspro, Inner Buspro, RS485 |
| Working temperature | -5°C~45°C |
| Working relative humidity | ≤90% |
| Storage temperature | -20°C~60°C |
| Storage relative humidity | ≤93% |

◆◆ Specifications

| Item | Parameter |
|---|----------------------------|
| Dimensions | 72mm×90mm×67.5mm |
| Net weight | 130g |
| Housing material | Nylon, PC |
| Installation | 35mm DIN rail installation |
| Protection rating (Compliant with EN 60529) | IP20 |
| Approved | CE RoHS |

◆◆ Safety Precaution

Notes:

- Buspro cable - CAT5E or dedicated HDL Buspro cable.
- Buspro connection - Series connection (hand-in-hand recommended).
- RJ45 cable - CAT5E.

- Inner Buspro cable - CAT5E.

Caution:

- The installation and testing for the product must be carried out by HDL Automation Co., Ltd. or its appointed service agencies. The electric construction shall comply with local laws and safety regulations.
- The device should be installed with DIN rail in distribution box. HDL will not be responsible for any consequence caused by the inexpert or faulty installation and wiring methods, which are not in accordance with the instructions contained in this operating instruction.
- Please do not privately disassemble or replace any parts of the product. Otherwise, it may cause mechanical fault, electric shock, fire or personal injuries.
- Please contact our after-sales departments or our designated service agencies for your maintenance service. Product failures caused by private disassembly are not subject to this warranty.

◆◆ Wiring

| HDL Buspro | HDL Buspro Cable | CAT5/CAT5E |
|------------|------------------|--------------------------|
| DATA+ | Yellow | Blue/Green |
| DATA- | White | Blue white/Green white |
| COM | Black | Brown white/Orange white |
| 24V DC | Red | Brown/Orange |

◆◆ Installation

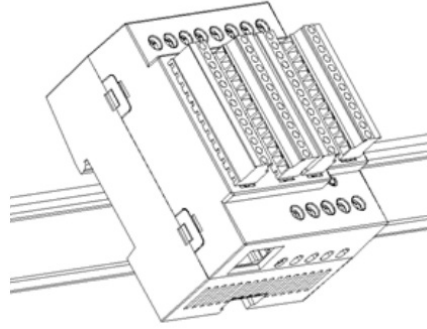
Step 1. Fix the DIN rail with screws.

Step 2. Buckle the bottom cap of the Hotel Room Control Host 2.0 on the edge of the DIN rail.

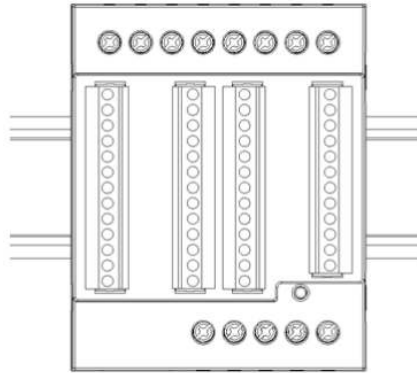
Step 3. Press the device on the DIN rail, slide it and fix it up until an appropriate position is adjusted.



↓1



↓2



◆◆ Packing List

- MH48IP-II-HT.231*1

◆◆ Copyright Statement

HDL has all the intellectual property rights to this document and contents thereof. Reproduction or distribution for third parties are prohibited without written authorization from HDL. Any infringement of HDL's intellectual property rights will be investigated the legal liability.

The contents of this document will be updated as the updates of product versions or other reasons. Unless otherwise agreed upon, this document is to be used as a guidance only. All the statements, information and recommendations in this document makes no warranty expressed or implied.

© 2025 HDL Automation Co., Ltd. All rights reserved.

Update History:

The form below contains the information of every update. The latest version contains all the updates of all former versions.

| Version | Update Information | Date |
|---------|--------------------|----------------|
| V1.0 | Initial release | April 17, 2025 |

◆◆ Technical Support

E-mail: hdltickets@hdlautomation.com

Website: <https://www.hdlautomation.com>