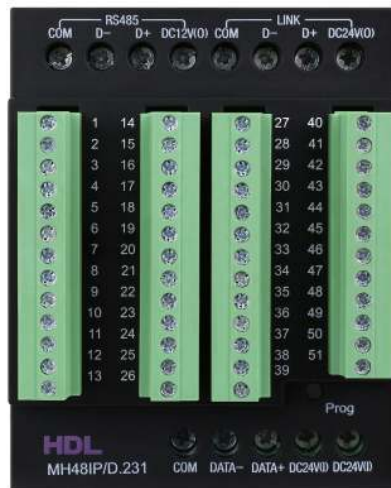


# Hotel Room Control Host

## Datasheet



HDL-MH48IP/D.231



Please scan the QR code above to check the latest version of datasheet!

Before using this product, please read this datasheet carefully and keep it properly!

Document Version: C

## ◆◆ Overview

Hotel Room Control Host supports hotel room host control and dry contact function. It has 48 channels. The hotel room host can control and monitor doorbell panels, curtains, lights, fans and air conditioners via the Hotel Management Software (IHMS) after parameter setting.

### **Key functions:**

- The hotel host supports 48 channels, each dimmer channel has parameters for lower limit, the higher limit, the maximum limit.
- There are 50 scenes in total, and each scene's delay time is 0-250 seconds.
- The protection delay time of each channel is 0-60 minutes.
- The delay turn on time of each channel is 0-250 seconds.
- The Host can run the preset scenes or settings according to the identification of the card owner.
- Monitors and controls air conditioners, curtains, lightings, room status, and uploads the status of air conditioners, curtains, lightings and other status to the monitor software of the server in real time.
- Receives various panel control signal, and process the control signal of channels and modules.
- Network connection. The hotel room control host has a RJ45 port, which can connect to each room, reception and IHMS. Through IHMS, the module can integrate with the third party management software to exchange information.
- Supports RS485 communication devices.
- Supports dry contact function and has 51-channel dry contacts. The channel input, channel output and control targets can be set via the IHMS.

## ◆◆ Appearance

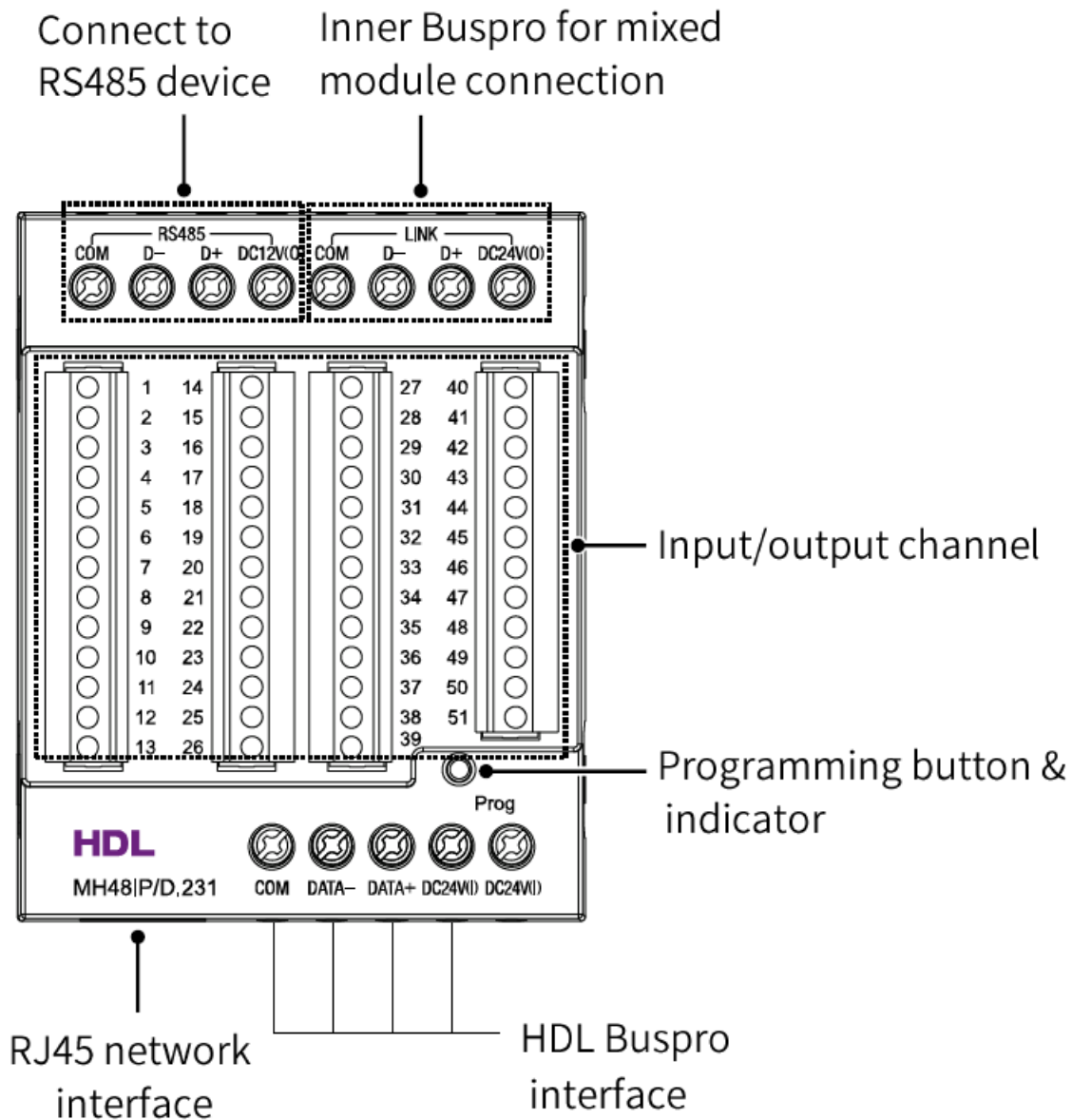


Figure 1

### Input/ Output channel

The hotel host supports 51 channels. Each channel can be set as input or output channel. The user is recommended to make a plan for cable connection in advance.

Take No.1-3 channels as example, they are LED lights output channels, and a resistor should be connected to the LED. ( Resistance range 470Ω-2kΩ is recommended.)

Take No.40-42 channels as an example, they are dry contact input channels.

1. INNER Buspro for mixed module connection
2. Programming button & indicator

When the hotel host runs normally, the indicator flickers in green. Keep pressing the programming button for 10 seconds, the indicator turns red, then restore the factory settings.

Default setting parameters:

IP: 192.168.10.250

Router IP:192.168.10.1 Port: 6006

3. RJ45 network interface: UDP/IP port

4.HDL Buspro interface. This module has 2 independent 24V DC terminals, one of which can work as backup power supply.

When only one of them is connected, the module can work properly.

## ◆◆ Technical Data

Item	Parameter
Rated voltage	24V DC
Rated current	600mA/24V DC
Communication protocol	Buspro
RJ45 interface	UDP/IP network Interface
Communication interface	HDL Buspro, Inner Buspro
Working temperature	-5°C~45°C
Working relative humidity	≤90%RH
Storage temperature	-20°C~60°C
Storage relative humidity	≤93%RH

## ◆◆ Specifications

Item	Parameter
Dimensions	72mm×90mm×67.5mm
Net weight	130g
Housing material	Nylon, PC
Installation	35mm DIN rail installation
Protection rating (Compliant with EN 60529)	IP20
Approved	CE RoHS

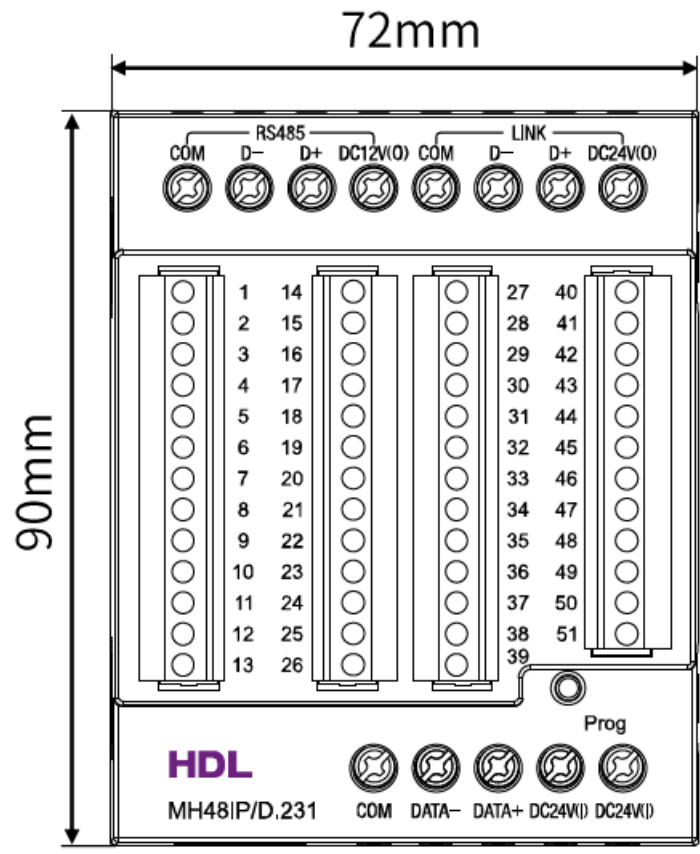


Figure 2

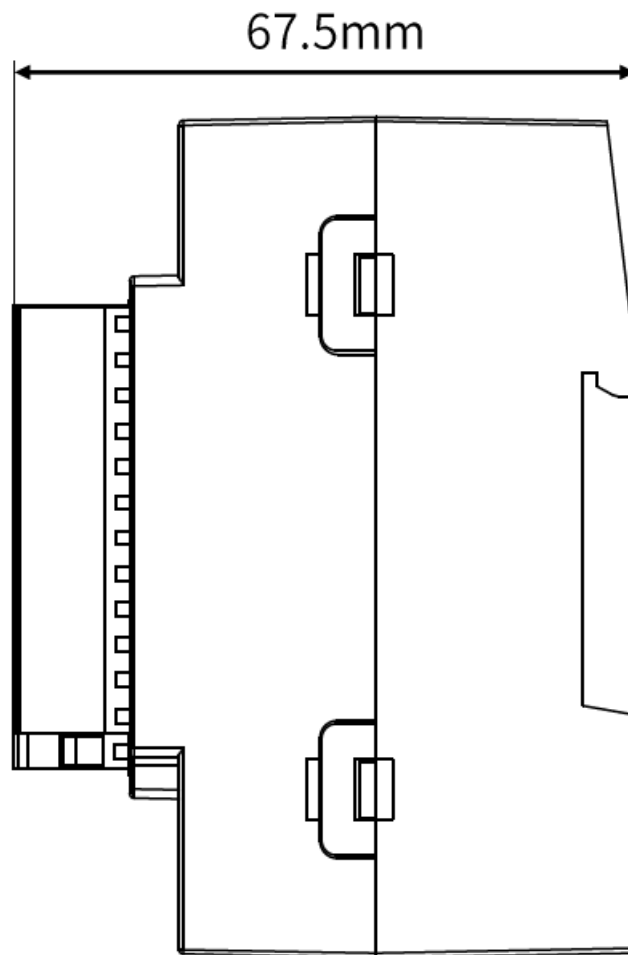


Figure 3

## ◆◆ Safety Precaution

### Notes:

- Buspro cable - CAT5E or dedicated HDL Buspro cable.
- Buspro connection - Series connection (hand-in-hand recommended).
- RJ45 cable - CAT5E.
- Inner Buspro cable - CAT5E.

### Caution:

- The installation and testing for the product must be carried out by HDL Automation Co., Ltd. or its appointed service agencies. The electric construction shall comply with local laws and safety regulations.
- The device should be installed with DIN rail in distribution box. HDL will not be responsible for any consequence caused by the inexpert or faulty installation and wiring methods, which are not in accordance with the instructions contained in this operating instruction.
- Please do not privately disassemble or replace any parts of the product. Otherwise, it may cause mechanical fault, electric shock, fire or personal injuries.

- Please contact our after-sales departments or our designated service agencies for your maintenance service. Product failures caused by private disassembly are not subject to this warranty.

## ◆◆ Wiring

Warning: Before performing any wiring procedures on the device, it is crucial to disconnect the device from all voltage sources.

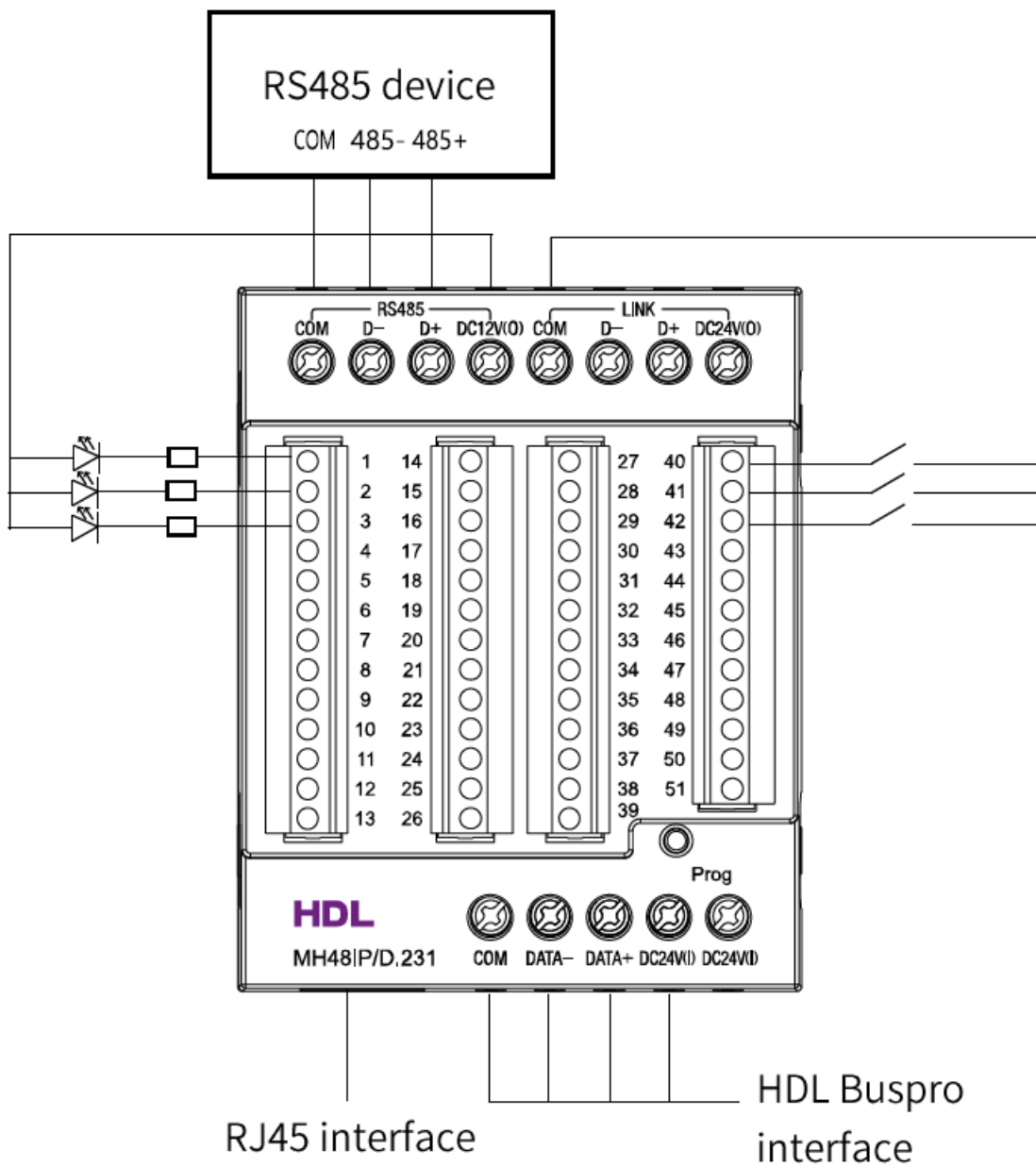


Figure 4

## ◆◆ Installation

Warning: Before performing any installation procedures on the device, it is crucial to disconnect the device from all voltage sources.

Step 1. Fix the DIN rail with screws.

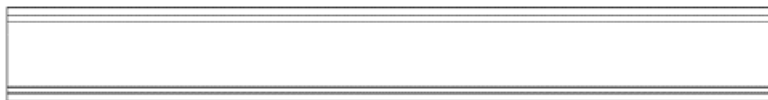


Figure 5

Step 2. Buckle the bottom cap of the 51Hotel Room Control Host on the edge of the DIN rail.

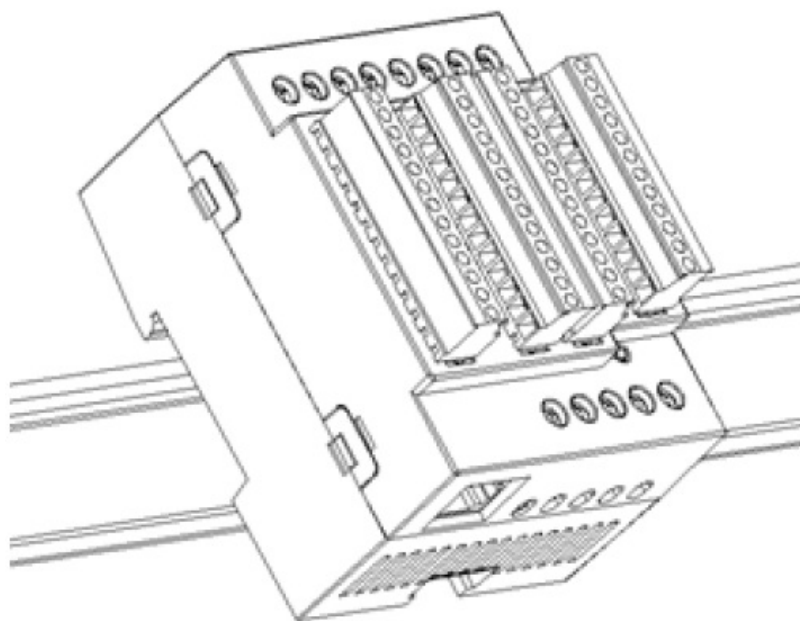


Figure 6

Step 3. Press the device on the DIN rail, slide it and fix it up until an appropriate position is adjusted.

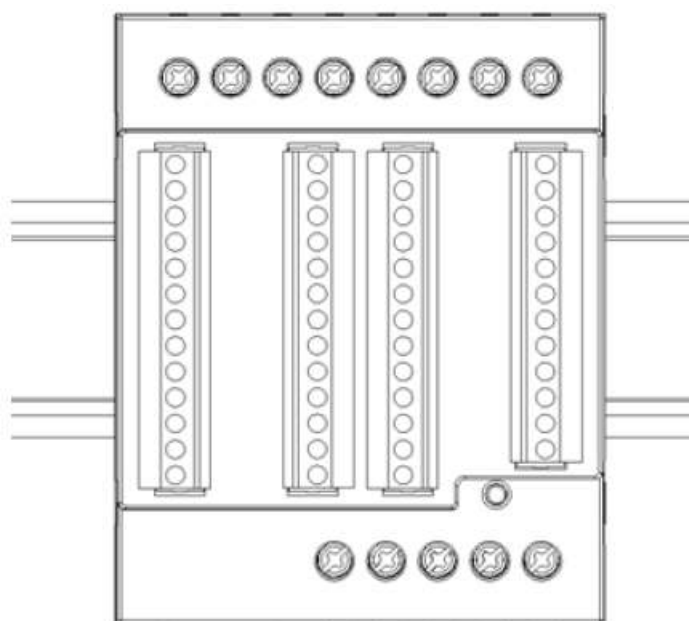


Figure 7

## ◆◆ Packing List

- Hotel Room Control Host\*1
- PET label\*2

## ◆◆ Copyright Statement

HDL has all the intellectual property rights to this document and contents thereof. Reproduction or distribution for third parties are prohibited without written authorization from HDL. Any infringement of HDL's intellectual property rights will be investigated the legal liability.

The contents of this document will be updated as the updates of product versions or other reasons. Unless otherwise agreed upon, this document is to be used as a guidance only. All the statements, information and recommendations in this document makes no warranty expressed or implied.

© 2025 HDL Automation Co., Ltd. All rights reserved.

Update History:

The form below contains the information of every update. The latest version contains all the updates of all former versions.

<b>Version</b>	<b>Update Information</b>	<b>Date</b>
V1.0	Initial release	July 10, 2025
V1.1	Update technical parameters	November 13, 2025

## ◆◆ Technical Support

E-mail: [hdltickets@hdlautomation.com](mailto:hdltickets@hdlautomation.com)

Website: <https://www.hdlautomation.com>