

Panel Power Interface EU

Instruction Manual



MPFPIT-1P-BP.18

Before using this product, please read this manual carefully and keep it properly!

Document Version: C

◆◆ Overview

HDL Buspro Panel Power Interface EU is used with Buspro smart panels to provide working voltage and communication signals for the panel.

Note: The interface is shipped without a bracket, and needs to be installed with different series of panel interface brackets.

◆◆ Appearance

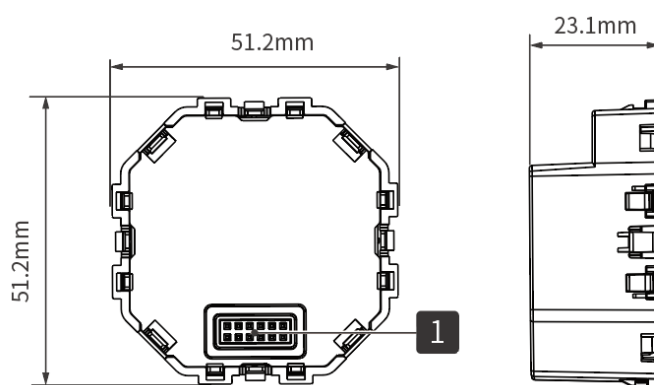


Figure 1

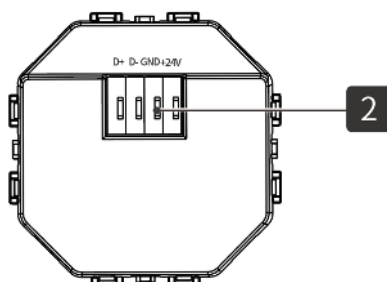


Figure 2

Product Appearance - See Figures 1&2

1. Communication Interface: Provides working voltage and communication signals.

2. HDL Buspro communication interface

◆◆ Technical Data

Item	Parameter
Rated voltage	24V DC
Working voltage	12V~30V DC
Rated current	400mA/24V DC
Output power	1A/5V DC
Communication protocol	Buspro

Cable diameter of Buspro terminal	0.6-0.8mm
Working temperature	-5°C~45°C
Working relative humidity	≤90%RH, non-condensed
Storage temperature	-20°C~60°C
Storage relative humidity	≤93%

◆◆ Specifications

Item	Parameter
Dimensions (W X H X D)	51.2mm×51.2mm×23.1mm
Net weight	23g
Housing material	PC
Installation	Wall box
IP degree (compliant with EN 60529)	IP20

◆◆ Safety Precaution

- Installation and commissioning of this equipment must be carried out by us or by an organization appointed by us. The planning and construction of the electrical connection of this equipment must comply with the relevant local safety standards and regulations.
- Any consequences caused by failure to install and wire according to this instruction are not related to our company.
- Please do not privately disassemble or replace any parts of the product. Otherwise, it may cause mechanical fault, electric shock, fire or personal injuries.
- Please refer all maintenance work to our after-sales department or designated organization, the warranty of this product does not apply to the failure caused by the user's disassembly of the product.

◆◆ Wiring

- For Buspro connection, a hand-in-hand connection is recommended. Please wire according to HDL standards: D+, D-, GND and +24V.

◆◆ Installation

Step ①: Install the wall box (the depth of wall box should not be less than 50mm) on the wall and lead out Buspro cable and the signal cable. Connect the cables, and pay attention to safe and reliable wiring.

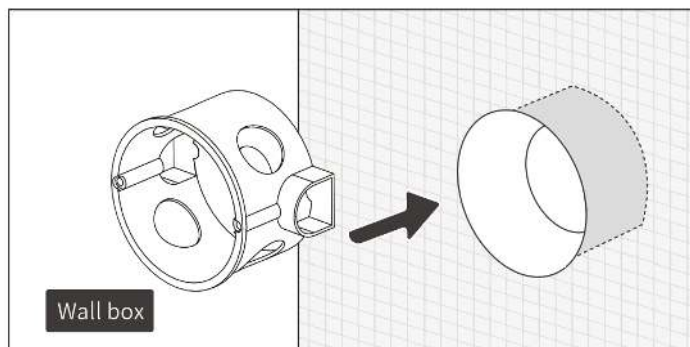


Figure 3

Step ②: Insert the power interface into the bracket.

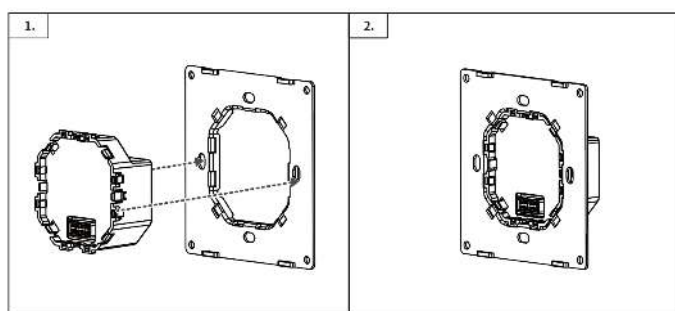


Figure 4

Step ③: Use screws to fix the power interface in the wall box.

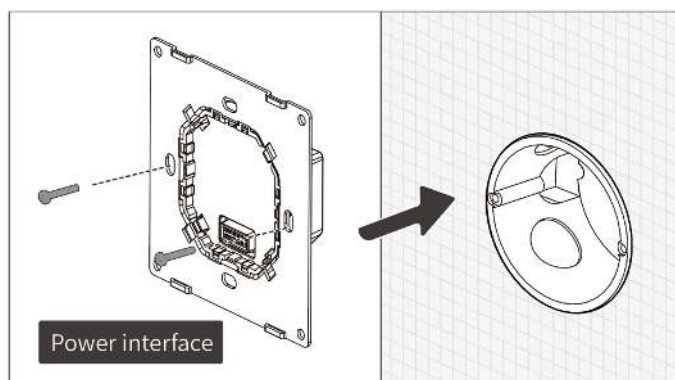


Figure 5

Step ④: Align the panel pins with the interface holes, press gently and install on the interface.

Step ⑤: Install the frame.

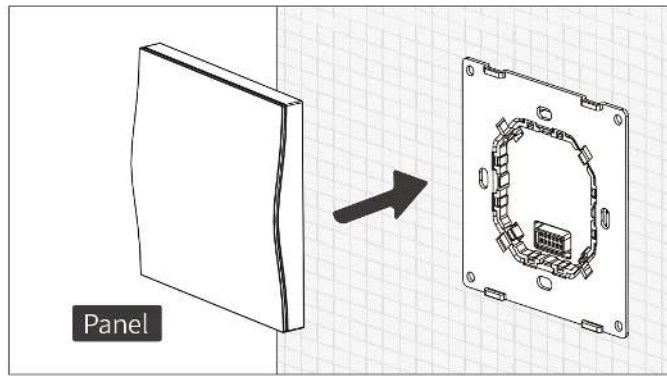


Figure 6

Note:

1. For multi-gang installation, use the multi-gang bracket and Buspro communication interface should face upwards during installation. (see Figure 7&8)

2. Insert the bracket slots into the frame tightly.

Multi-gang installation:

- Supports horizontal and vertical installation;
- Horizontal installation supports up to 4 rows;
- Vertical installation supports up to 4 columns.

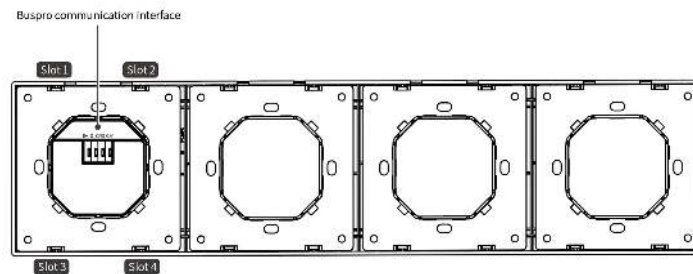


Figure 7

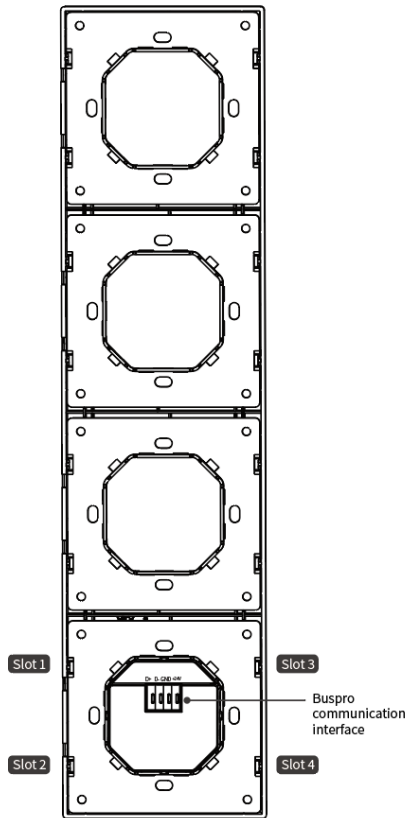


Figure 8

Arrow markings are as follows:

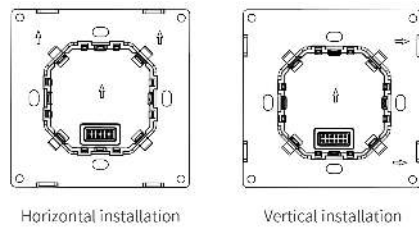


Figure 9

◆◆ Disassembly

Warning: Before performing any installation or disassembly procedures on the device, it is crucial to disconnect the device from all voltage sources.

Step 1. It is recommended to use a screwdriver to loosen the frame from the opening.

Step 2. After taking off the panel, use a Phillips screwdriver to remove the power interface.

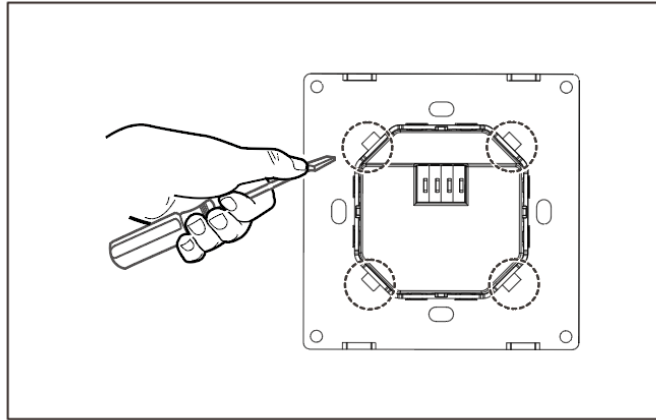


Figure 10

◆◆ Operation

Properly wire and get the device power on.

◆◆ Packing List

- Buspro Panel Power Interface EU*1
- M4 x 40mm long screws*2
- M4 x 25mm short screws*2
- Buspro connector*1

◆◆ Copyright Statement

HDL has all the intellectual property rights to this document and contents thereof. Reproduction or distribution for third parties are prohibited without written authorization from HDL. Any infringement of HDL's intellectual property rights will be investigated the legal liability.

The contents of this document will be updated as the updates of product versions or other reasons. Unless otherwise agreed upon, this document is to be used as a guidance only. All the statements, information and recommendations in this document makes no warranty expressed or implied.

© 2025 HDL Automation Co., Ltd. All rights reserved.

Update History:

The form below contains the information of every update. The latest version contains all the updates of all former versions.

Version	Update Information	Date
---------	--------------------	------

V1.0	Initial release	September 28, 2024
V1.1	Update information of brackets	September 2, 2025

◆◆ Technical Support

E-mail: hdtickets@hdlautomation.com

Website: <https://www.hdlautomation.com>