

# Panel Power Interface EU (KNX)

## Instruction Manual



MPFPIT-1P-KT.18

Before using this product, please read this manual carefully and keep it properly!

Document Version: C

## ◆◆ Overview

HDL KNX Panel Power Interface EU is used with KNX smart panels to provide working voltage and communication signals for the panel.

Note: This interface is an HDL universal panel interface, and the interface brackets are different for different panel series, so the shipment does not come with a interface bracket. The bracket needs to be purchased separately.

## ◆◆ Appearance

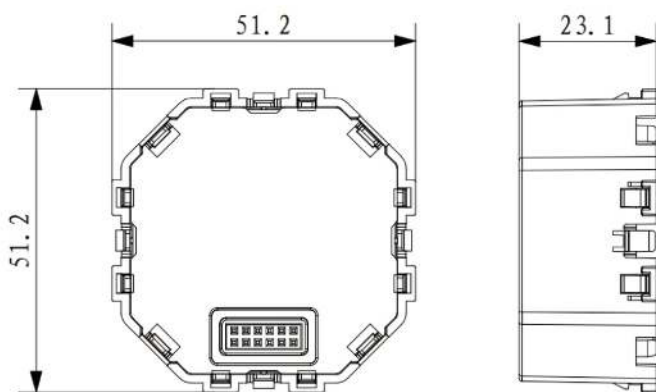


Figure 1

Figure 2

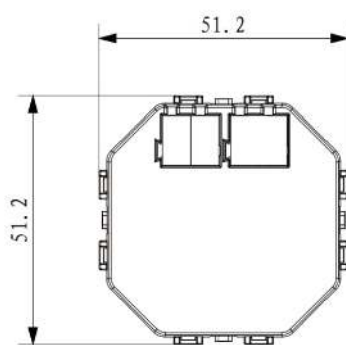


Figure 3

## ◆◆ Technical Data

Item	Parameter
Working voltage	21V~30V DC
Rated voltage	30V DC
Rated current	50mA
Output power	0.2A/5V DC
Communication protocol	KNX
Cable diameter of Buspro terminal	0.6-0.8mm
Working temperature	-5°C~45°C

Working relative humidity	≤90%RH, non-condensed
Storage temperature	-20°C~60°C
Storage relative humidity	≤93%

## ◆◆ Specifications

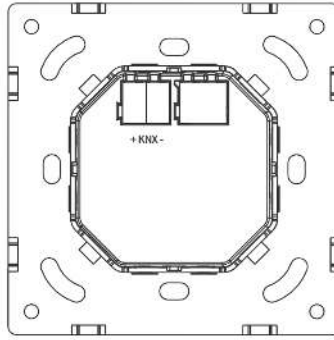
Item	Parameter
Dimensions (W X H X D)	51.2mm×51.2mm×23.1mm
Net weight	77.5g (Without bracket)
Housing material	PC
Installation	Wall box
IP degree (compliant with EN 60529)	IP20

## ◆◆ Safety Precaution

- Installation and commissioning of this equipment must be carried out by us or by an organization appointed by us. The planning and construction of the electrical connection of this equipment must comply with the relevant local safety standards and regulations.
- Any consequences caused by failure to install and wire according to this instruction are not related to our company.
- Please do not privately disassemble or replace any parts of the product. Otherwise, it may cause mechanical fault, electric shock, fire or personal injuries.
- Please refer all maintenance work to our after-sales department or designated organization, the warranty of this product does not apply to the failure caused by the user's disassembly of the product.

## ◆◆ Wiring

- There are Panel Power Interface and Panel Power Interface With Auxiliary Power Supply EU.
- Please wire according to HDL standards: KNX+ and KNX-.



Panel Power Interface EU(KNX)  
Figure 4

## ◆◆ Installation

- **Warning:** Before installation, please cut off the power supply, it is strictly prohibited to operate with electricity.
- **Caution:** Disconnect the power supply before installation and do not operate with electricity.

Step 1. According to the actual needs of installing horizontal or vertical rows, insert the power interface into the frame to make it a whole;

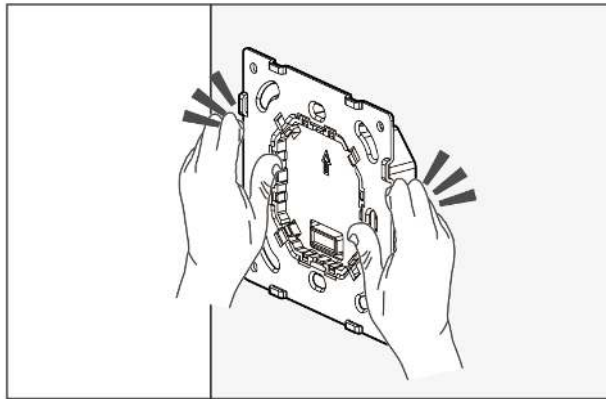


Figure 5

Step 2. Make an opening in the wall to mount the wall box into it;

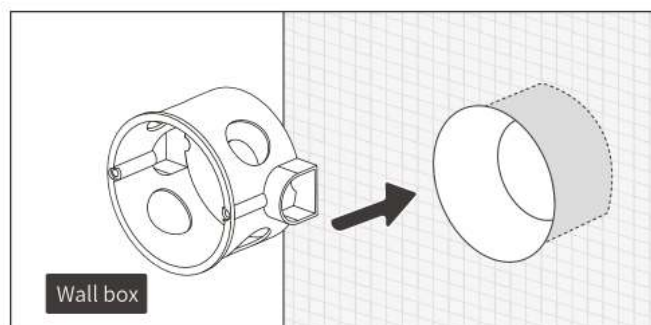


Figure 6

Step 3. Aim the screws on both sides of the interface at the holes in the wall box, install them together and lock the screws;

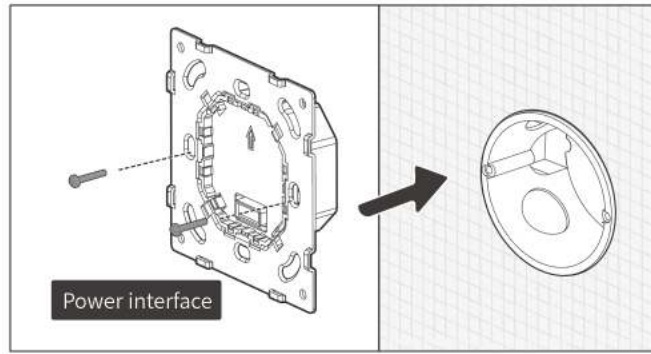


Figure 7

Step 4. Align the panel pins with the interface holes, press gently and install on the interface;

Step 5. Install the frame.

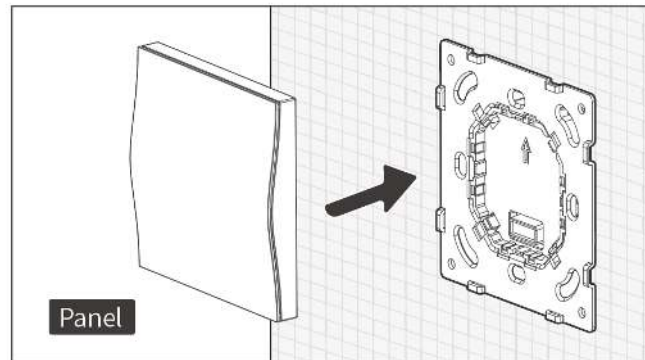


Figure 8

Multi-gang installation:

- Supports horizontal and vertical installation;
- Horizontal installation supports up to 4 rows;
- Vertical installation supports up to 4 columns.

## ◆◆ Disassembly

Warning: Before performing any installation or disassembly procedures on the device, it is crucial to disconnect the device from all voltage sources.

Step 1. It is recommended to use a screwdriver to loosen the frame from the opening.

Step 2. After taking off the panel, use a Phillips screwdriver to pry the four mounting hooks on the back of the interface and remove it.

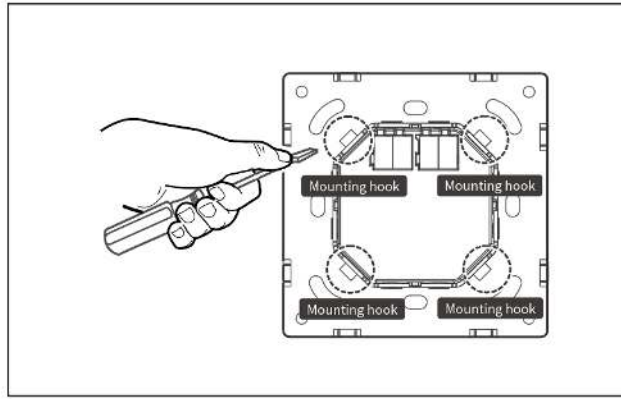


Figure 9

## ◆◆ Operation

Properly wire and get the device power on.

## ◆◆ Packing List

- Panel Power Interface\*1
- M4 x 40mm long screws\*2
- M4 x 25mm short screws\*2

## ◆◆ Warranty

Warranty period (five years from the date of invoice), if the product fails in normal use, the user can go to the nearest authorized institution with a valid warranty card to obtain free maintenance.

In the following cases, HDL regards the user as giving up the relevant services promised under the warranty and the user shall bear the corresponding responsibility and shall not be entitled to the free warranty:

- Failure of the device caused by force majeure factors.
- The user has placed the device in a transportation or use environment that does not comply with the statements in the product instructions or technical manuals.
- Unauthorized disassembly of the product by the user.
- Promises not made officially by HDL to the user that are beyond the scope of the warranty are the responsibility of the promisor.

HDL reserves the right to update or change the product without prior notice to the user, please visit the HDL website for answers to your questions and the latest product information.

The final interpretation right of the warranty regulations belongs to HDL.

## ◆◆ Copyright Statement

HDL has all the intellectual property rights to this document and contents thereof. Reproduction or distribution for third parties are prohibited without written authorization from HDL. Any infringement of HDL's intellectual property rights will be investigated the legal liability.

The contents of this document will be updated as the updates of product versions or other reasons. Unless otherwise agreed upon, this document is to be used as a guidance only. All the statements, information and recommendations in this document makes no warranty expressed or implied.

© 2025 HDL Automation Co., Ltd. All rights reserved.

Update History:

The form below contains the information of every update. The latest version contains all the updates of all former versions.

<b>Version</b>	<b>Update Information</b>	<b>Date</b>
V1.0	Initial release	August 15, 2025

## ◆◆ Technical Support

E-mail: [hdltickets@hdlautomation.com](mailto:hdltickets@hdlautomation.com)

Website: <https://www.hdlautomation.com>