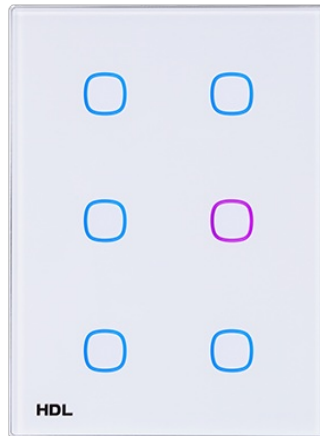


iTouch Series 6 Buttons Touch Panel US

Datasheet



M/TBP6.1-A2



Please scan the QR code above to check the latest version of datasheet!

Before using this product, please read this datasheet carefully and keep it properly!

Document Version: C

◆◆ Overview

iTouch Series 6 Buttons Touch Panel US (Model: M/TBP6.1-A2) enables control of switching, dimming, scenes, curtains, etc. With built-in RGB backlight, the color of each button can be set. In addition, the color of the glass surface and icons can be customized.

Key functions:

- Built-in temperature sensor.
- Available with 6 buttons.
- The backlight color of each button can be customized.
- Control types: Switch control, Dimming control, Shutter control, Flexible control, Scene control, Sequence control, Percentage control, Threshold control, String(14bytes) control, Alternate control, Pulse control, RGB control, Fan control, Combination control.
- Supports backlight brightness setting, button lock and button trigger.

◆◆ Appearance

A1. Control Button: Controls targets.

A2. Communication interface: Connects to panel power interface.

A3. Mounting slot: Connects to panel power interface.

Programming - Keep pressing the two buttons (Button A & B for M/TBP2.1, Button A & D for M/TBP4.1 or Button A & E for M/TBP6.1) for 2s, LED indicators will flash cyclically and the panel will enter programming mode.

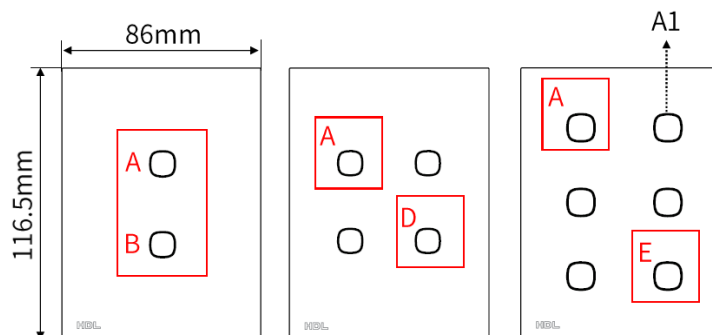


Figure 1

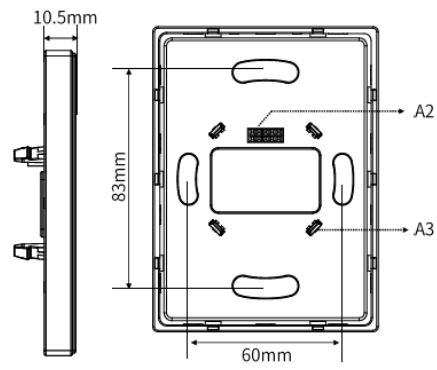


Figure 2

◆◆ Technical Data

Basic Parameters	
Rated voltage	30V DC
Rated current	13mA/30V DC
Communication protocol	KNX
Cable diameter of KNX terminal	0.6-0.8mm
External Environment	
Working temperature	-5°C~45°C
Working relative humidity	≤90%RH, non-condensed
Storage temperature	-20°C~60°C
Storage relative humidity	≤93%RH

◆◆ Specifications

Item	Parameter
Dimensions	86×116.5×10.5(mm)
Net weight	133g
Housing material	Glass, PC, ABS, Aluminum
Installation	Wall box
Protection rating (Compliant with EN 60529)	IP20
Approved	CE, RoHS

◆◆ Safety Precaution

Danger:

Please do not privately disassemble or replace any parts of the product. Otherwise, it may cause mechanical fault, electric shock, fire or personal injuries.

Warning:

- The installation and testing for the product must be carried out by HDL Automation Co., Ltd. (hereinafter referred to as HDL) or its appointed service agencies. The electric construction shall comply with local laws and safety regulations.
- HDL will not be responsible for any consequence caused by the inexperienced or faulty installation and wiring methods, which are not in accordance with the instructions contained in this datasheet.
- Please contact HDL after-sales departments or our designated service agencies for your maintenance service. Product failures caused by private disassembly are not subject to the warranty.

Caution:

- Before performing any installation or disassembly procedures, any maintenance or cleaning procedures on the device, it is crucial to disconnect the device from all voltage sources. This step is necessary to ensure the safety of the technician and prevent any potential damage to the device.
- Do not use corrosive liquid to wipe the device body, especially the interface, so to avoid damage to the device.
- Do not wipe the device with a damp cloth.
- Prior to performing maintenance or cleaning on the device, disconnect the device from all voltage sources, to avoid electric leakage and electric shock.
 - The panel should work in conjunction with the power interface (M/PCI.3-A).
 - The device is compliant with the KNX standard and the parameters are set by the Engineering Tool Software (ETS).
- After all of the cables are terminated, check for correct and good terminations.
- It is a MUST to install the device with wall box.
- Touch performance - Touch panel sensitivity should be adjusted after installation.

◆◆ Installation

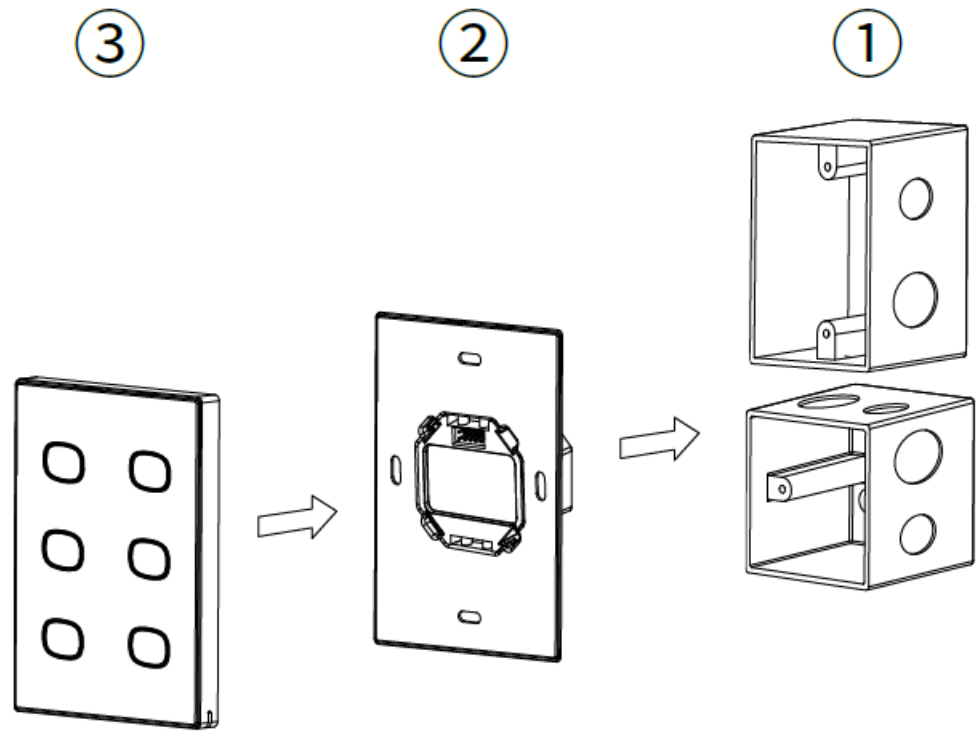
Note: Before installation, if the bracket has not been separated from the panel assembly, please refer to the disassembly instructions.

WARNING: Disconnect the power supply before installation and do not operate with electricity.

Step ①: Install the wall box in the wall.

Step ②: Fix the power interface onto the wall box with screws.

Step ③: Hold the edge of the panel, and insert the panel in the slots of power interface vertically.



iTouch Series Panel Power interface

Wall box

Figure 3

◆◆ Disassembly

Warning: Before performing any disassembly procedures on the device, it is crucial to disconnect the device from all voltage sources. This step is necessary to ensure the safety of the technician and prevent any potential damage to the device.

Step ①: Insert a straight screwdriver into the gap between the panel and power interface.

Step ②: Hold the panel, pry up the panel gently and take down the panel.

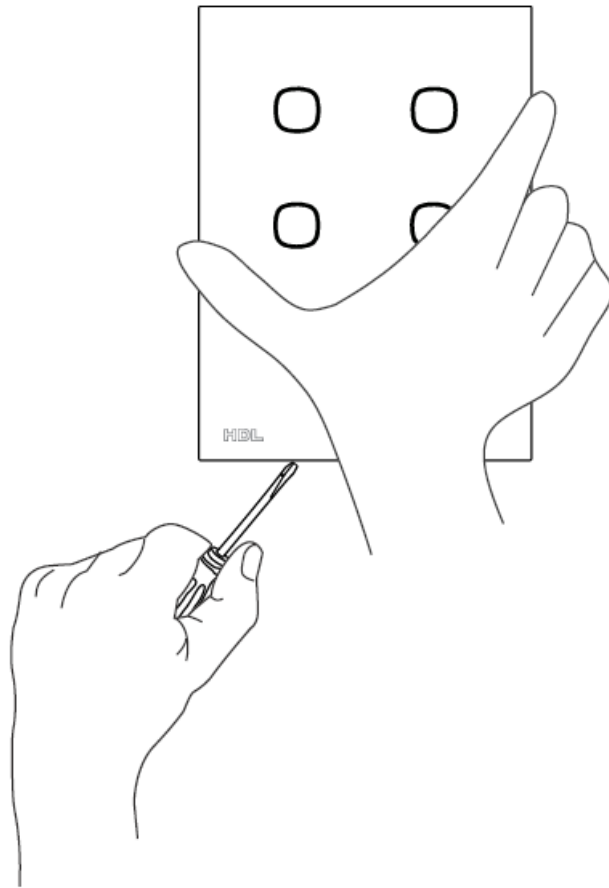


Figure 4

◆◆ Packing List

- Panel*1

Note: After unpacking, please check if the product and the parts are complete.

◆◆ Copyright Statement

HDL has all the intellectual property rights to this document and contents thereof. Reproduction or distribution for third parties are prohibited without written authorization from HDL. Any infringement of HDL's intellectual property rights will be investigated the legal liability.

The contents of this document will be updated as the updates of product versions or other reasons. Unless otherwise agreed upon, this document is to be used as a guidance only. All the statements, information and recommendations in this document makes no warranty expressed or implied.

© 2026 HDL Automation Co., Ltd. All rights reserved.

Update History:

The form below contains the information of every update. The latest version contains all the updates of all former versions.

Version	Update Information	Date
V1.0	Initial release	March 18, 2026

◆◆ Technical Support

E-mail: hdltickets@hdlautomation.com

Website: <https://www.hdlautomation.com>