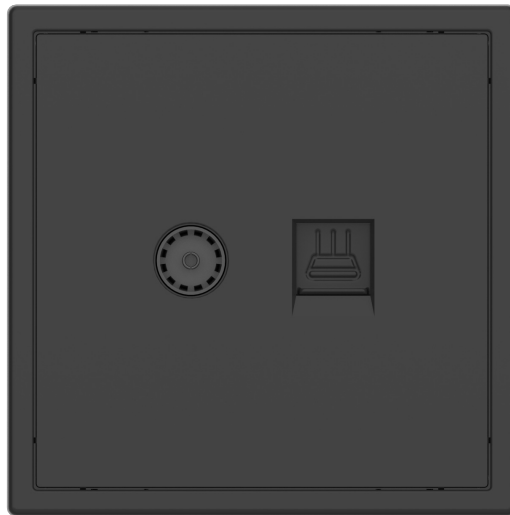


Tile 2.1 Non-Smart

Datasheet



MPST-***-NP.1*



Please scan the QR code above to check the latest version of datasheet!

Before using this product, please read this datasheet carefully and keep it properly!

Document Version: C

◆◆ Overview

To provide users with better smart home solutions, Tile Series 2.1 comes with various non-smart products for solution design.

The product list is as follows:

No.	Product name	Model No.
1	Tile Series Card Holder Panel 2.1	MPCT-H-NP.18
2	Tile Series Emergency Panel 2.1	MPUT-1EC-NP.18
3	Tile Series Blank Panel 2.1	MPKT-B-NP.18
4	Tile Series 1 Button Rocker Switch 2.1	MPMT-1R-NP.18
5	Tile Series 2 Buttons Rocker Switch 2.1	MPMT-2R-NP.18
6	Tile Series 3 Buttons Rocker Switch 2.1	MPMT-3R-NP.18
7	Tile Series 1 Button Momentary Switch 2.1	MPMT-1M-NP.18
8	Tile Series 2 Buttons Momentary Switch 2.1	MPMT-2M-NP.18
9	Tile Series 3 Buttons Momentary Switch 2.1	MPMT-3M-NP.18
10	Tile Series Induction Floor Light Panel 2.1	MPLT-FLS-NP.18
11	Tile Series 2 Port Ethernet Wall Outlet 2.1	MPET-2E-NP.18
12	Tile Series TV and Ethernet Outlet 2.1	MPVT-CE-NP.18
13	Tile Series Universal Socket 2.1	MPST-U16-NP.18
14	Tile Series HDMI and USB Outlet 2.1	MPST-HU-NP.18
15	Tile Series 1 Port Telephone Wall Jack 2.1	MPPT-1T-NP.18
16	Tile Series 1 Port Ethernet Wall Outlet 2.1	MPET-1E-NP.18
17	Tile Series 1 Port Coax Cable TV-F-Type Wall Outlet 2.1	MPVT-1F-NP.18
18	Tile Series 1 Port Cable TV Wall Outlet 2.1	MPVT-1C-NP.18
19	Tile Series EU Socket 2.1	MPST-G16-NP.18
20	Tile Series Waterproof EU Power Socket 2.1	MPST-G16P-NP.18
21	Tile Series USB and Type-C Outlet 2.1	MPST-UT-NP.18
22	Tile Series Shaver Socket 2.1	MPST-SH-NP.18
23	Tile Series Italy Socket 2.1	MPST-I16-NP.18
24	Tile Series Svizzera Socket 2.1	MPST-S10-NP.18
25	Tile Series UK Switch Socket 2.1	MPST-UK13-NP.15

Key functions:

1. Signal Panel:

- Tile Series 1 Port Cable TV Wall Outlet provides a coaxial cable signal interface for transmitting signals to TV equipment;
- Tile Series 1 Port Telephone Wall Jack 2.1 provides Cat3 telephone signal interface for transmitting signals to telephone

devices;

- Tile Series 1 Port Ethernet Wall Outlet 2.1 provides Cat6 network signal interfaces for transmitting signals to network devices;
- TV, telephone and Ethernet panels are paired together on a panel, providing corresponding signal interfaces for the combined devices to transmit signals.

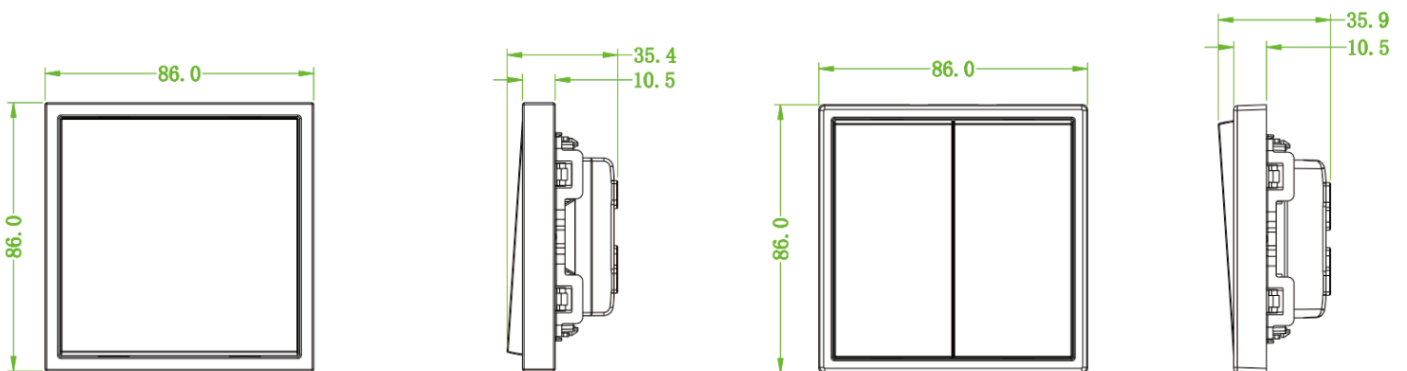
2. Socket Panel:

- Products including Tile Series Universal Socket 2.1, Tile Series HDMI and USB Outlet 2.1 and Tile Series 1 Port Ethernet Wall Outlet 2.1, etc., provide power for related electrical equipment.

3. Others:

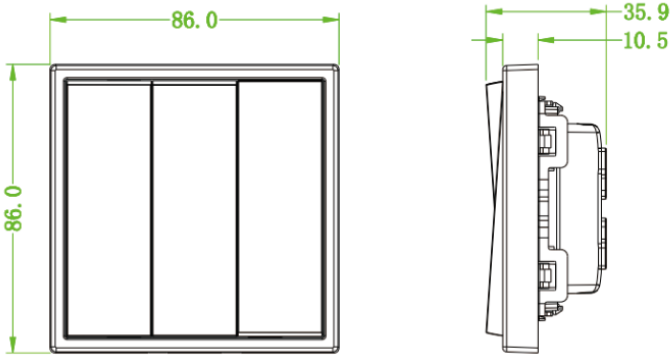
- Button Rocker Switch and Button Momentary Switch can be used to enable on/off control of related electrical equipment;
- Tile Series Induction Floor Light Panel 2.1 achieving night light function;
- Tile Series Emergency Panel 2.1 is used to warn of danger or seek help, which can be released by resetting the key and button can be reset.
- Tile Series Blank Panel 2.1, used to fill the unnecessary extra 86mm holes.
- Tile Series HDMI and USB Outlet 2.1 is used for HDMI and USB signal transmission, generally applied in TV screen casting, USB file playback and other scenes.

◆◆ Appearance

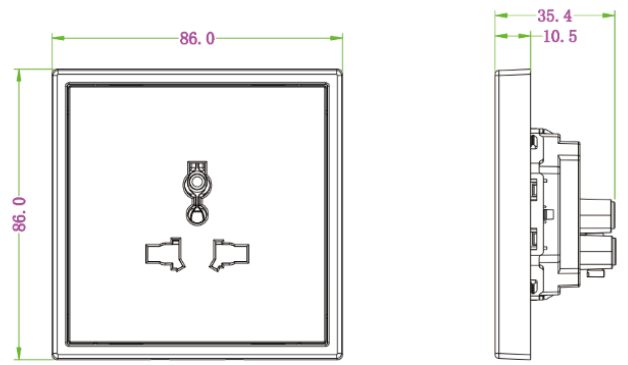


Tile Series 1 Button Momentary Switch 2.1

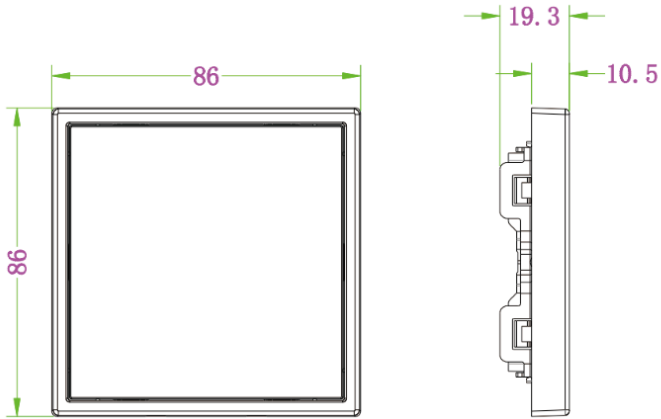
Tile Series 2 Buttons Momentary Switch 2.1



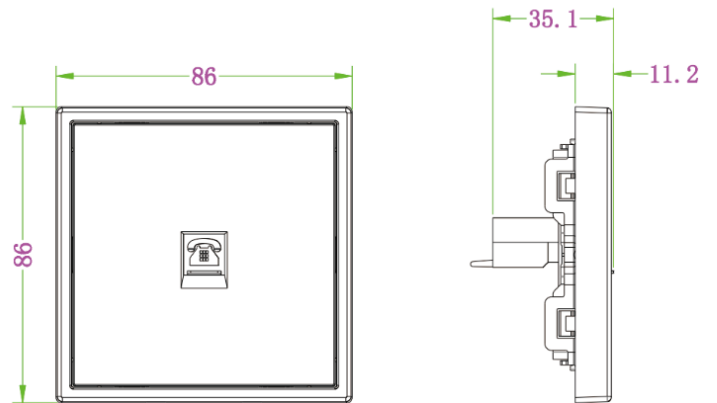
Tile Series 3 Buttons Momentary Switch 2.1



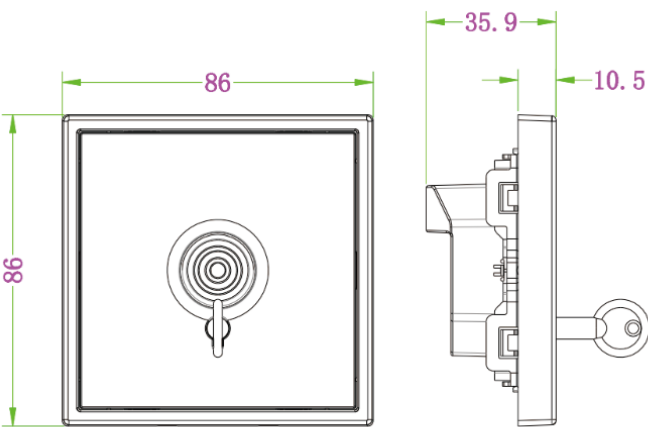
Tile Series Universal Socket 2.1



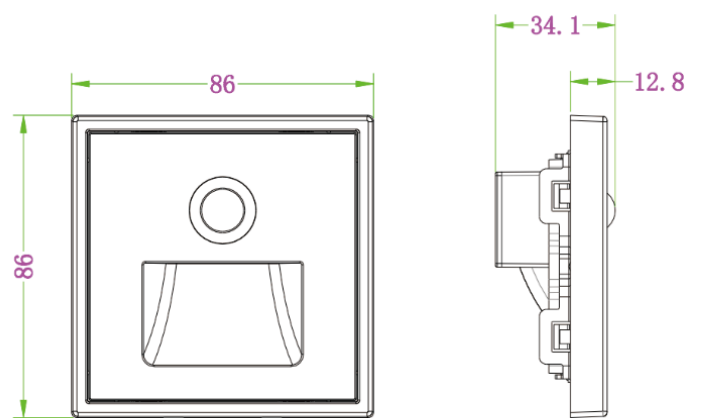
Tile Series Blank Panel 2.1



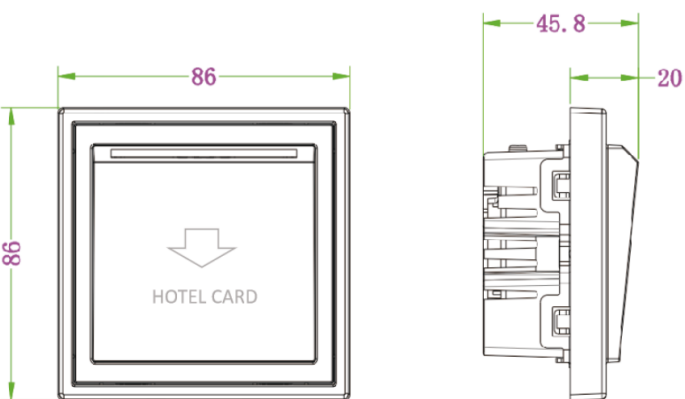
Tile Series 1 Port Telephone Wall Jack 2.1



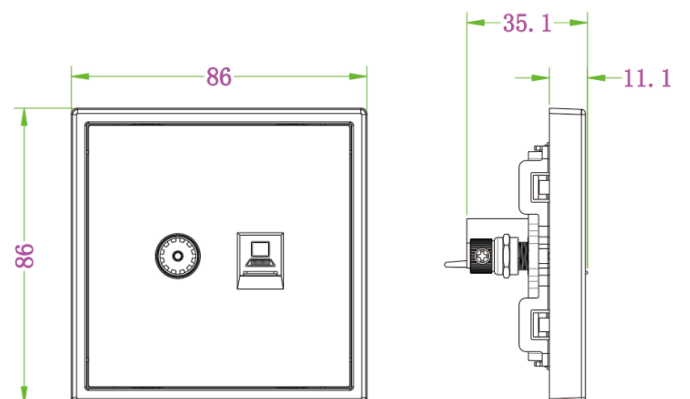
Tile Series Emergency Panel 2.1



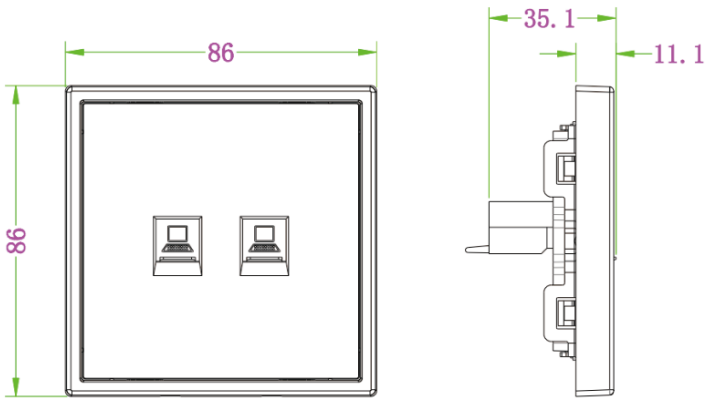
Tile Series Induction Floor Light Panel 2.1



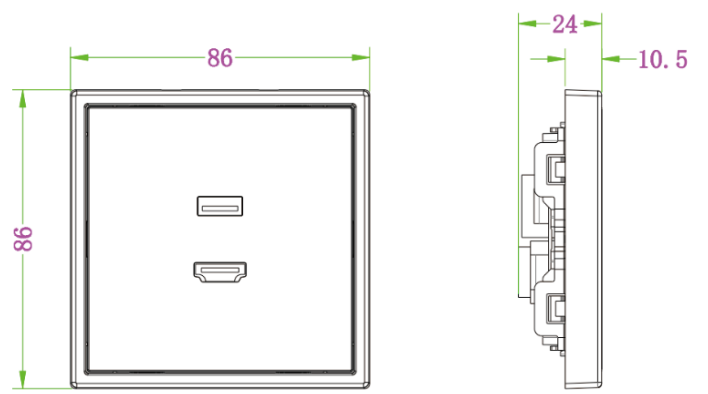
Tile Series Card Holder Panel 2.1



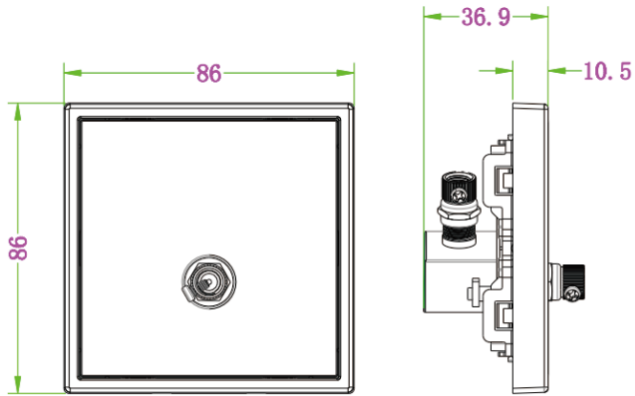
Tile Series TV and Ethernet Outlet 2.1



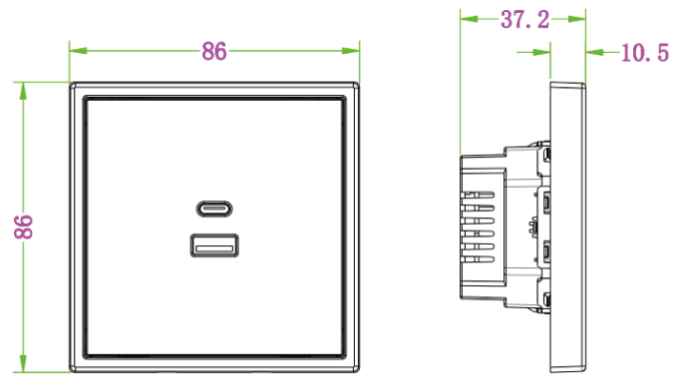
Tile Series 2 Port Ethernet Wall Outlet 2.1



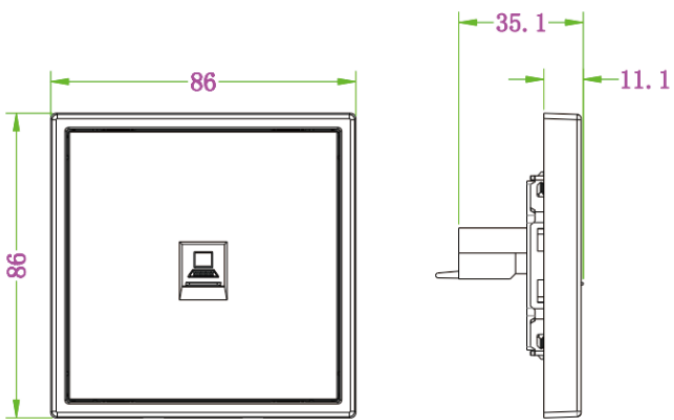
Tile Series HDMI and USB Outlet 2.1



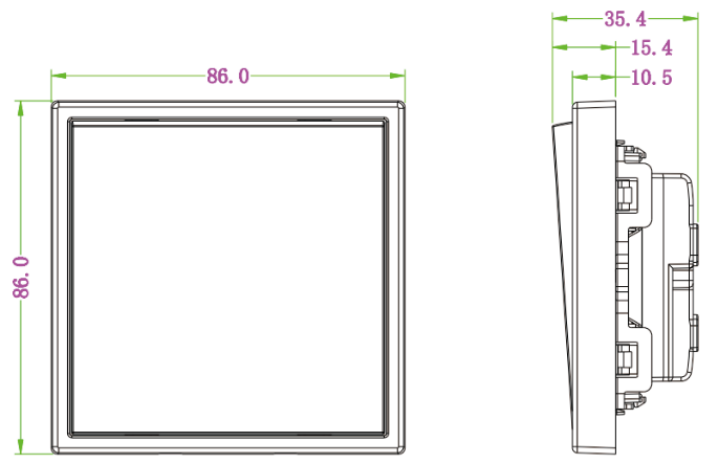
Tile Series 1 Port Coax Cable TV-F-Type Wall Outlet 2.1



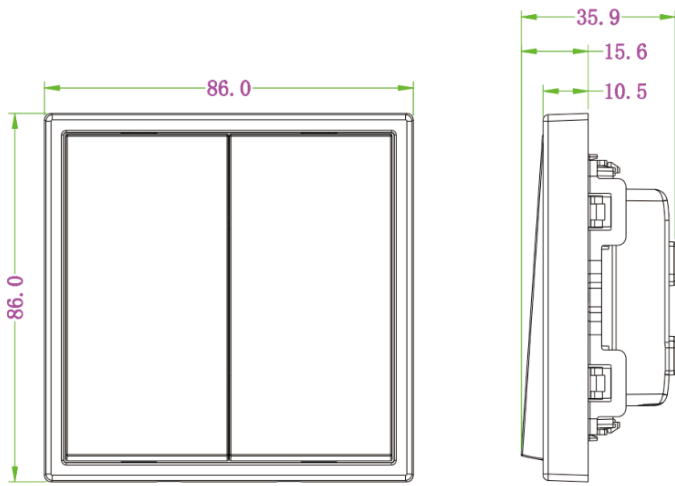
Tile Series USB and Type-C Outlet 2.1



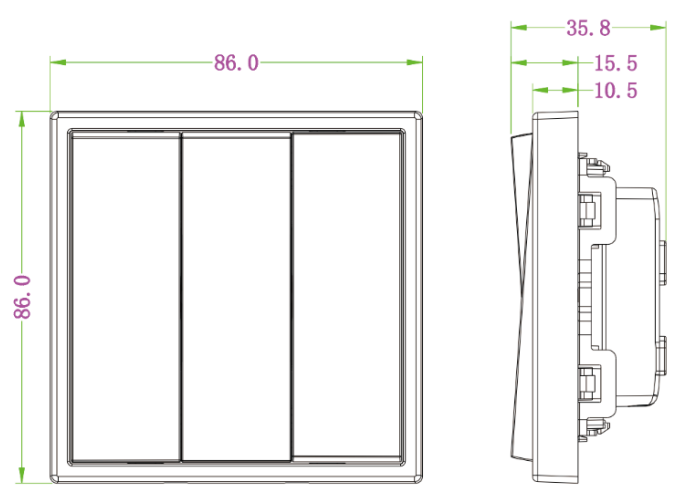
Tile Series 1 Port Ethernet Wall Outlet 2.1



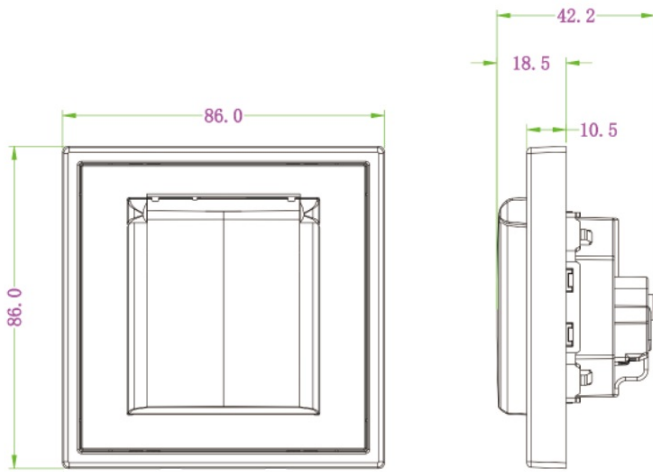
Tile Series 1 Button Rocker Switch 2.1



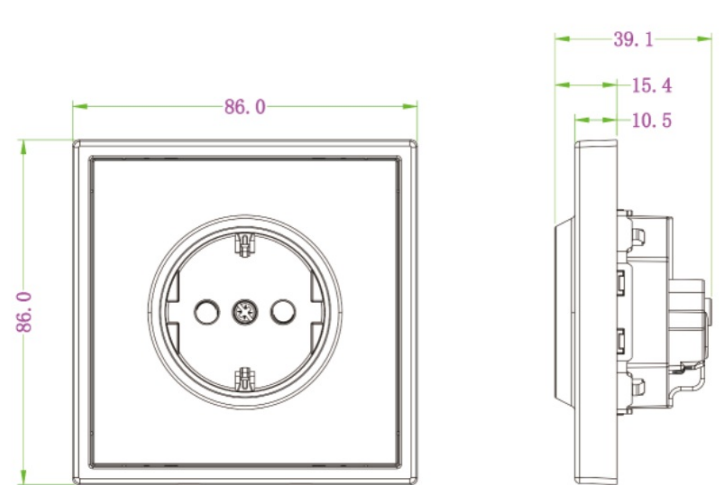
Tile Series 2 Buttons Rocker Switch 2.1



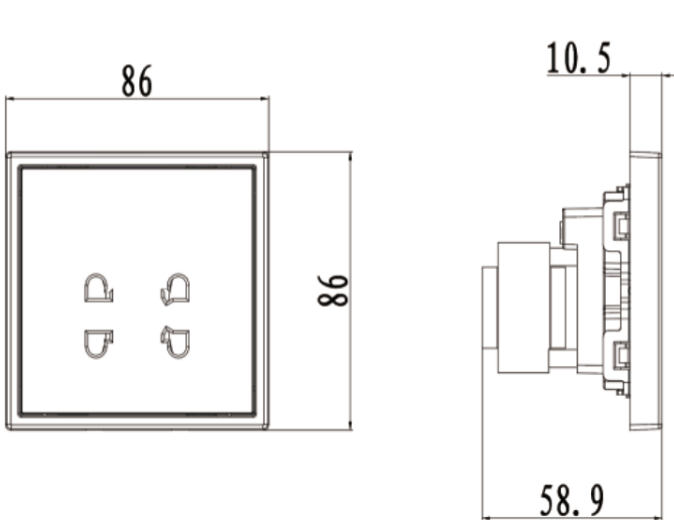
Tile Series 3 Buttons Rocker Switch 2.1



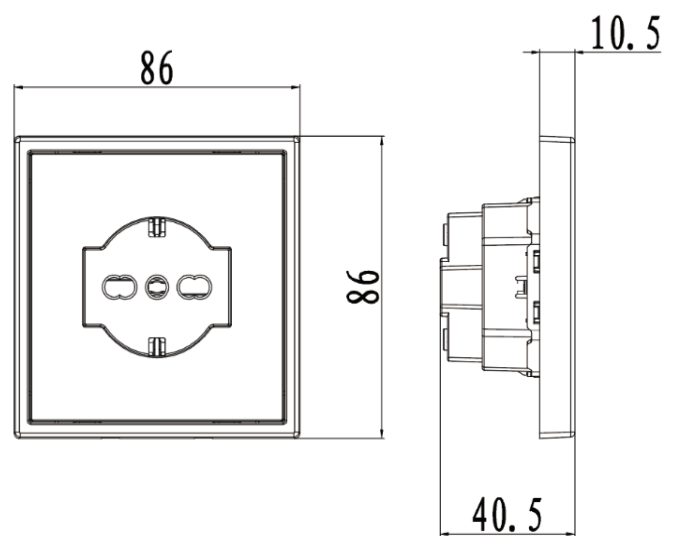
Tile Series Waterproof EU Power Socket 2.1



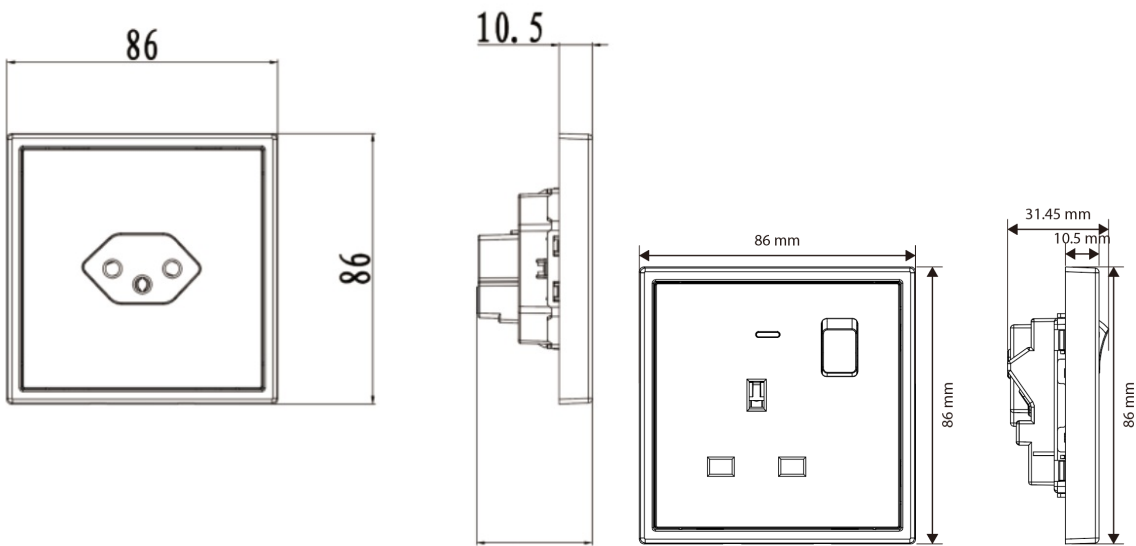
Tile Series EU Socket 2.1



Tile Series Shaver Socket 2.1



Tile Series Italy Socket 2.1



Tile Series Svizzera Socket 2.1

Tile Series UK Switch Socket 2.1

◆◆ Technical Data

1. Signal Panel

1.1 TV Panel

Item	Parameter
Product type	Coaxial cable F-head(Tile Series 1 Port Coax Cable TV-F-Type Wall Outlet 2.1), RF interface (Tile Series 1 Port Cable TV Wall Outlet 2.1)
Working temperature	-5°C~45°C
Working relative humidity	≤90%RH, non-condensed
Storage temperature	-20°C~60°C
Storage relative humidity	≤93%RH

1.2 Telephone Panel

Item	Parameter
Communication	Unshielded Cat3 cable
Working temperature	-5°C~45°C
Working relative humidity	≤90%RH, non-condensed
Storage temperature	-20°C~60°C
Storage relative humidity	≤93%RH

1.3 Ethernet Outlet

Item	Parameter
------	-----------

Communication	Unshielded Cat6 cable
Communication interface	RJ45 port
Working temperature	-5°C~45°C
Working relative humidity	≤90%RH, non-condensed
Storage temperature	-20°C~60°C
Storage relative humidity	≤93%RH

1.4 Tile Series TV and Ethernet Outlet 2.1

Item	Parameter
Communication	Ethernet: unshielded Cat6 cable; TV: RF interface(Tile Series 1 Port Cable TV Wall Outlet 2.1)
Communication interface	RJ45 port, RF interface
Working temperature	-5°C~45°C
Working relative humidity	≤90%RH, non-condensed
Storage temperature	-20°C~60°C
Storage relative humidity	≤93%RH

1.5 Tile Series HDMI and USB Outlet 2.1

Item	Parameter
Communication	HDMI signal transmission, USB 2.0 signal transmission (cannot be used as a charging port)
Working temperature	-5°C~45°C
Working relative humidity	≤90%RH, non-condensed
Storage temperature	-20°C~60°C
Storage relative humidity	≤93%RH

2. Socket

2.1 Tile Series EU Socket 2.1

Item	Parameter
Rated voltage	250V ~, 50/60Hz
Rated current	16A
Working temperature	-5°C~45°C
Working relative humidity	≤90%RH, non-condensed

Storage temperature	-20°C~60°C
Storage relative humidity	≤93%RH

2.2 Tile Series Waterproof EU Power Socket 2.1

Item	Parameter
Rated voltage	250V ~, 50/60Hz
Rated current	16A
Waterproof grade	IP44
Working temperature	-5°C~45°C
Working relative humidity	≤90%RH, non-condensed
Storage temperature	-20°C~60°C
Storage relative humidity	≤93%RH

2.3 Tile Series Universal Socket 2.1

Item	Parameter
Rated voltage	250V ~, 50/60Hz
Rated current	16A
Working temperature	-5°C~45°C
Working relative humidity	≤90%RH, non-condensed
Storage temperature	-20°C~60°C
Storage relative humidity	≤93%RH

2.4 Tile Series USB and Type-C Outlet 2.1

Item	Parameter
Rated voltage	250V ~, 50/60Hz
Rated current	10A
Output power	Maximum output power: 20W MAX; USB-A output: 5V DC/3A, 9V DC/2A, 12V DC/1.5A; Type-C output: 5V DC/3A, 9V DC/2.22A, 12V DC/1.67A; USB-A+Type-C dual port total output: 5V DC/3A
Working temperature	-5°C~45°C
Working relative humidity	≤90%RH, non-condensed
Storage temperature	-20°C~60°C
Storage relative humidity	≤93%RH

2.5 Tile Series Italy Socket 2.1

Item	Parameter
Rated voltage	250V ~, 50/60Hz
Rated current	16A
Working temperature	-5°C~45°C
Working relative humidity	≤90%RH, non-condensed
Storage temperature	-20°C~60°C
Storage relative humidity	≤93%RH

2.6 Tile Series Svizzera Socket 2.1

Item	Parameter
Rated voltage	250V ~, 50/60Hz
Rated current	10A
Working temperature	-5°C~45°C
Working relative humidity	≤90%RH, non-condensed
Storage temperature	-20°C~60°C
Storage relative humidity	≤93%RH

2.7 Tile Series Shaver Socket 2.1

Item	Parameter
Input voltage	220-240~50Hz
Output voltage	115V~60Hz; 230V~50Hz
Rated power	6W/110V~ 20W/220V~
Working temperature	-5°C~45°C
Working relative humidity	≤90%RH, non-condensed
Storage temperature	-20°C~60°C
Storage relative humidity	≤93%RH

2.8 Tile Series UK Switch Socket 2.1

Item	Parameter
Rated voltage	250V~ 50/60Hz
Rated current	13A
Working temperature	-5°C~45°C

Working relative humidity	≤95%RH, non-condensed
Storage temperature	-20°C~60°C
Storage relative humidity	≤95%RH, non-condensed

3. Others

3.1 Tile Series Emergency Panel 2.1

Item	Parameter
Communication	Passive dry contact
Working temperature	-5°C~45°C
Working relative humidity	≤90%RH, non-condensed
Storage temperature	-20°C~60°C
Storage relative humidity	≤93%RH

3.2 Switch Panel(Rocker Switch and Momentary Switch)

Item	Parameter
Rated voltage	250V ~, 50/60Hz
Rated current	10A/CH
Working temperature	-5°C~45°C
Working relative humidity	≤90%RH, non-condensed
Storage temperature	-20°C~60°C
Storage relative humidity	≤93%RH

3.3 Tile Series Induction Floor Light Panel 2.1

Item	Parameter
Rated voltage	220V ~, 50/60Hz
Rated current	10A
Color temperature	3000K
Induction distance	8m straight ahead
Induction delay time	30±5s
Working temperature	-5°C~45°C
Working relative humidity	≤90%RH, non-condensed
Storage temperature	-20°C~60°C
Storage relative humidity	≤93%RH

3.4 Tile Series Card Holder Panel 2.1

Item	Parameter
Rated voltage	24V DC
Standby power consumption	≤1.5W
Communication	Passive dry contact
Power outage delay time	4s
Card recognition	High frequency, card reading frequency: 13.46-13.66MHz
Card transmit Power	≥-10dB
Working temperature	-5°C~45°C
Working relative humidity	≤90%RH, non-condensed
Storage temperature	-20°C~60°C
Storage relative humidity	≤93%RH

◆◆ Specifications

1. Signal Panel

1.1 TV Panel

Item	Parameter
Dimensions (W X H X D)	Tile Series 1 Port Coax Cable TV-F-Type Wall Outlet 2.1: 86x86x36.9mm(Frame included); Tile Series 1 Port Cable TV Wall Outlet 2.1: 86x86x33.4mm(Frame included)
Net weight	Tile Series 1 Port Coax Cable TV-F-Type Wall Outlet 2.1: 105g; Tile Series 1 Port Cable TV Wall Outlet 2.1: 87.4g
Housing material	PC
Installation	86-type wall box, European standard wall box
IP degree (compliant with EN 60529)	IP20

1.2 Telephone Panel

Item	Parameter
Dimensions (W X H X D)	86x86x35.1mm(Frame included)
Net weight	86.4g
Housing material	PC
Installation	86-type wall box, European standard wall box

IP degree (compliant with EN 60529)	IP20
-------------------------------------	------

1.3 Tile Series 1 Port Ethernet Wall Outlet 2.1

Item	Parameter
Dimensions (W X H X D)	86x86x35.1mm(Frame included)
Net weight	85.4g
Housing material	PC
Installation	86-type wall box, European standard wall box
IP degree (compliant with EN 60529)	IP20

1.4 Tile Series 2 Port Ethernet Wall Outlet 2.1/Tile Series TV and Ethernet Outlet 2.1

Item	Parameter
Dimensions (W X H X D)	86x86x35.1mm(Frame included)
Net weight	Tile Series 2 Port Ethernet Wall Outlet 2.1: 77.8g Tile Series TV and Ethernet Outlet 2.1: 80g
Housing material	PC
Installation	86-type wall box
IP degree (compliant with EN 60529)	IP20

1.5 Tile Series HDMI and USB Outlet 2.1

Item	Parameter
Dimensions (W X H X D)	86x86x24mm(Frame included)
Net weight	90g
Housing material	PC
Installation	86-type wall box, European standard wall box
IP degree (compliant with EN 60529)	IP20

2. Socket

2.1 Tile Series EU Socket 2.1

Item	Parameter
Dimensions (W X H X D)	86x86x39.1mm(Frame included)
Net weight	89.5g
Housing material	PC

Installation	86-type wall box, European standard wall box
IP degree (compliant with EN 60529)	IP20

2.2 Tile Series Waterproof EU Power Socket 2.1

Item	Parameter
Dimensions (W X H X D)	86x86x40.5mm(Frame included)
Net weight	105g
Housing material	PC
Installation	86-type wall box, European standard wall box
IP degree (compliant with EN 60529)	IP44

2.3 Tile Series Universal Socket 2.1

Item	Parameter
Dimensions (W X H X D)	86x86x35.4mm(Frame included)
Net weight	104g
Housing material	PC
Installation	86-type wall box, European standard wall box
IP degree (compliant with EN 60529)	IP20

2.4 Tile Series USB and Type-C Outlet 2.1

Item	Parameter
Dimensions (W X H X D)	86x86x37.2mm(Frame included)
Net weight	106g
Housing material	PC
Installation	86-type wall box, European standard wall box
IP degree (compliant with EN 60529)	IP20

2.5 Tile Series Italy Socket 2.1

Item	Parameter
------	-----------

Dimensions (W X H X D)	86x86x40.5mm(Frame included)
Net weight	100.5g
Housing material	PC
Installation	86-type wall box, European standard wall box
IP degree (compliant with EN 60529)	IP20

2.6 Tile Series Svizzera Socket 2.1

Item	Parameter
Dimensions (W X H X D)	86x86x36.7mm(Frame included)
Net weight	87.1g
Housing material	PC
Installation	86-type wall box, European standard wall box
IP degree (compliant with EN 60529)	IP20

2.7 Tile Series Shaver Socket 2.1

Item	Parameter
Dimensions (W X H X D)	86x86x58.9mm(Frame included)
Net weight	290g
Housing material	PC
Installation	86-type wall box
IP degree (compliant with EN 60529)	IP20

2.8 Tile Series UK Switch Socket 2.1

Item	Parameter
Dimensions (W X H X D)	86x86x47mm
Net weight	113.5g
Housing material	PC
Installation	86-type wall box, British standard wall box
IP degree (compliant with EN 60529)	IP20

3. Others

3.1 Tile Series Emergency Panel 2.1

Item	Parameter
Dimensions (W X H X D)	86x86x48.3mm(Frame included)
Net weight	93.7g
Housing material	PC
Installation	86-type wall box, European standard wall box
IP degree (compliant with EN 60529)	IP20

3.2 Switch Panel(Momentary Switch)

Item	Parameter
Dimensions (W X H X D)	1 Button: 86x86x35.4mm(Frame included) 2 Buttons: 86x86x35.9mm(Frame included) 3 Buttons: 86x86x35.9mm(Frame included)
Net weight	1 Button: 80.7g 2 Buttons: 90g 3 Buttons: 100g
Housing material	PC
Installation	86-type wall box
IP degree (compliant with EN 60529)	IP20

3.3 Switch Panel(Rocker Switch)

Item	Parameter
Dimensions (W X H X D)	1 Button: 86x86x35.4mm(Frame included) 2 Buttons: 86x86x35.9mm(Frame included) 3 Buttons: 86x86x35.9mm(Frame included)
Net weight	1 Button: 83g 2 Buttons: 95.2g 3 Buttons: 107g
Housing material	PC
Installation	86-type wall box
IP degree (compliant with EN 60529)	IP20

3.4 Tile Series Induction Floor Light Panel 2.1

Item	Parameter
Dimensions (W X H X D)	86x86x34.1mm(Frame included)

Net weight	80.7g
Housing material	PC
Installation	86-type wall box
IP degree (compliant with EN 60529)	IP20

3.5 Tile Series Card Holder Panel 2.1

Item	Parameter
Dimensions (W X H X D)	86x86x45.8mm(Frame included)
Net weight	117.8g
Housing material	PC
Installation	86-type wall box
IP degree (compliant with EN 60529)	IP20

3.6 Tile Series Blank Panel 2.1

Item	Parameter
Dimensions (W X H X D)	86x86x19.3mm(Frame included)
Net weight	68.4g
Housing material	PC
Installation	86-type wall box, European standard wall box
IP degree (compliant with EN 60529)	IP20

◆◆ Safety Precaution

Danger:

Please do not privately disassemble or replace any parts of the product. Otherwise, it may cause mechanical fault, electric shock, fire or personal injuries.

Warning:

- The installation and testing for the product must be carried out by HDL Automation Co., Ltd. (hereinafter referred to as HDL) or its appointed service agencies. The electric construction shall comply with local laws and safety regulations.
- HDL will not be responsible for any consequence caused by the inexpert or faulty installation and wiring methods, which

are not in accordance with the instructions contained in this datasheet.

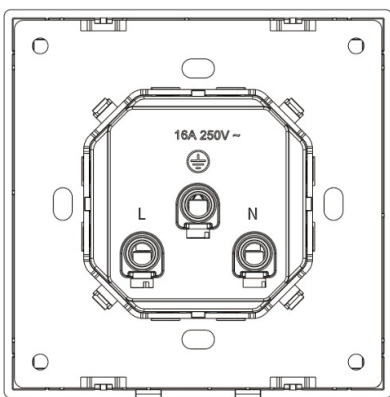
- Please contact HDL after-sales departments or our designated service agencies for your maintenance service. Product failures caused by private disassembly are not subject to the warranty.
- For permanently connected equipment, a double-pole switch that meets standard requirements should be installed in the electrical facilities of the building.

Caution:

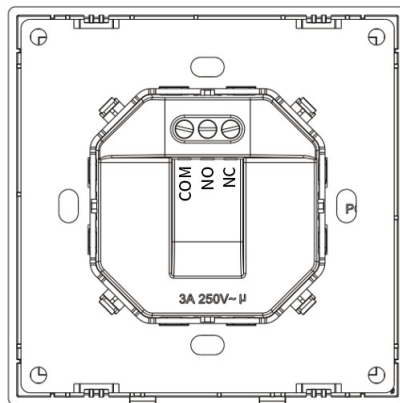
- Before performing any installation or disassembly procedures on the device, it is crucial to disconnect the device from all voltage sources. This step is necessary to ensure the safety of the technician and prevent any potential damage to the device.
- This device must be installed with a wall box.
- To protect the device and load, it is recommended to connect one 10A circuit breaker to each channel.
- Do not use corrosive liquid to wipe the device body, especially the interface, so to avoid damage to the device. Do not wipe the device with a damp cloth.
- Before performing any maintenance or cleaning procedures on the device, it is imperative to disconnect the device from all voltage sources. This precautionary measure is necessary in order to prevent electric leakage and the risk of electric shock.

◆◆ Wiring

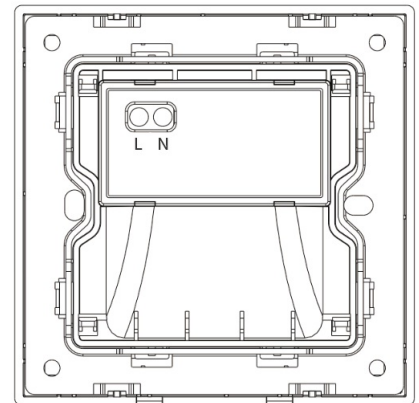
Wire according to marking on the power interface:



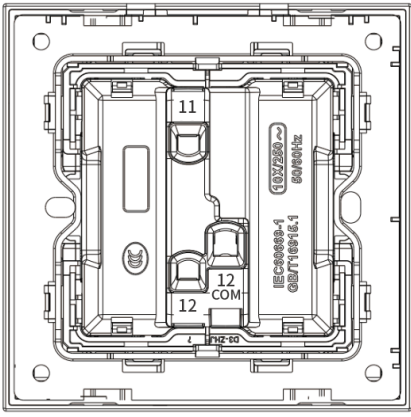
Tile Series Universal Socket 2.1



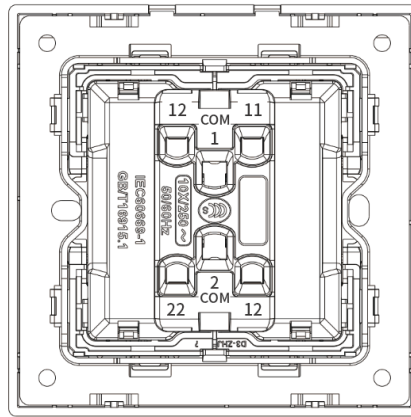
Tile Series Emergency Panel 2.1



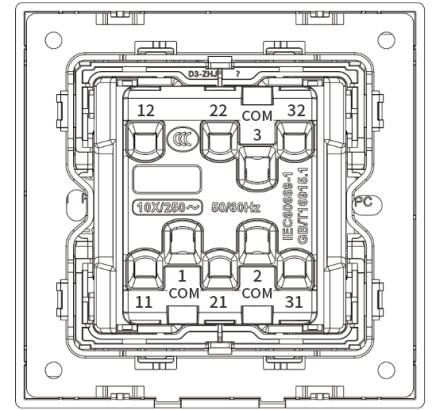
Tile Series Induction Floor Light Panel 2.1



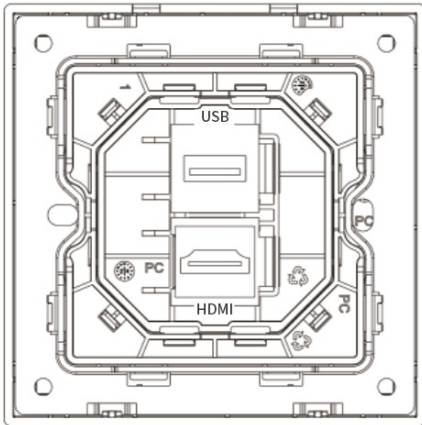
Tile Series 1 Button Rocker Switch 2.1



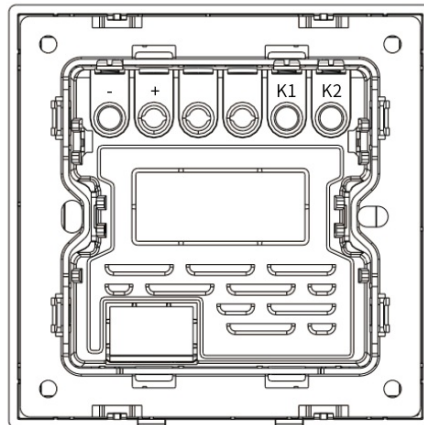
Tile Series 2 Buttons Rocker Switch 2.1



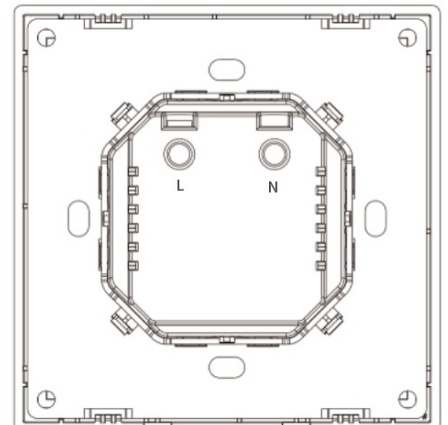
Tile Series 3 Buttons Rocker Switch 2.1



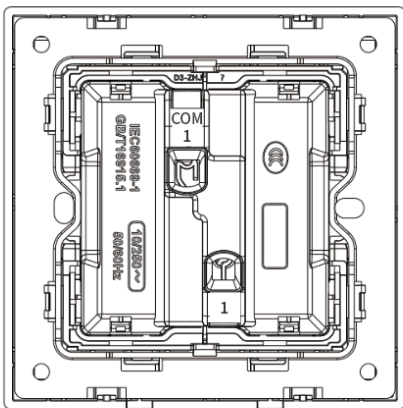
Tile Series HDMI and USB Outlet 2.1



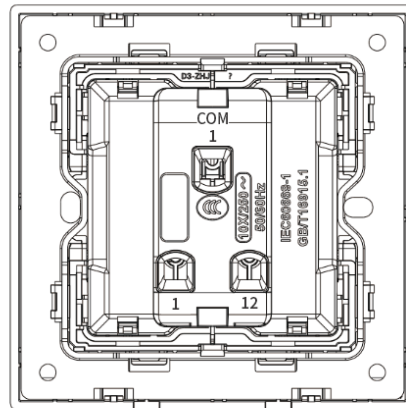
Tile Series Card Holder Panel 2.1



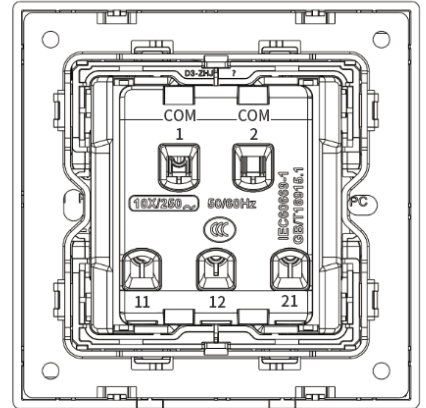
Tile Series USB and Type-C Outlet 2.1



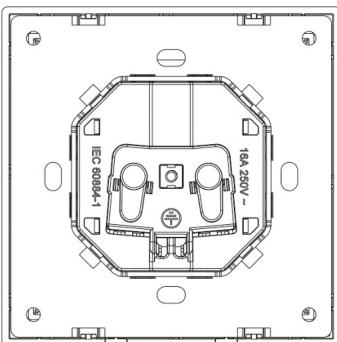
Tile Series 1 Button Momentary Switch 2.1



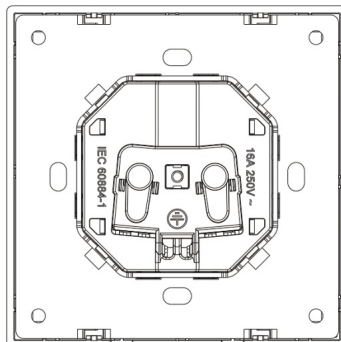
Tile Series 2 Buttons Momentary Switch 2.1



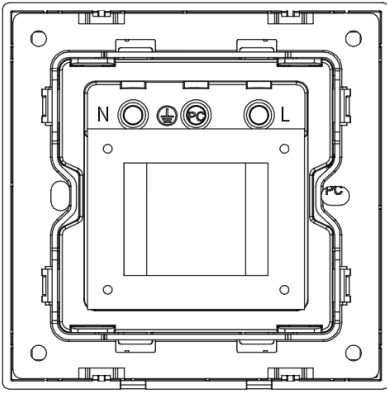
Tile Series 3 Buttons Momentary Switch 2.1



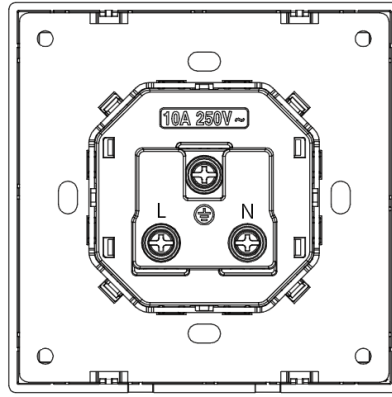
Tile Series Waterproof EU Power Socket 2.1



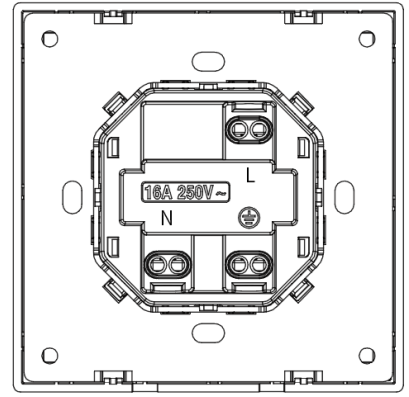
Tile Series EU Socket 2.1



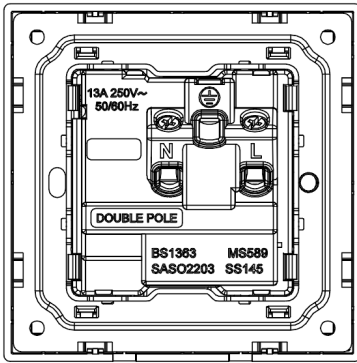
Tile Series Shaver Socket 2.1



Tile Series Svizzera Socket 2.1



Tile Series Italy Socket 2.1



Tile Series UK Switch Socket 2.1

◆◆ Installation

- **Warning:** Before installation, please cut off the power supply, it is strictly prohibited to operate with electricity.
- **Note:** Before installation, if the bracket has not been separated from the panel assembly, please refer to the disassembly instructions.
- **Caution:** Disconnect the power supply before installation and do not operate with electricity.

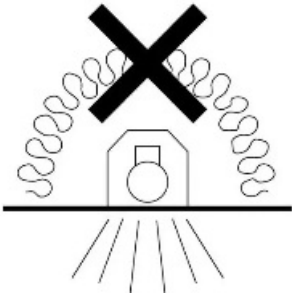
Step 1. Install the wall box on the wall and lead out cable. Connect the cables, and pay attention to safe and reliable wiring.

Note:

- The base depth of Tile Series HDMI and USB Outlet 2.1 should be 70mm, and the base depth of other non-smart products should be 50mm.
- Please refer to the Specifications for the installation type of the base box.

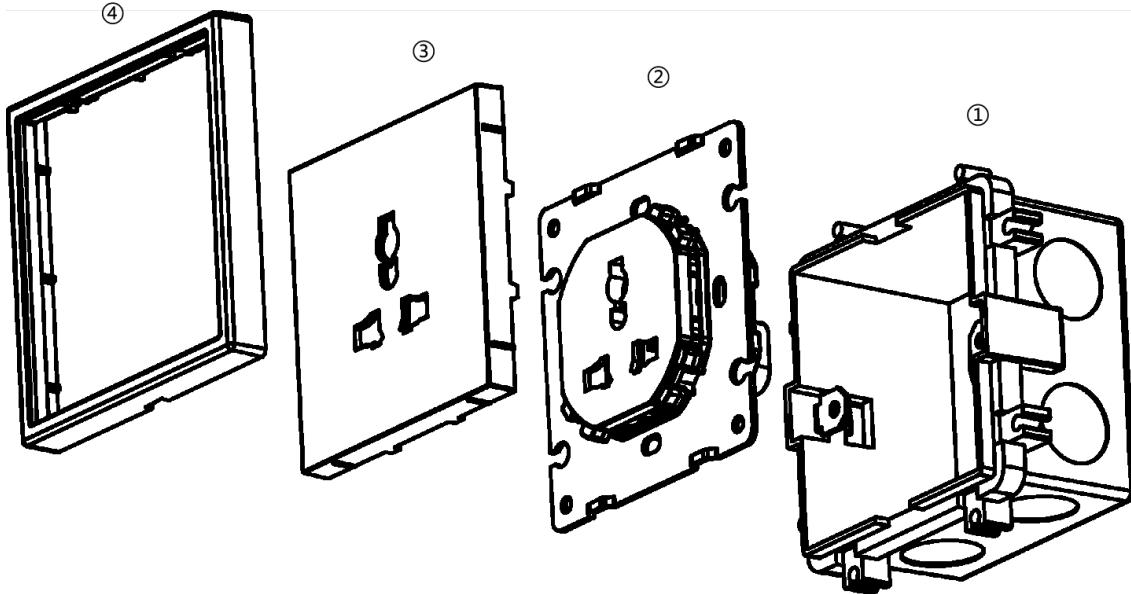
Step 2. Align the screws on both sides of the panel bottom module with the holes on the wall box, then install and secure the screws together.

Note: Induction Floor Light Panel should be installed with an 86-type wall box complying with the standard GB/T 17466.1. The following marking on the panel indicates that the light should not be covered with insulation materials.



Step 3. Fix the panel cover part onto the base module.

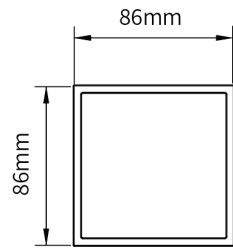
Step 4: Align the frame horizontally and snap it onto the base module of the panel, then complete the assembly.



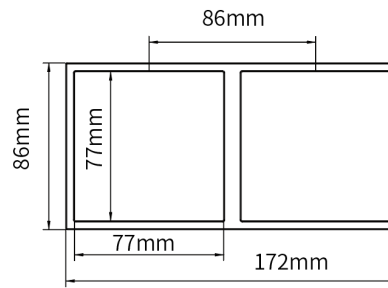
Multi-gang installation:

- Supports horizontal and vertical installation;
- Horizontal installation supports up to 4 rows;
- Vertical installation supports up to 4 columns.

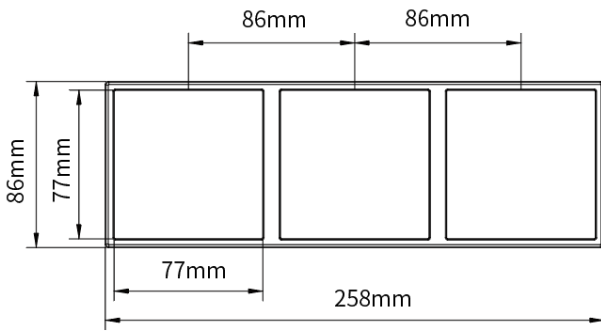
Frame type	Installation direction	Gang number	Size
PC	Horizontal/Vertical	1	86*86*10.5(mm)
		2	172*86*10.5(mm)
		3	258*86*10.5(mm)
		4	344*86*10.5(mm)
Metal	Horizontal/Vertical	1	86*86*10.5(mm)
		2	172*86*10.5(mm)
		3	258*86*10.5(mm)
		4	344*86*10.5(mm)



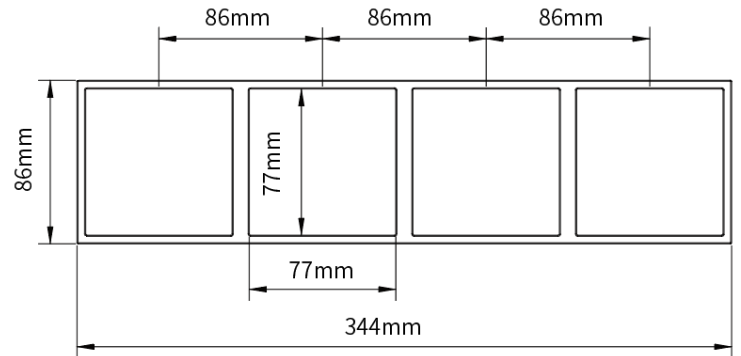
Single-gang frame



Two-gang frame



Three-gang frame



Four-gang frame

◆◆ Disassembly

Warning: Before performing any disassembly procedures on the device, it is crucial to disconnect the device from all voltage sources. This step is necessary to ensure the safety of the technician and prevent any potential damage to the device.

Step 1. It is recommended to use a screwdriver to pry the panel open from the bottom.

Step 2. To remove the panel and power base, please refer to the section Installation and do it reversely.

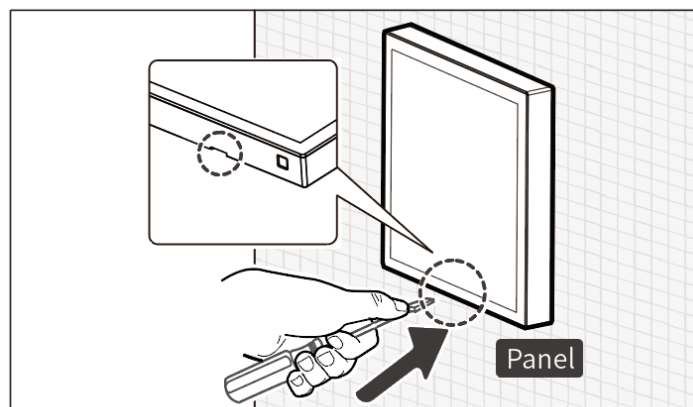


Figure 8

◆◆ Packing List

No.	Product name	Model No.	Packing list
1	Tile Series Card Holder Panel 2.1	MPCT-H-NP.17 MPCT-H-NP.18	Panel*1 / Instruction manual card*1 / M4*40mm long screw*2 / M4*25mm short screw*2
2	Tile Series Emergency Panel 2.1	MPUT-1EC-NP.17 MPUT-1EC-NP.18	Panel*1 / Instruction manual card*1 / M4*40mm long screw*2 / M4*25mm short screw*2/Key*1
3	Tile Series Blank Panel 2.1	MPKT-B-NP.17 MPKT-B-NP.18	Panel*1 / Instruction manual card*1 / M4*40mm long screw*2 / M4*25mm short screw*2
4	Tile Series 1 Button Rocker Switch 2.1	MPMT-1R-NP.17 MPMT-1R-NP.18	Panel*1 / Instruction manual card*1 / M4*40mm long screw*2 / M4*25mm short screw*2
5	Tile Series 2 Buttons Rocker Switch 2.1	MPMT-2R-NP.17 MPMT-2R-NP.18	Panel*1 / Instruction manual card*1 / M4*40mm long screw*2 / M4*25mm short screw*2
6	Tile Series 3 Buttons Rocker Switch 2.1	MPMT-3R-NP.17 MPMT-3R-NP.18	Panel*1 / Instruction manual card*1 / M4*40mm long screw*2 / M4*25mm short screw*2
7	Tile Series 1 Button Momentary Switch 2.1	MPMT-1M-NP.17 MPMT-1M-NP.18	Panel*1 / Instruction manual card*1 / M4*40mm long screw*2 / M4*25mm short screw*2
8	Tile Series 2 Buttons Momentary Switch 2.1	MPMT-2M-NP.17 MPMT-2M-NP.18	Panel*1 / Instruction manual card*1 / M4*40mm long screw*2 / M4*25mm short screw*2
9	Tile Series 3 Buttons Momentary Switch 2.1	MPMT-3M-NP.17 MPMT-3M-NP.18	Panel*1 / Instruction manual card*1 / M4*40mm long screw*2 / M4*25mm short screw*2
10	Tile Series Induction Floor Light Panel 2.1	MPLT-FLS-NP.17 MPLT-FLS-NP.18	Panel*1 / Instruction manual card*1 / M4*40mm long screw*2 / M4*25mm short screw*2
11	Tile Series 2 Port Ethernet Wall Outlet 2.1	MPET-2E-NP.17 MPET-2E-NP.18	Panel*1 / Instruction manual card*1 / M4*40mm long screw*2 / M4*25mm short screw*2
12	Tile Series TV and Ethernet Outlet 2.1	MPVT-CE-NP.17 MPVT-CE-NP.18	Panel*1 / Instruction manual card*1 / M4*40mm long screw*2 / M4*25mm short screw*2
13	Tile Series Universal Socket 2.1	MPST-U10-NP.17 MPST-U10-NP.18	Panel*1 / Instruction manual card*1 / M4*40mm long screw*2 / M4*25mm short screw*2
14	Tile Series HDMI and USB Outlet 2.1	MPST-HU-NP.17 MPST-HU-NP.18	Panel*1 / Instruction manual card*1 / M4*40mm long screw*2 / M4*25mm short screw*2
15	Tile Series 1 Port Telephone Wall Jack 2.1	MPPT-1T-NP.17 MPPT-1T-NP.18	Panel*1 / Instruction manual card*1 / M4*40mm long screw*2 / M4*25mm short screw*2
16	Tile Series 1 Port Ethernet Wall Outlet 2.1	MPET-1E-NP.17 MPET-1E-NP.18	Panel*1 / Instruction manual card*1 / M4*40mm long screw*2 / M4*25mm short screw*2
17	Tile Series 1 Port Coax Cable TV-F-Type Wall Outlet 2.1	MPVT-1F-NP.17 MPVT-1F-NP.18	Panel*1 / Instruction manual card*1 / M4*40mm long screw*2 / M4*25mm short screw*2
18	Tile Series 1 Port Cable TV Wall Outlet 2.1	MPVT-1C-NP.17 MPVT-1C-NP.18	Panel*1 / Instruction manual card*1 / M4*40mm long screw*2 / M4*25mm short screw*2
19	Tile Series EU Socket 2.1	MPST-G16-NP.18	Panel*1 / Instruction manual card*1 / M4*40mm long screw*2 / M4*25mm short screw*2

20	Tile Series Waterproof EU Power Socket 2.1	MPST-G16P-NP.18	Panel*1 / Instruction manual card*1 / M4*40mm long screw*2 / M4*25mm short screw*2/Waterproof silicone gasket*1
21	Tile Series USB and Type-C Outlet 2.1	MPST-UT-NP.18	Panel*1 / Instruction manual card*1 / M4*40mm long screw*2 / M4*25mm short screw*2
22	Tile Series Shaver Socket 2.1	MPST-SH-NP.18	Panel*1 / Instruction manual card*1 / M4*40mm long screw*2 / M4*25mm short screw*2
23	Tile Series Italy Socket 2.1	MPST-I16-NP.18	Panel*1 / Instruction manual card*1 / M4*40mm long screw*2 / M4*25mm short screw*2
24	Tile Series Svizzera Socket 2.1	MPST-S10-NP.18	Panel*1 / Instruction manual card*1 / M4*40mm long screw*2 / M4*25mm short screw*2
25	Tile Series UK Switch Socket 2.1	MPST-UK13-NP.15	Panel*1 / M4*40mm long screw*2 / M4*25mm short screw*2

◆◆ Copyright Statement

HDL has all the intellectual property rights to this document and contents thereof. Reproduction or distribution for third parties are prohibited without written authorization from HDL. Any infringement of HDL's intellectual property rights will be investigated the legal liability.

The contents of this document will be updated as the updates of product versions or other reasons. Unless otherwise agreed upon, this document is to be used as a guidance only. All the statements, information and recommendations in this document makes no warranty expressed or implied.

© 2025 HDL Automation Co., Ltd. All rights reserved.

Update History:

The form below contains the information of every update. The latest version contains all the updates of all former versions.

Version	Update Information	Date
V1.0	Initial release	April 17, 2025
V1.1	Add relevant information about MPST-UK13-NP.15	April 1,2026

◆◆ Technical Support

E-mail: hdltickets@hdlautomation.com

Website: <https://www.hdlautomation.com>