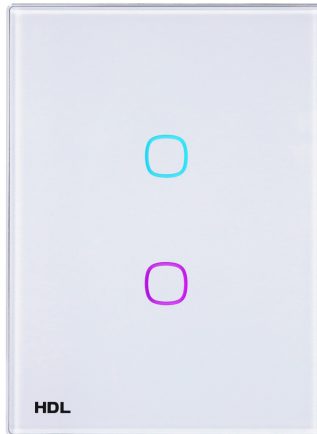


# iTouch Series 2 Buttons Touch Panel US

## Datasheet



HDL-MPT2.46-A



Please scan the QR code above to check the latest version of datasheet!

Before using this product, please read this datasheet carefully and keep it properly!

Document Version: C

---

## ◆◆ Overview

**iTouch Series 2 Buttons Touch Panel US** is a multi-function control panel for home automation which supports various key control types. Every touch button is embedded with RGB LED indicator that can be customized via HDL Buspro Setup Tool.

### Key functions:

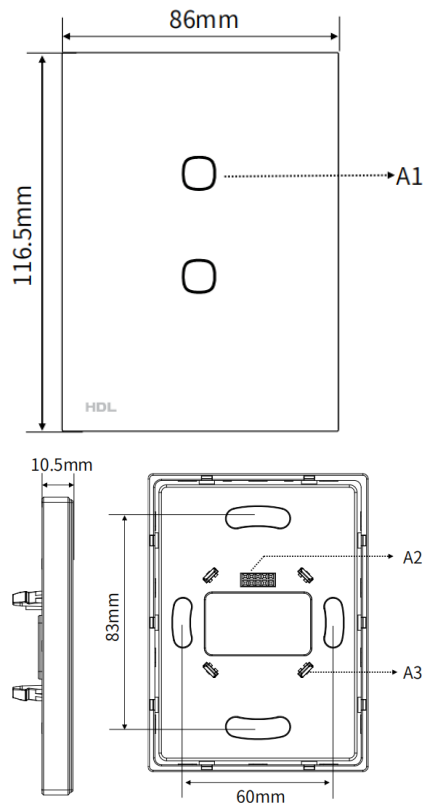
- Key modes: Single on/off, Single on, Single off, Combination on, Combination off, Combination on/off, Short/long press, Momentary, Short press/long press.
- Key control types: Scene, Sequence, Time switch, Universal switch, Single channel lighting control, Broadcast scene, Broadcast channel, Curtain switch, GPRS control, Panel control, Security module, Music control, etc.
- Bus voltage detection
- Adjustable status indicator color and brightness.
- Supports HDL Buspro online upgrading.
- Selectable touch panel color

## ◆◆ Appearance

A1. Touch button function: On/off, dimming.

A2. Communication interface: Connects to panel power interface.

A3. Mounting slot: Connects to panel power interface.



## ◆◆ Technical Data

Basic Parameters	
Rated voltage	12~30V DC
Rated current	20mA/24V DC
Communication	HDL Buspro
Cable diameter of Buspro terminal	0.6-0.8mm
External Environment	
Working temperature	-5°C~45°C
Working relative humidity	≤90%
Storage temperature	-20°C~60°C
Storage relative humidity	≤93%
Specifications	
Dimensions	86×116.5×10.5(mm)
Net weight	133g
Housing material	Glass, PC, ABS, Aluminum
Installation	Wall box
Protection rating (Compliant with EN 60529)	IP20
Approved	CE, RoHS

## ◆◆ Safety Precaution

### Danger:

Please do not privately disassemble or replace any parts of the product. Otherwise, it may cause mechanical fault, electric shock, fire or personal injuries.

### Warning:

- The installation and testing for the product must be carried out by HDL Automation Co., Ltd. (hereinafter referred to as HDL) or its appointed service agencies. The electric construction shall comply with local laws and safety regulations.
- HDL will not be responsible for any consequence caused by the inexpert or faulty installation and wiring methods, which are not in accordance with the instructions contained in this datasheet.
- Please contact HDL after-sales departments or our designated service agencies for your maintenance service. Product failures caused by private disassembly are not subject to the warranty.

### Caution:

- Before performing any installation or disassembly procedures, any maintenance or cleaning procedures on the device, it

is crucial to disconnect the device from all voltage sources. This step is necessary to ensure the safety of the technician and prevent any potential damage to the device.

- Do not use corrosive liquid to wipe the device body, especially the interface, so to avoid damage to the device.
- Do not wipe the device with a damp cloth.
- Prior to performing maintenance or cleaning on the device, disconnect the device from all voltage sources, to avoid electric leakage and electric shock.
- Buspro cable: CAT5E or HDL Buspro cable.
- For Buspro connection, a hand-in-hand connection is recommended.
- After all of the cables are terminated, check for correct and good terminations.
- It is a MUST to install the device with wall box.
- Touch performance - Touch panel sensitivity should be adjusted after installation.

## ◆◆ Installation

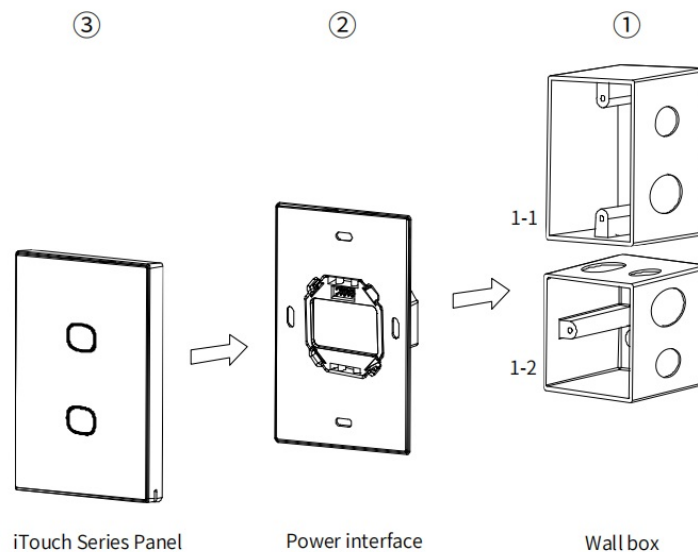
**Note:** Before installation, if the bracket has not been separated from the panel assembly, please refer to the disassembly instructions.

**WARNING:** Disconnect the power supply before installation and do not operate with electricity.

**Step 1.** Install the wall box (1-1 or 1-2) in the wall.

**Step 2.** Fix the power interface onto the wall box with screws.

**Step 3.** Hold the edge of the panel, and insert the panel in the slots of power interface vertically.



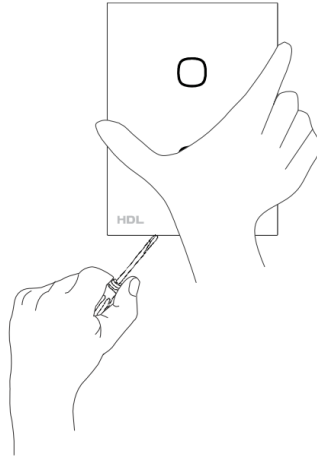
## ◆◆ Disassembly

**Warning:** Before performing any disassembly procedures on the device, it is crucial to disconnect the device from all voltage

sources. This step is necessary to ensure the safety of the technician and prevent any potential damage to the device.

**Step 1.** Insert a straight screwdriver into the gap between the panel and power interface.

**Step 2.** Hold the panel, pry up the panel gently and take down the panel.



## ◆◆ Operation

**Address modification:** Press any button for 15s, all the backlights will flash, the address of this device can be modified in HDL Buspro Setup Tool: submenu “address management→ address modify”. Then press any button to exit.

## ◆◆ Packing List

- Panel\*1

## ◆◆ Copyright Statement

HDL has all the intellectual property rights to this document and contents thereof. Reproduction or distribution for third parties are prohibited without written authorization from HDL. Any infringement of HDL’s intellectual property rights will be investigated the legal liability.

The contents of this document will be updated as the updates of product versions or other reasons. Unless otherwise agreed upon, this document is to be used as a guidance only. All the statements, information and recommendations in this document makes no warranty expressed or implied.

© 2025 HDL Automation Co., Ltd. All rights reserved.

### **Update History:**

The form below contains the information of every update. The latest version contains all the updates of all former versions.

Version	Update Information	Date
---------	--------------------	------

V1.0	Initial release	August 1, 2025
------	-----------------	----------------

## ◆◆ Technical Support

E-mail: [hdltickets@hdlautomation.com](mailto:hdltickets@hdlautomation.com)

Website: <https://www.hdlautomation.com>